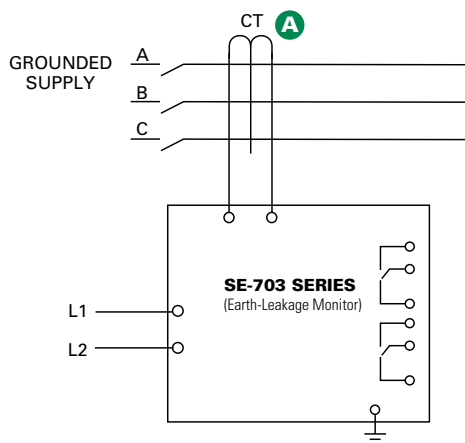


SE-703 SERIES

Earth-Leakage Monitor



Simplified Circuit Diagram



Ordering Information

| ORDERING NUMBER | CONTROL POWER |
|-----------------|-----------------|
| SE-703-0U-0x | 120/240 Vac/Vdc |
| SE-703-0D-0x | 12/24 Vdc |
| SE-703-0T-0x | 48 Vdc |
| SE-703-03-0x | 24 Vac |

Note: x=0 for AS/NZS 2081:2011 compliance (fail-safe output contacts)
x=2 for AS/NZS 2081:2002 compliance (selectable fail-safe or non-fail-safe output contacts)

| ACCESSORIES | REQUIREMENT |
|-----------------------|-------------|
| EFCT Series | Required |
| PGA-0500 | Optional |
| PMA-55 | Optional |
| PMA-60 | Optional |
| SE-EFVC Voltage Clamp | Optional |




Description

The SE-703 is a microprocessor-based earth-fault relay for resistance- and solidly earthed systems. It offers sensitive earth-fault detection as low as 25 mA and can be used on systems with significant harmonic content. The SE-703 provides feeder-level protection or individual-load protection. The output contacts can be connected for use in protective tripping circuits or in alarm indication circuits. The analog output can be used with a PLC or a meter. The SE-703 is specifically designed to be AS/NZS 2081 compliant to either 2011 or 2002 (see ordering options).

Features & Benefits

| FEATURES | BENEFITS |
|--|---|
| Adjustable pickup (25-500 mA) | Adjustable trip setting provides a wide range of low-level protection and system coordination |
| Adjustable time delay (INST-500 ms) | Adjustable trip delay allows quick protection and system coordination |
| Output contacts | 2 Form C ground-fault output contacts for operation of separate annunciation and trip circuits |
| Analog output (0-5V) | Allows for connecting an optional meter (PGA-0500) or control system |
| CT-Loop monitoring | Alarms when CT is not connected |
| Contact operating mode | Fail-safe operating mode for undervoltage applications, optional non-fail-safe mode available |
| Harmonic filtering | Eliminates nuisance tripping |
| Non-volatile trip memory | Retains trip state while de-energized to simplify troubleshooting |
| Microprocessor based | No calibration required, saves maintenance cost |
| Universal power supply | Allows operation in application where one side of PT is faulted, provides flexibility for numerous applications |
| Global certifications | Compliant with US, Canadian, European, and Australian standards for applications in almost any country |

Accessories

- A**  **EFCT Series Ground-Fault Current Transformer**
Required zero-sequence current transformer specifically designed for low-level detection.
-  **PGA-0500 Analog % Current Meter**
Optional panel-mounted analog meter displays ground-fault current as a percentage of the set-point or 5 A.
-  **PMA-60 Series – Mounting Adapter**
Required when panel mounting for AS/NZS 2081:2011 compliance

Specifications

| | |
|-------------------------------|---|
| IEEE Device Numbers | Ground fault (50G/N, 51G/N) |
| Input Voltage | See ordering information |
| Dimensions | H 75 mm (3.0"); W 55 mm (2.2"); D 115 mm (4.5") |
| Trip Level Settings | 25-500 mA |
| Trip Time Settings | INST-500 ms |
| Contact Operating Mode | Fail-safe (x=0 models) or selectable (x=2 models) |
| Harmonic Filtering | Standard feature |
| Test Button | Standard feature |
| Reset Button | Standard feature |
| CT-Loop Monitoring | Standard feature |
| Output Contacts | Two isolated Form C contacts |
| Approvals | CSA certified, UL Listed (E340889), CE (European Union), RCM (Australian) |
| Compliance | AS/NZS 2081:2011 (x=0 models) or AS/NZS 2081: 2002 (x=2 models) |
| Analog Output | 0-5 V |
| Conformally coated | Yes |
| Warranty | 5 years |
| Mounting | DIN, Surface (standard) Panel (with PMA-55 or PMA-60 adapter) |