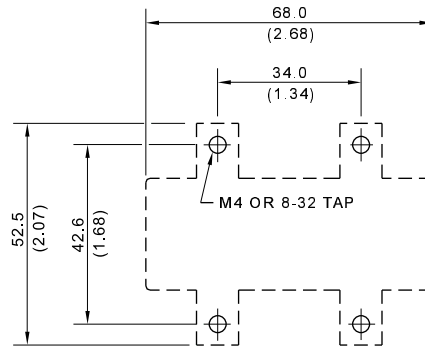
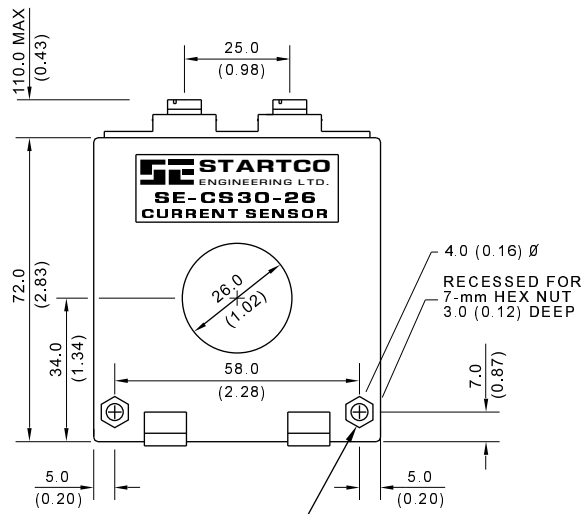


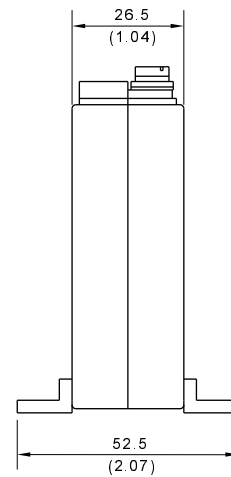
TOP



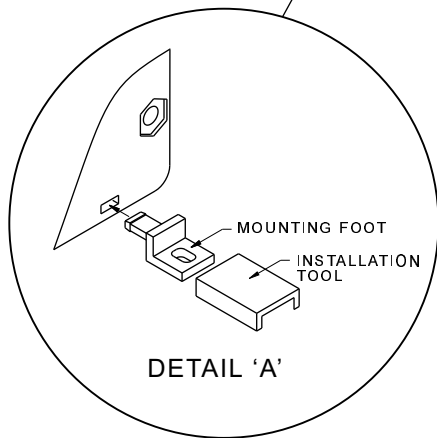
MOUNTING DETAIL



FRONT



SIDE



DETAIL 'A'

NOTES:

1. DIMENSIONS IN MILLIMETRES (INCHES).
2. PRESS MOUNTING FEET IN PLACE USING INSTALLATION TOOL PROVIDED (DETAIL 'A')
3. MOUNTING SCREWS: M4 x 12 OR 8-32 x 0.50.