



Expertise Applied | Answers Delivered



SOLAR PRODUCTS CATALOG



1500 V DC PRODUCTS

OVERVOLTAGE PROTECTION

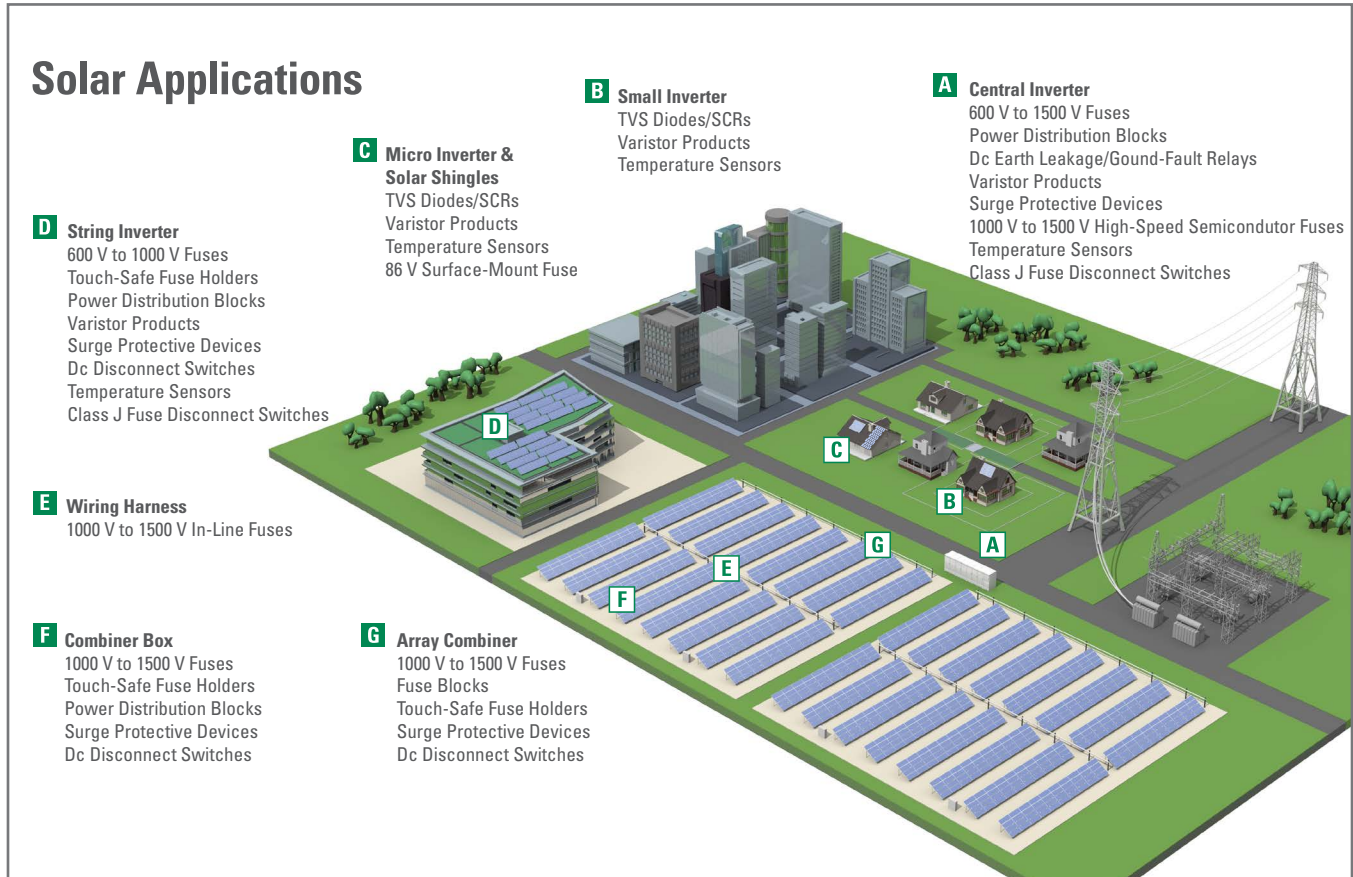
IN-LINE FUSES

PROTECTION RELAYS

SURGE PROTECTION

SWITCH PRODUCTS

Solar-Rated Products by Application



With over 60 million devices installed in photovoltaic power systems, Littelfuse understands the global challenges of the solar market. Littelfuse offers numerous circuit-protection products that are uniquely suited to protect the equipment and systems subject to the harsh environments of standard photovoltaic installations.



Look for this logo to indicate products that are used in solar applications. Visit our website Littelfuse.com/Solar for the latest updates on approvals, certifications, and new products.

Solar Products

TABLE OF CONTENTS

1 1500 V RATED PRODUCTS

SPXV String Fuses.....	2
SPXI In-Line Fuses.....	4
SPNH Fuses	6
LFXV15 Series Fuse Block & Cover.....	12
LFPXV Touch-Safe Fuse Holders.....	15
LFNH Fuse Block.....	18



2 1000 V RATED PRODUCTS

SPFJ High Amperage Fuses.....	22
SPF String Fuses.....	23
SPFI In-Line Fuses	24
LFJ1000 Open-Face Fuse Blocks.....	25
LPHV POWR-Safe Fuse Holders.....	26
Bus Bar System.....	27



3 600 V RATED PRODUCTS

Bus Bar System.....	27
LPSC/LPSM POWR-Safe Dead-Front Fuse Holders.....	28
KLKD 10 x 38 mm (Midget) Fuses.....	29
POWR-BLOKS Distribution Blocks and Covers	33



4 100 V OR LESS RATED PRODUCTS

400PV Series – 2410 Photovoltaic Fuse (86 V Dc Surface-Mount Fuse).....	34
---	----



5 OVERVOLTAGE & SWITCHING ELECTRONIC PRODUCTS

IGBT Power Modules	37
Transient Voltage Suppression (TVS) Diodes.....	38
Overvoltage Suppression Varistors (MOV).....	39



6 PROTECTION RELAY PRODUCTS

SE-601 Ground-Fault Monitor.....	40
EL731 Sensitive Earth-Leakage Relay.....	41



7 SURGE PROTECTIVE DEVICE PRODUCTS

SPD2 PV Series Surge Protective Device.....	42
---	----



8 SWITCH PRODUCTS

LS7 Series 1500 V Dc Disconnect Switches.....	44
LS6R Series 1500 V Dc Disconnect Switches	52
LS6 Series 1000 V Dc Disconnect Switches.....	56
LM3030 30 A Class J Fuse Disconnect Switches	64
LM3060 60 A Class J Fuse Disconnect Switches	69
LM3100 100 A Class J Fuse Disconnect Switches	74
LM3200 200 A Class J Fuse Disconnect Switches	79



Solar Products

SPXV SERIES IN-LINE SOLAR FUSE

1500 V dc • 1–60 A



1



Description

The Littelfuse SPXV solar string fuse has been specifically designed for the protection of photovoltaic (PV) systems. It is available in multiple ampere ratings to match various requirements in a range of applications.

Features/Benefits

- Offers higher amperage protection in less space for increased design flexibility
- Full range, fast-acting fuse helps eliminate common low-overload faults
- Up to 50,000 A interrupting rating

Applications

- Inverters
- Combiner boxes

Recommended Accessories

1–32 Amperes

Fuse Holder: LFPXV001

Fuse Clips: 125003

35–60 Amperes

Fuse Block and Cover: LFXV15060-BC

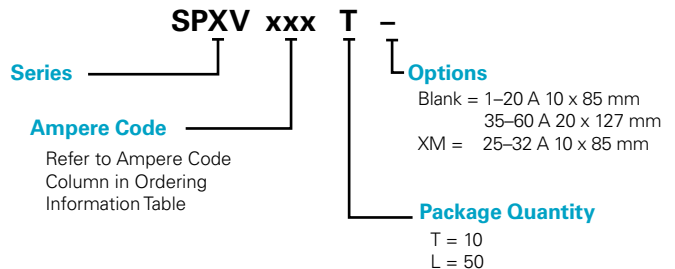
Web Resources

Download technical resources at: [Littelfuse.com/spxv](https://www.littelfuse.com/spxv)

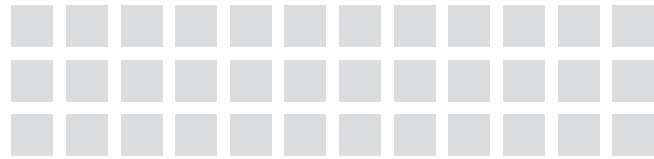
Specifications

Voltage Rating	1500 V dc
Amperage Rating	1, 2, 2.25, 2.5, 3, 3.5, 4, 4.5, 5, 6, 8, 10, 12, 15, 16, 20, 25, 30, 32, 35, 40, 45, 50, 55, 60 A
Interrupting Rating	SPXV 1 A–20 A: 30 kA (50 kA Self-Certified) SPXV 35 A–60 A: 50 kA SPXV-M 25 A–32 A: 50 kA
Time Constant	≤ 1ms
Material	Body: melamine Caps: copper alloy (nickel plated)
Approvals	UL 248-19 Listed (File: E339112)
Applicable Standards	UL 248-1, 248-19 IEC 60269-6
Environmental	RoHS Compliant REACH
Country of Origin	Mexico

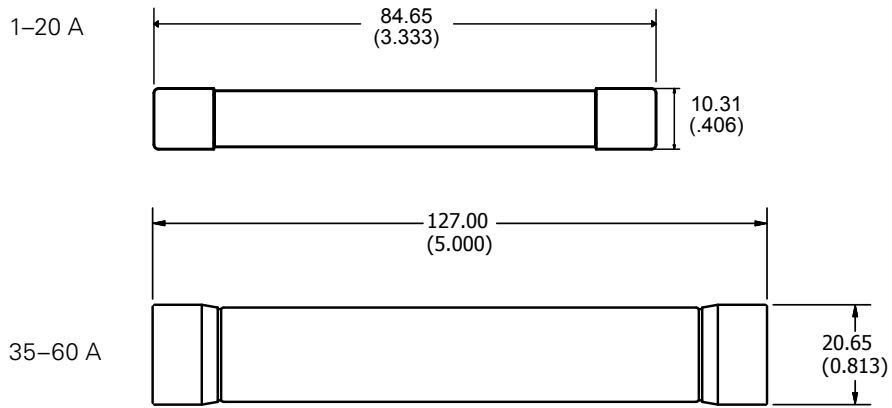
Part Numbering System



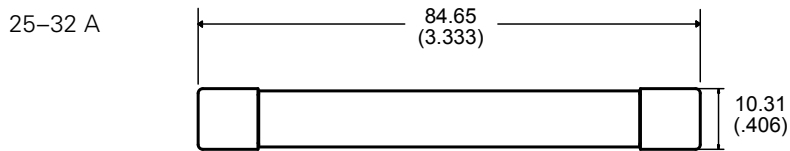
SERIES	AMPERAGE	PACKAGE QUANTITY	CATALOG NUMBER	ORDERING NUMBER
SPXV	6	10	SPXV006	SPXV006.T
SPXV	20	50	SPXV020	SPXV020.L
SPXV	32	10	SPXV032-M	SPXV032.TXM
SPXV	60	10	SPXV060	SPXV060.T



SPXV Dimensions mm (in)



SPXV-M Dimensions mm (in)



Solar Products

SPXI SERIES IN-LINE SOLAR FUSE

1500 V dc • 1–60 A



1

Description

The Littelfuse SPXI solar fuse is specifically designed for the protection of photovoltaic (PV) systems. It integrates into an in-line assembly within a wire harness and can be electrically insulated by either overmolding or using heat-shrink.

Littelfuse offers multiple ampere ratings to match specific requirements in a variety of applications.

Features/Benefits

- Offers higher amperage protection in less space for increased design flexibility
- One-piece cap design, without joints, offers easier wire crimping and more streamlined molding
- No fuse holder required helps save space, time, and money
- 50,000 A interrupting rating

Applications

- Photovoltaic high-capacity homerun, trunk harness, and wire harness

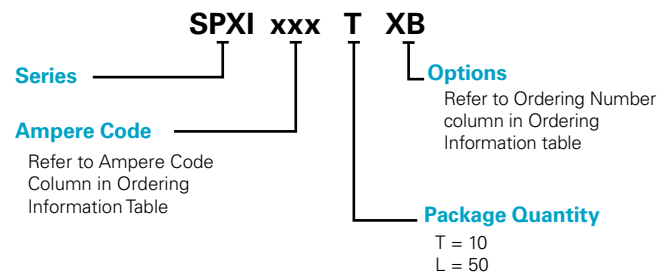
Recommended Crimping Tool

10-12 AWG: T&B Sta-Kon ERG4002
 8 AWG: T&B Sta-Kon ERG4
 6 AWG: Burndy MRC840AL

Specifications

Voltage Rating	1500 V dc
Amperage Rating	1, 2, 2.25, 2.5, 3, 3.5, 4, 4.5, 5, 6, 8, 10, 12, 15, 16, 20, 25, 30, 32, 35, 40, 45, 50, 55, 60 A
Interrupting Ratings	SPXI 1–20 A and SPXI-B 1–20 A: 30 kA SPXI 35–50 A and SPXI-B 35–60 A: 50 kA SPXI-M and SPXI-BM 25–32A: 50 kA
Time Constant	≤ 1ms
Material	Body: melamine Caps: copper alloy (nickel plated)
Approvals	UL Recognized (File: E339112) TUV (Cert: J 50495785)
Applicable Standards	UL 248-1, 248-19 IEC 60269-6 (electrically only)
Environmental	RoHS Compliant REACH
Country of Origin	Mexico
US Patent	9,564,281

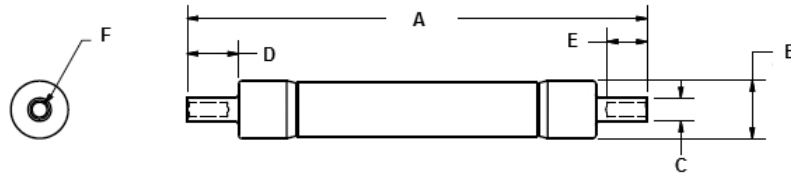
Part Numbering System



Web Resources

Download additional technical information and view the complete solar portfolio: [Littelfuse.com/spxi](https://www.littelfuse.com/spxi)

Dimensions



SERIES	AMPS	DIMENSIONS IN MM (INCHES)						WIRE RANGE
		A	B	C	D	E	F	
SPXI	2.5-4	81.41 (3.205)	10.31 (0.406)	5.59 (0.22)	12.26 (0.483)	9.53 (0.375)	3.56 (0.14)	10-12 AWG (6-4 mm ²)
	4.5-20	110.06 (4.333)	10.31 (0.406)	5.59 (0.22)	12.26 (0.483)	9.53 (0.375)	3.56 (0.014)	10-12 AWG (6-4 mm ²)
	35-50	158.04 (6.222)	20.65 (0.813)	6.7 (0.264)	14.25 (0.561)	10.25 (0.404)	4.7 (0.185)	8 AWG (10mm ²)
SPXI-B	2.5-4	85.4 (3.362)	10.31 (0.406)	6.7 (0.264)	14.25 (0.561)	10.25 (0.404)	4.7 (0.185)	8 AWG (10mm ²)
	4.5-20	114.05 (4.49)	10.31 (0.406)	6.7 (0.264)	14.25 (0.561)	10.25 (0.404)	4.7 (0.185)	8 AWG (10mm ²)
	35-60	163.58 (6.44)	20.65 (0.813)	8.5 (0.335)	17.02 (0.67)	13.72 (0.54)	5.5 (0.217)	6 AWG
SPXI-M	25-32	110.06 (4.333)	10.31 (0.406)	5.59 (0.22)	12.26 (0.483)	9.53 (0.375)	3.56 (0.014)	10-12 AWG (6-4 mm ²)
SPXI-BM	25-32	114.05 (4.49)	10.31 (0.406)	6.7 (0.264)	14.25 (0.561)	10.25 (0.404)	4.7 (0.185)	8 AWG (10mm ²)

Solar Products

SPNH SERIES SOLAR FUSE

1500 V dc • 50–400 A • NH Style



Description

The SPNH series has been designed to meet the emerging circuit protection needs for 1500 volt photovoltaic systems. These fuses provide full range protection for all potential overcurrent conditions that exist in PV applications. Suitable for PV inverter protection and array combiner applications.

Features/Benefits

- Compact NH XL sizes
- Low watt loss design
- 1500 V dc rating for high efficiency designs
- Designed to protect against a full range of overcurrents

Applications

- Inverters
- Re-combiner boxes
- Array/re-combiner application
- PV inverter dc input protection

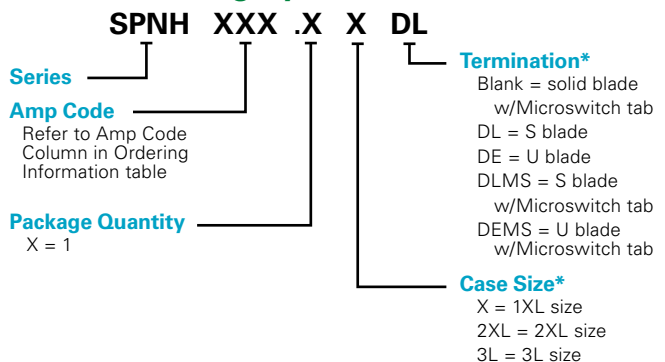
Web Resources

- Download technical documents: Littelfuse.com/SPNH

Specifications

Voltage Rating	1500 V dc
Amperage Rating	50, 63, 80, 100, 125, 160, 200, 250, 315, 350, 400
Interrupting Rating	30 kA
Time Constant	≤ 2 ms
Material	Body: ceramic End Bells: copper alloy
Approvals	UL 248-19 Listed (File: E339112)
Applicable Standards	UL 248-1, 248-19 IEC 60269-6
Environmental	RoHS Compliant

Part Numbering System



SERIES	AMP	PACKAGE QUANTITY	CATALOG NUMBER	ORDERING NUMBER
SPNH	50	1	SPNH050	SPNH050.X
SPNH	200	1	SPNH200	SPNH200.X
SPNH	400	1	SPNH400	SPNH400.XXDLMS

*Solid blade option for 1XL case size does not require a case or termination designator for the part number.

Recommended Accessories

1XL Case Size

Fuse Holder: LFNH152001CST
Fuse Terminal Covers: LFNH15200FBC

2XL Case Size

Fuse Holder: LFNH154001CST
Fuse Terminal Covers: LFNH15400FBC

3L Case Size

Fuse Holder: LFNH156301CST
Fuse Terminal Covers: LFNH15630FBC

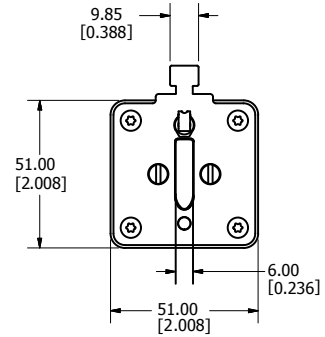
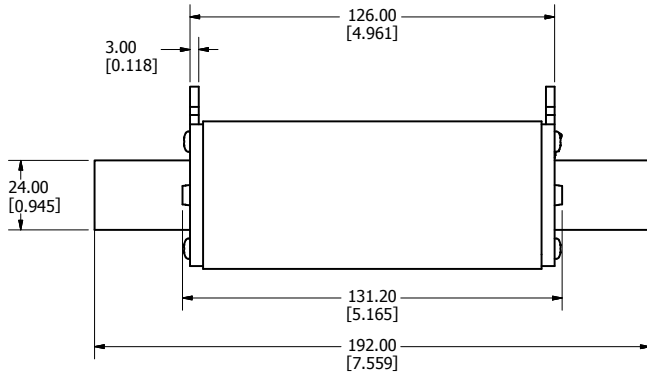
Microswitch

MSSPNH1500X

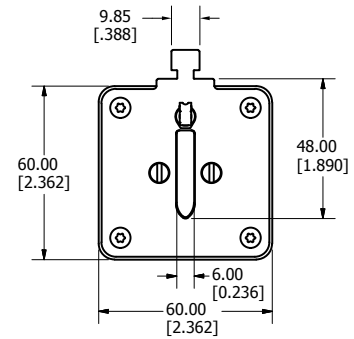
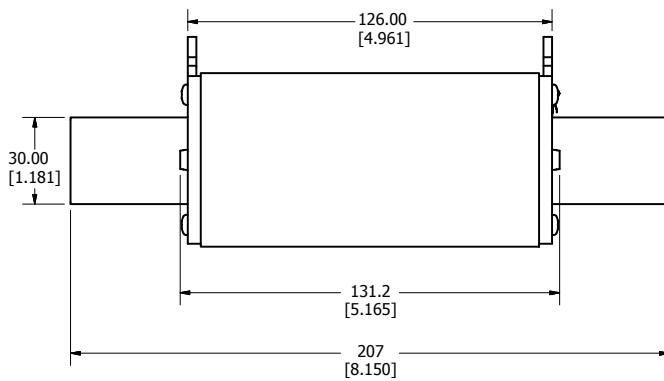


Dimensions Millimeters (in)

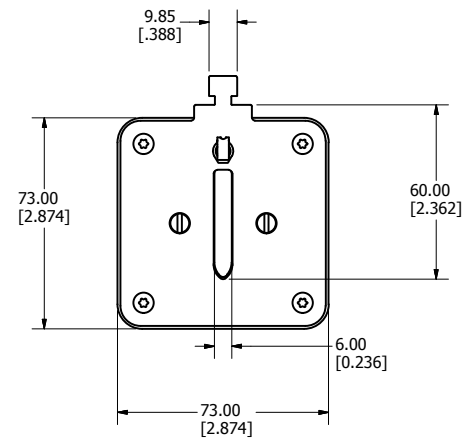
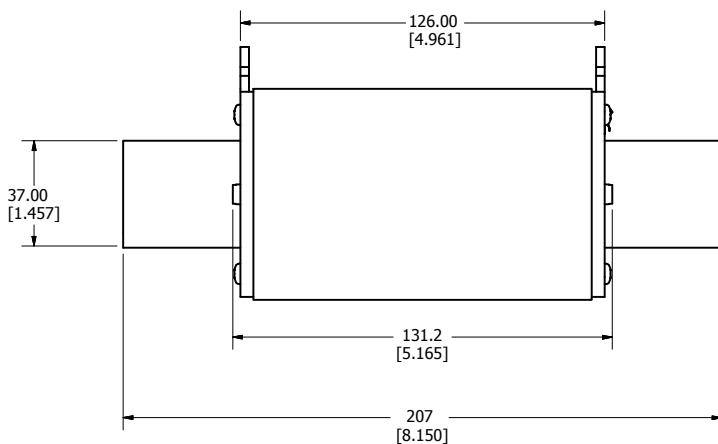
Size: 1 XL w/ Microswitch Tab



Size: 2 XL w/ Microswitch Tab



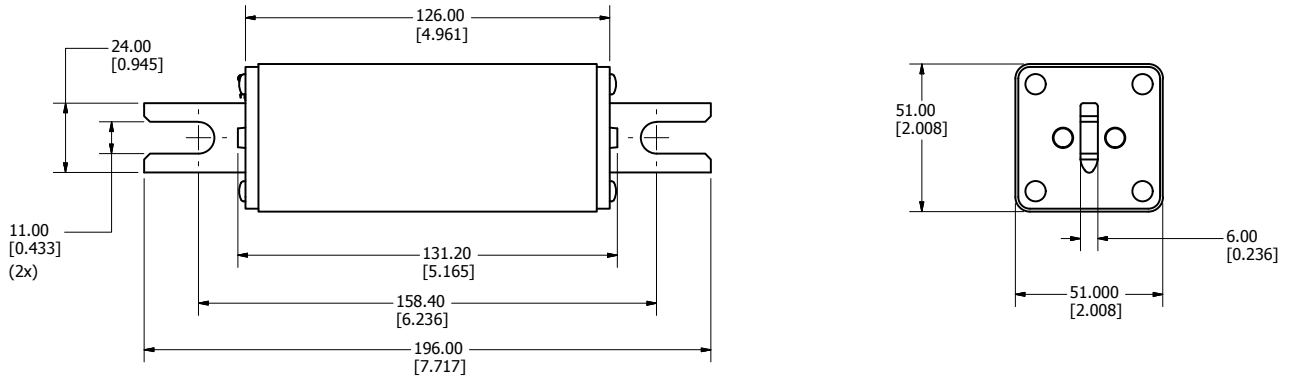
Size: 3 L w/ Microswitch Tab



Dimensions Millimeters (in)

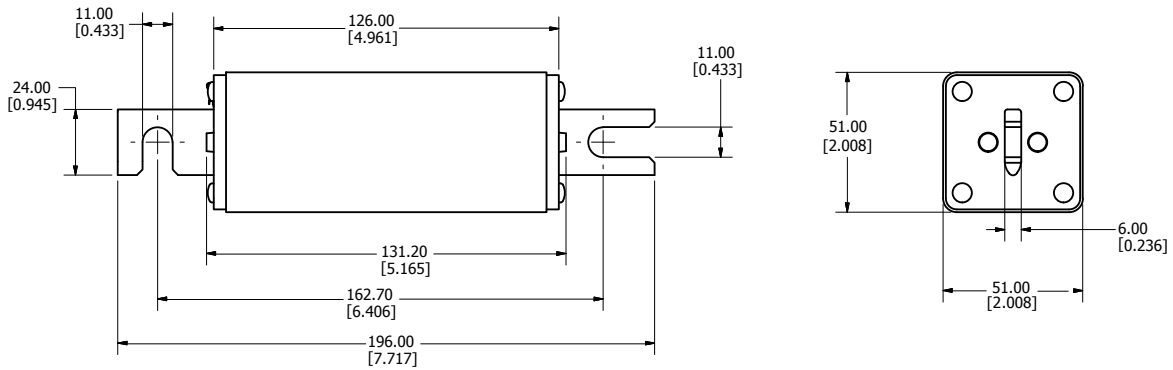
Size: 1XL DE Blade

Recommended Torque: 44 Nm*



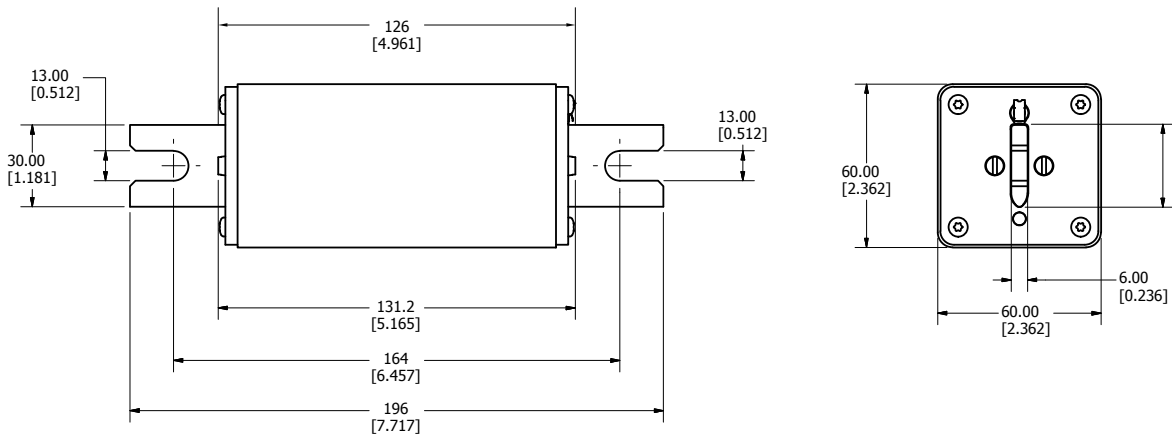
Size: 1XL DL Blade

Recommended Torque: 44 Nm*



Size: 2 XL DE Blade

Recommended Torque: 77 Nm*

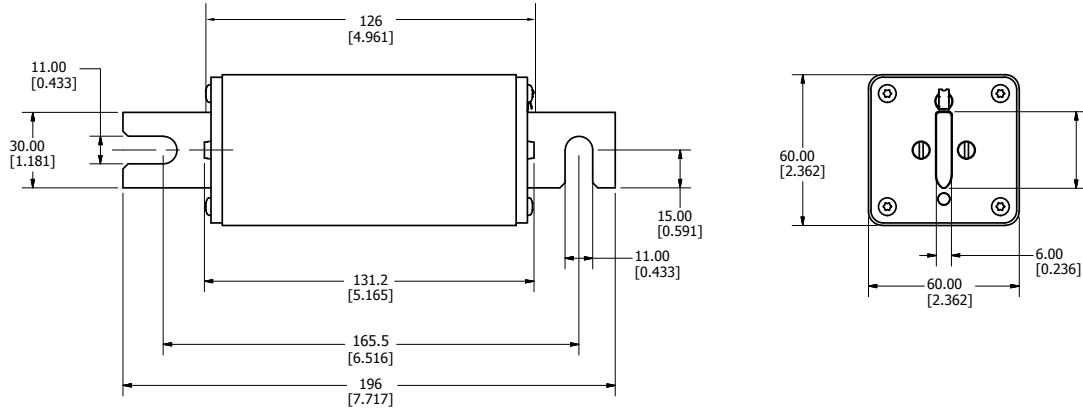


*recommended torque values are for grade 8 steel hardware

Dimensions Millimeters (in)

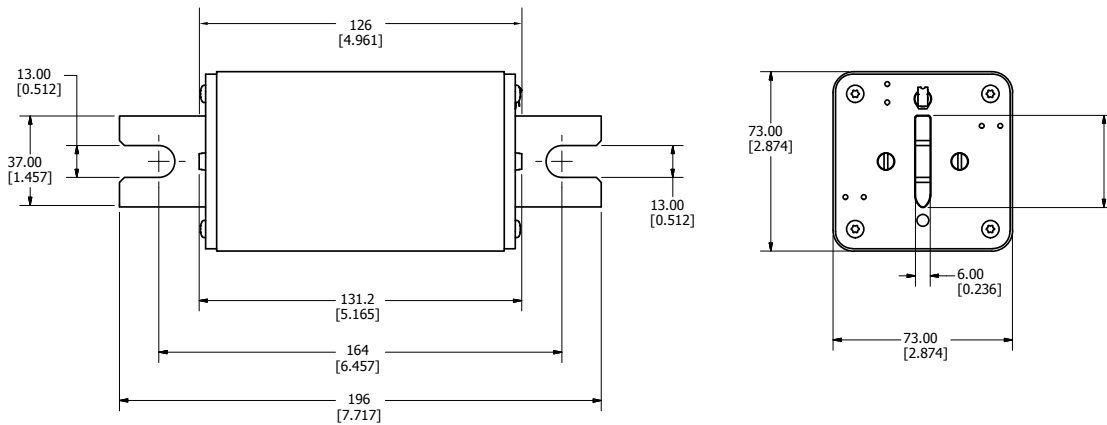
Size: 2 XL DL Blade

Recommended Torque: 44 Nm*



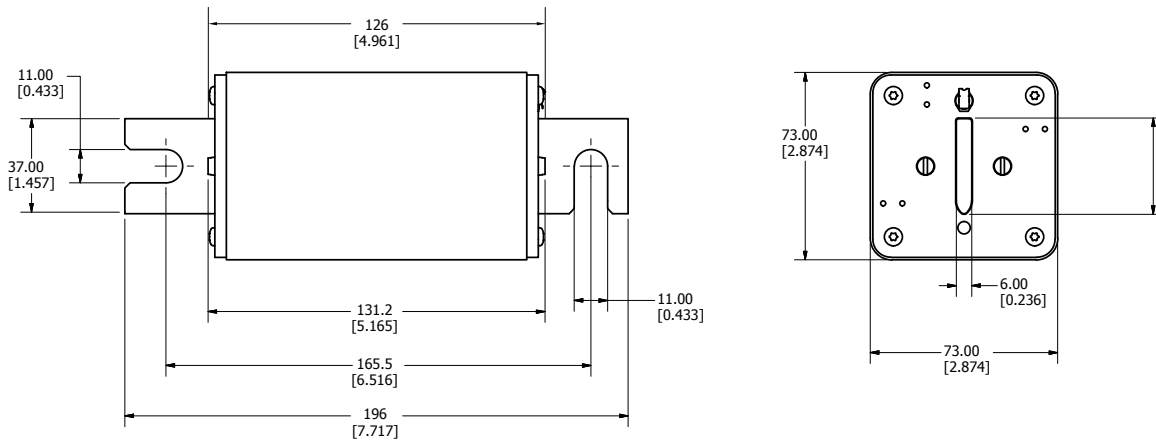
Size: 3 L DE Blade

Recommended Torque: 77 Nm*



Size: 3 L DL Blade

Recommended Torque: 44 Nm*

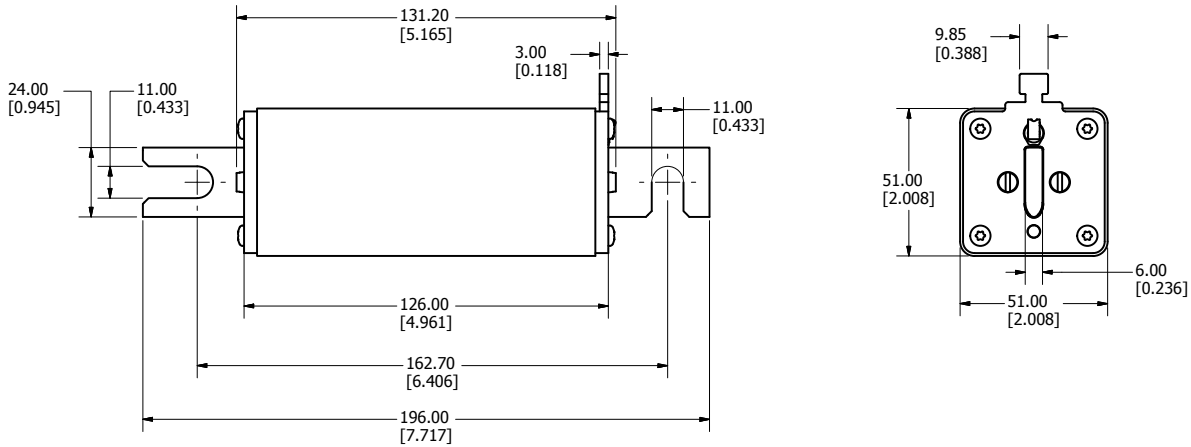


*recommended torque values are for grade 8 steel hardware

Dimensions Millimeters (in)

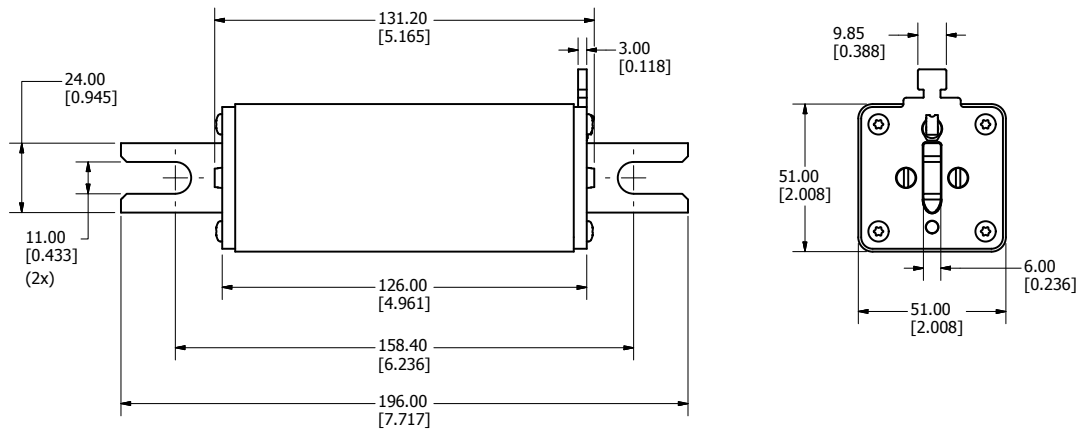
Size: 1 XL DL Blade w/ Microswitch Tab

Recommended Torque: 44 Nm*



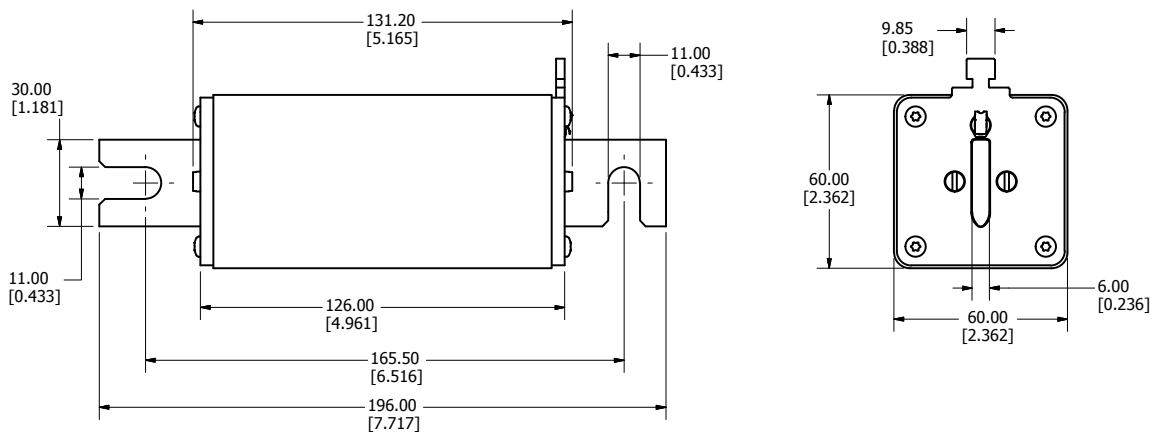
Size: 1 XL DE Blade w/ Microswitch Tab

Recommended Torque: 44 Nm*



Size: 2 XL DL Blade w/ Microswitch Tab

Recommended Torque: 44 Nm*

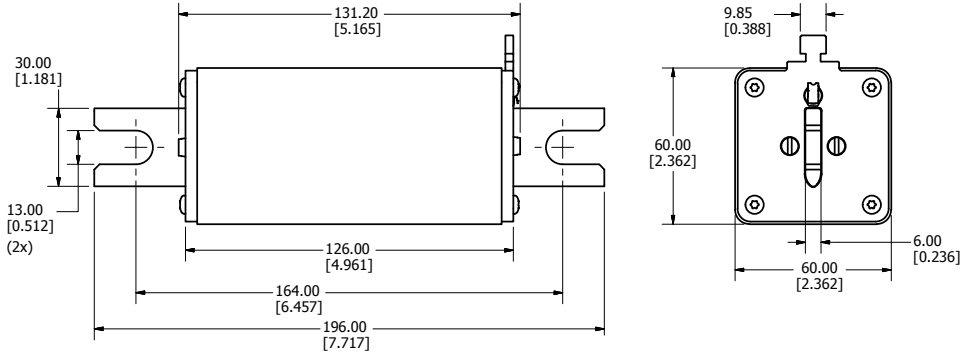


*recommended torque values are for grade 8 steel hardware

Dimensions Millimeters (in)

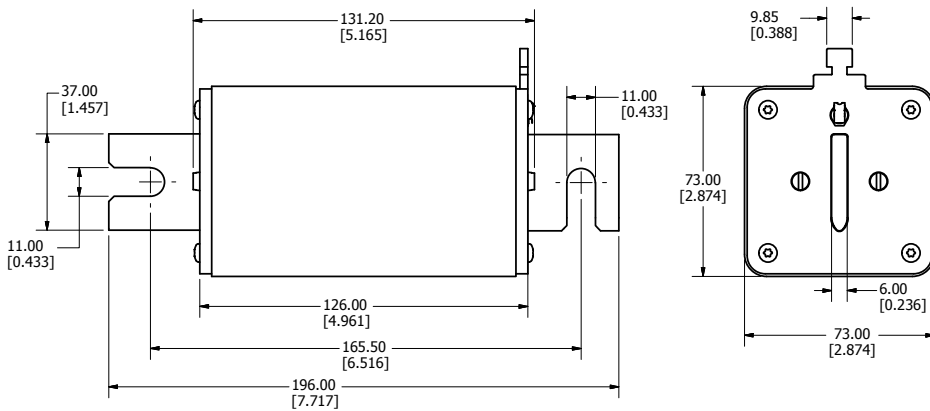
Size: 2 XL DE Blade w/ Microswitch Tab

Recommended Torque: 77 Nm*



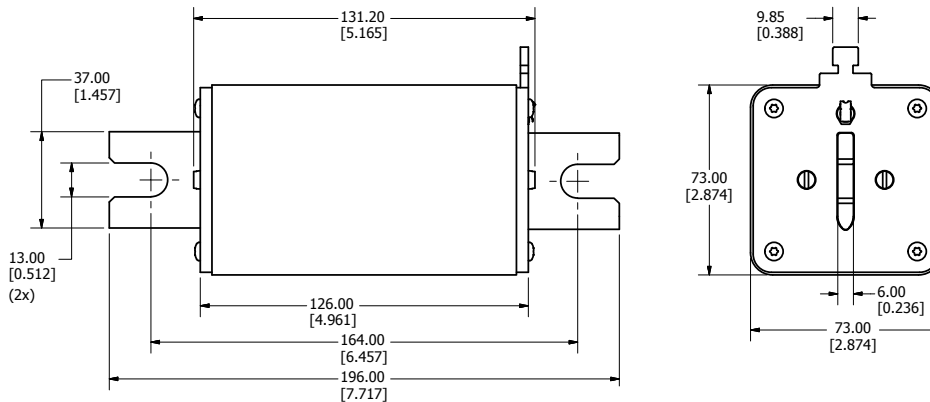
Size: 3 L DL Blade w/ Microswitch Tab

Recommended Torque: 44 Nm*



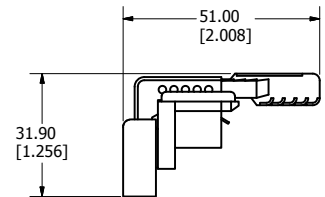
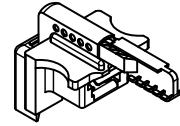
Size: 3 L DE Blade w/ Microswitch Tab

Recommended Torque: 77 Nm*



*recommended torque values are for grade 8 steel hardware

Microswitch MSSPNH1500X



1

Solar Products

LFXV15 SERIES FUSE BLOCK & COVER

1500 V • 35–60 A

REACH

1



Description

The Littelfuse LFXV15 series fuse block and cover is designed to hold 1500 V size 20 x 127 mm fuses rated 35–60 amperes. Suitable for photovoltaic systems (string and high-capacity combiner boxes) with fault currents up to 50 kA.

With available ampere ratings up to 60 A, more strings can be pre-combined in harnesses to reduce the number of inputs into combiner boxes, thereby decreasing installation time and labor costs.

Features/Benefits

- Dead-front cover design offers personnel protection
- Ventilated design keeps the fuse running cooler, even at high ambient temperatures and current ratings, to increase fuse longevity
- Narrower width accommodates more blocks in a panel to maximize space
- Designed for easy fuse removal and replacement to minimize maintenance time. No tools required
- 35 mm DIN-rail mounting option for quick assembly and installation
- Accepts both wire and busbar for added flexibility
- Positive lock feature secures the fuse puller in the block when the fuse is absent

Recommended Fuses

Littelfuse SPXV 20 x 127 mm fuses rated 35–60 amperes.

Ordering Information

VOLTAGE (V dc)	AMPERE RATING	POLES	FUSE BLOCK & COVER ORDERING NUMBER	CONNECTOR TYPE	DRIVE	TORQUE	WIRE RANGE	WIRE TYPE	
1500	60	1	LFXV15060-BC*	Box Lug	3/16 Inch Hex	5.6 N-m (50 lb-in)	2–4 AWG (35–25 mm ²)	CU only	Stranded
						2.8 N-m (25 lb-in)	6–14 AWG (16–2.5 mm ²)		

*For replacement only: Fuse Block LFXV150601C or Cover LFXV15060FBC

Specifications

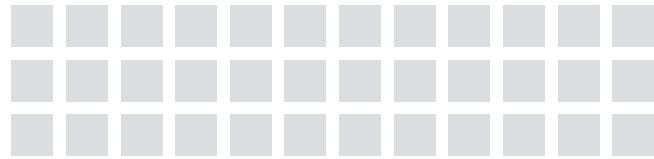
Voltage Ratings	1500 V dc
Amperage Rating	60 A
Withstand Rating	50 kA
Power Acceptance	24.1W Maximum
Fuse Size	20 x 127 mm
Material	Thermoplastic
	Fuse Clip: Tin-plated copper alloy
	Screws: Tin-plated aluminum
Operating Temperature	-55 °C to +125 °C
Flammability Rating	UL94 V-0
Temperature Stability	Base: 130 °C Cover: 140 °C
Approvals	Block: UL 4248-19 Listed (File E345481) Cover: UL Listed Fuse Accessory (File E184929)
Environmental	RoHS compliant, Lead (Pb) free, REACH
Recommended DIN Rail	TH 35-7.5 per IEC 60715

WIRE TYPE	
75 °C or 90 °C CU Only Stranded	UL Class B and Class C wire IEC Class 5 Flexible Wire (self-certified)

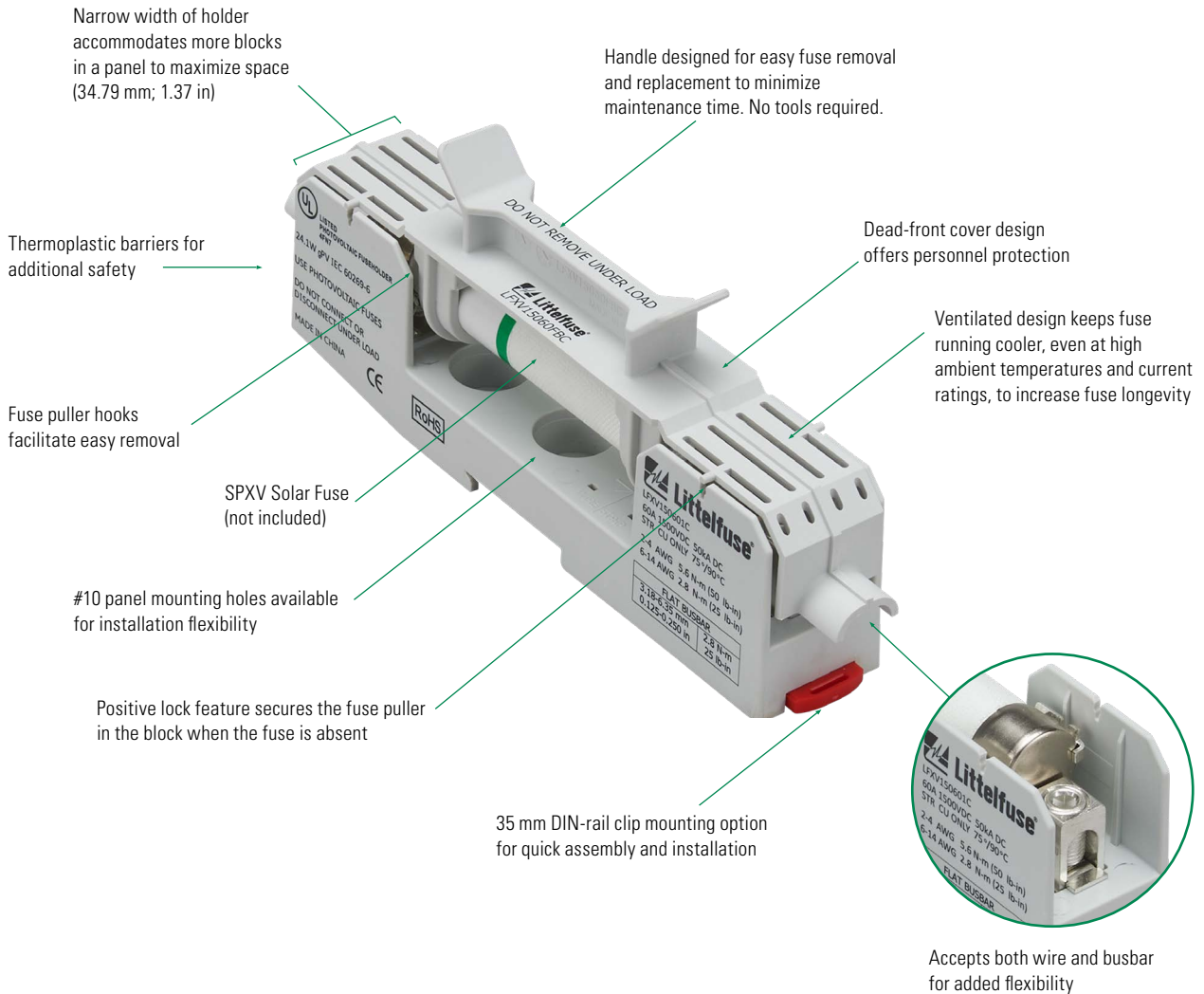
BUSBAR SPECIFICATIONS			
TERMINAL	THICKNESS	WIDTH	TORQUE
Maximum	0.250 in (6.35 mm)	0.290 in (7.37 mm)	25 lb-in (2.8 N-m)
Minimum	0.125 in (3.18 mm)	0.200 in (5.08 mm)	25 lb-in (2.8 N-m)

Web Resources

Download the complete datasheet and other technical documents: [Littelfuse.com/LFXV15](https://www.littelfuse.com/LFXV15)



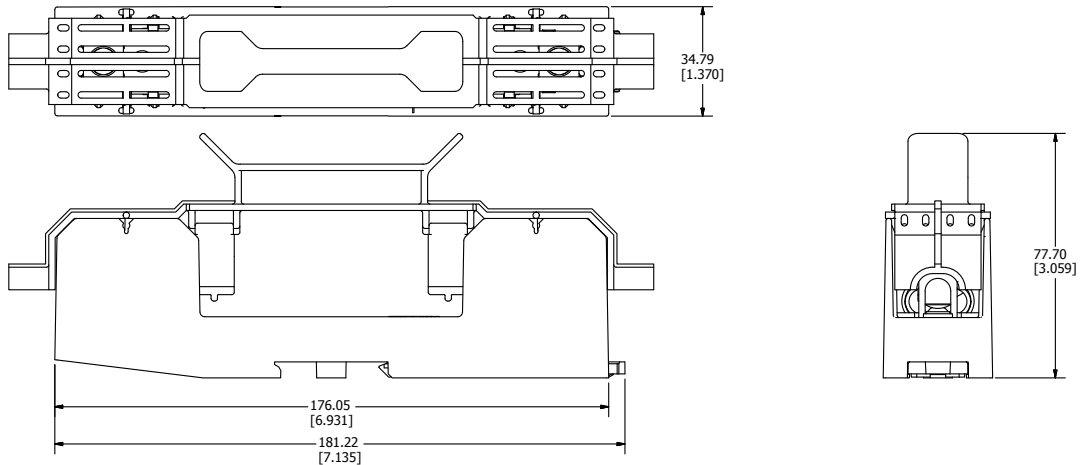
LFXV15 Features & Benefits



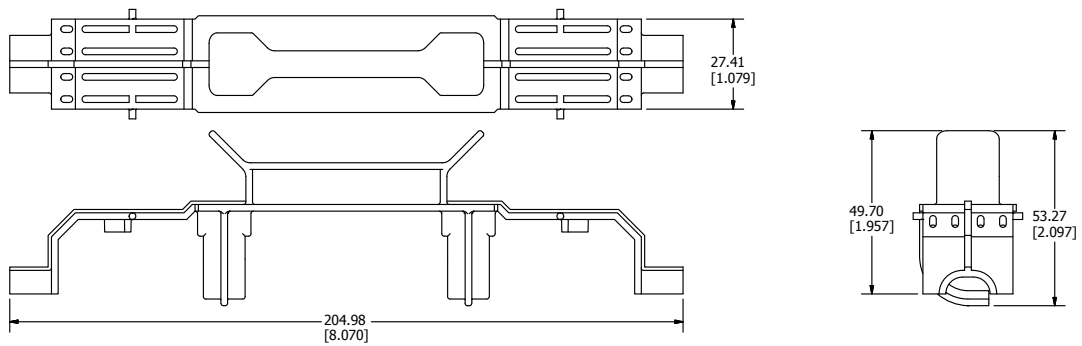
1

Dimensions Millimeters (in)

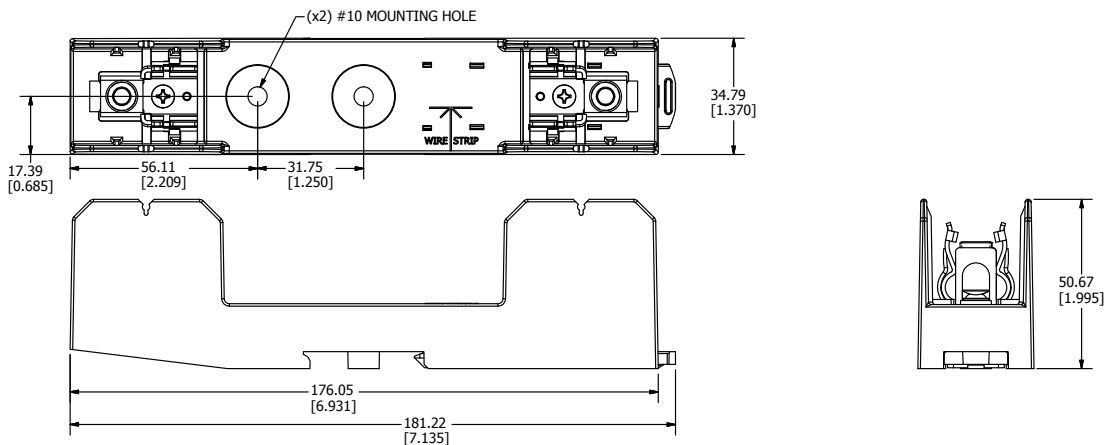
Fuse Block & Cover Assembly: LFXV15060-BC



Fuse Cover: LFXV15060FBC



Fuse Block: LFXV150601C

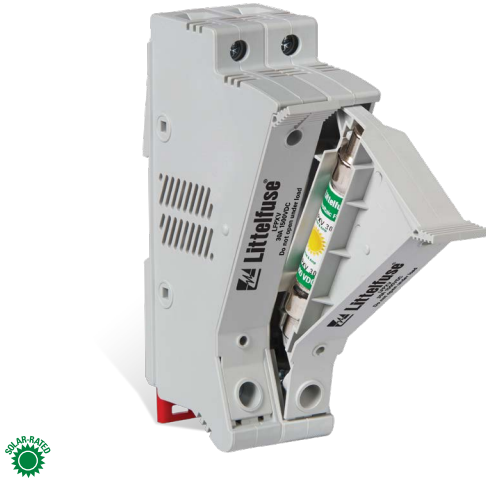


Look for this logo to indicate products that are used in solar applications. Visit our website [Littelfuse.com/Solar](https://www.littelfuse.com/Solar) for the latest updates on approvals, certifications, and new products.

Solar Products

LFPXV TOUCH-SAFE FUSE HOLDERS

1500 V • 32 A



Description

The LFPXV series touch-safe dead front fuse holders are designed to hold 1500 V 10x85 mm fuses. These fuse holders are DIN rail mountable and easily removed with no additional fuse pullers or tools.

Features & Benefits

FEATURES	BENEFITS
Finger-safe design	Maximum safety for personnel
35 mm DIN rail mountable	Easy installation in various settings
Compact design	Ultimate flexibility, space-saving
Evaluated for use with copper alloy busbars	Improve reliability

Applications

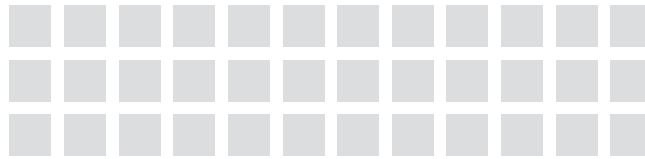
- For use with Littelfuse SPXV/SPXV-S Fuses



Look for this logo to indicate products that are used in solar applications. Visit our website littelfuse.com/solar for the latest updates on approvals, certifications, and new products.

Solar Products

LFPXV TOUCH-SAFE FUSE HOLDERS



1

Specifications

Voltage Ratings	1500 V dc
Amperage Rating	32 A
Withstand Rating	50 kA
Power Dissipation:	8W Maximum
Fuse Type	10x85 mm
Material	Thermoplastic Fuse Clip: Silver plated copper alloy Screws: Zinc plated steel
Operating Temperature	-55 °C to +125 °C
Flammability Rating	UL94 V-0
Temperature Stability	Body: 130 °C Carrier: 140 °C
Applicable Standards	UL 4248-19 Listed, IEC 60269-6
Environmental	RoHS compliant, Lead (Pb) free, REACH
Recommended DIN Rail	TH 35-7,5 per IEC 60715
Country of Origin	China

WIRE TYPE	
75 °C or 90 °C CU Only Stranded	UL Class B and Class C wire
	AlphaWire PV series Photovoltaic Wire
	IEC Class 5 Flexible Wire

BUSBAR SPECIFICATIONS			
TERMINAL	THICKNESS	WIDTH	TORQUE
Maximum	0.188 in (4.78 mm)	0.290 in (7.37 mm)	24-28 lb-in (2.71–3.16 N-m)
Minimum	0.125 in (3.18 mm)	0.200 in (5.08 mm)	

Certification & Compliance

UL	UL listed (File:E345481)
CE	EU Declaration of Conformity (File: LFPXV_200921)
TUV	TUV Certificate (R 50505296)

Accessories

Littelfuse SPXV/SPXV-S Fuses

Solar Products

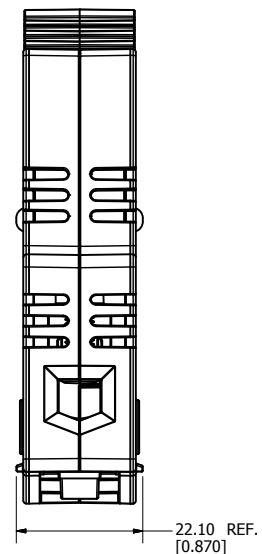
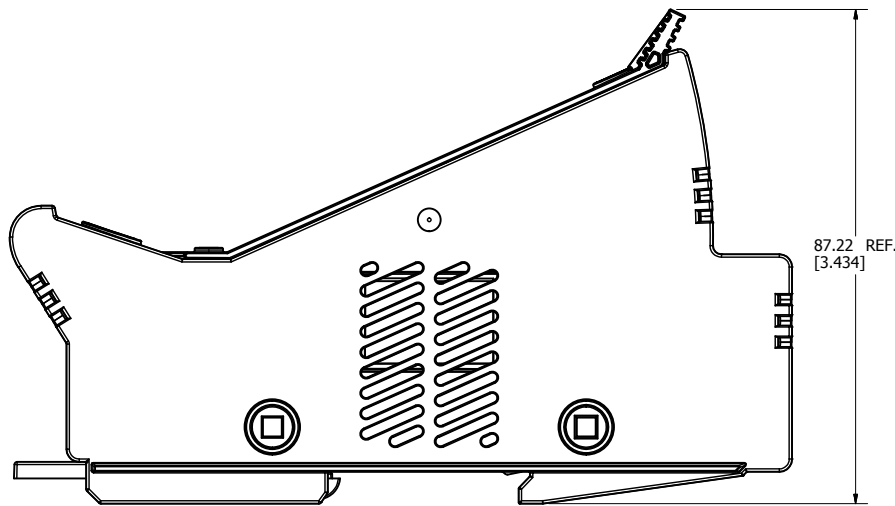
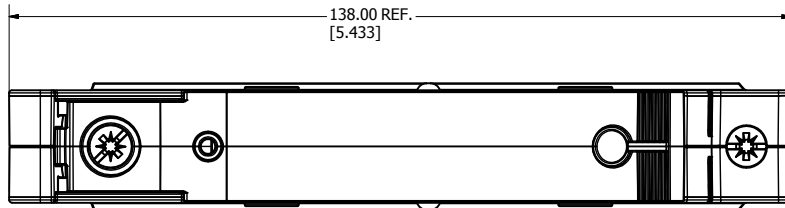
LFPXV TOUCH-SAFE FUSE HOLDERS

Ordering Information

SERIES	VOLTAGE (V DC)	POLES	CATALOG NUMBER	ORDERING NUMBER	PACK QTY	TERMINAL INFORMATION			
						TERMINAL TYPE	NUMBER OF WIRES	WIRE SIZE	TORQUE
LFPXV	1500	1	LFPXV001	LFPXV0001Z	20	Box Lug	1	4-14 AWG (25-2.5 mm ²)	24-28 lb-in (2.71-3.16 N-m)
							1	16-18 AWG (1.5-0.75 mm ²)	18-22 lb-in (2.03-2.49 N-m)
							2*	6-14 AWG (16-2.5 mm ²)	26-30 lb-in (2.94-3.69 N-m)
							2*	16-18 AWG (1.5-0.75 mm ²)	20-24 lb-in (2.26-2.71 N-m)

*Must be the same wire type and cross sectioned size

Dimensions mm (inches)





1



Description

The LFNH series fuse block is specifically designed for the Littelfuse SPNH 1500 V solar fuse. It meets UL electrical requirements, is available in multiple case sizes and has an optional cover to enclose the lugs.

Features/Benefits

- Narrow width increases space savings
- Range of amperages to match all SPNH fuse options

Specifications

Voltage Rating	1500 V dc
Ampere Rating	200, 400, 630 A
Interrupt Rating	30 kA
Termination Type	Stud Mount
Base Temp Rating	
Approvals	UL4248-1 UL4248-19 FILE: E345481 Vol. 2
Environmental	RoHS Compliant
Material	Fuse Clip: Silver-Plated Copper Spring: Zinc-Plated Steel Mounting Plate: Zinc-Plated Steel Insulator: Ceramic

Recommended Fuses

SPNH Series

Web Resources

For sample requests, downloadable CAD drawings, dimensions and other technical information:

Littelfuse.com/LFNH

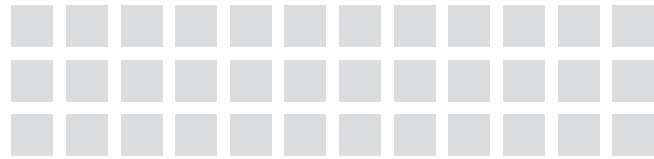
For a comprehensive overview of solar market solutions, visit:

Littelfuse.com/solar

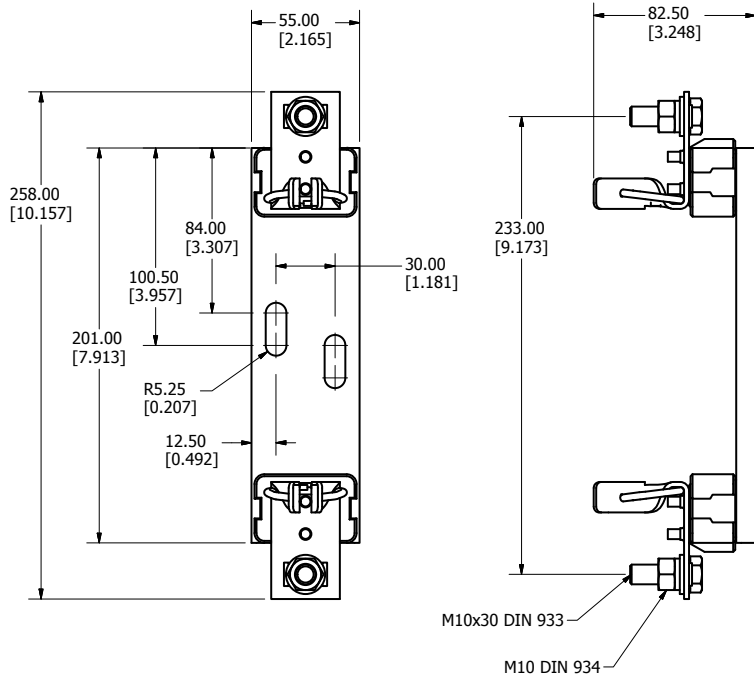
Ordering Information

AMPERAGE	ORDERING NUMBER	FUSE SIZE	RECOMMENDED TORQUE		TERMINAL COVER ORDERING NUMBER*
			TERMINAL	BASE	
200	LFNH152001CST	NH1XL	283 in-lb (32 N-m)	132 in-lb (15 N-m)	LFNH15200FBC
400	LFNH154001CST	NH2XL	283 in-lb (32 N-m)	132 in-lb (15 N-m)	LFNH15400FBC
630	LFNH156301CST	NH3L	283 in-lb (32 N-m)	132 in-lb (15 N-m)	LFNH15630FBC

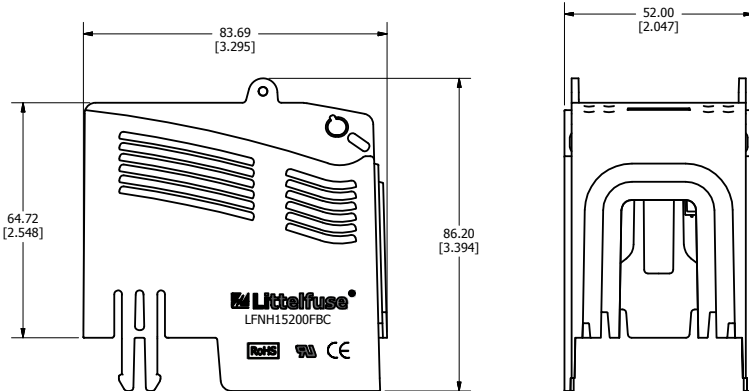
*Terminal covers sold separately



Dimensions Millimeters (in)



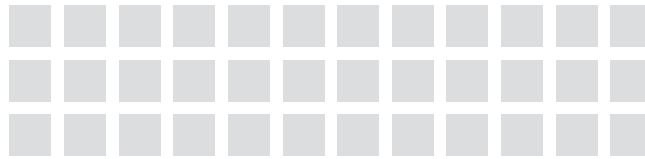
Fuse Block
LFNH152001CST



Fuse Terminal Cover
LFNH15200FBC

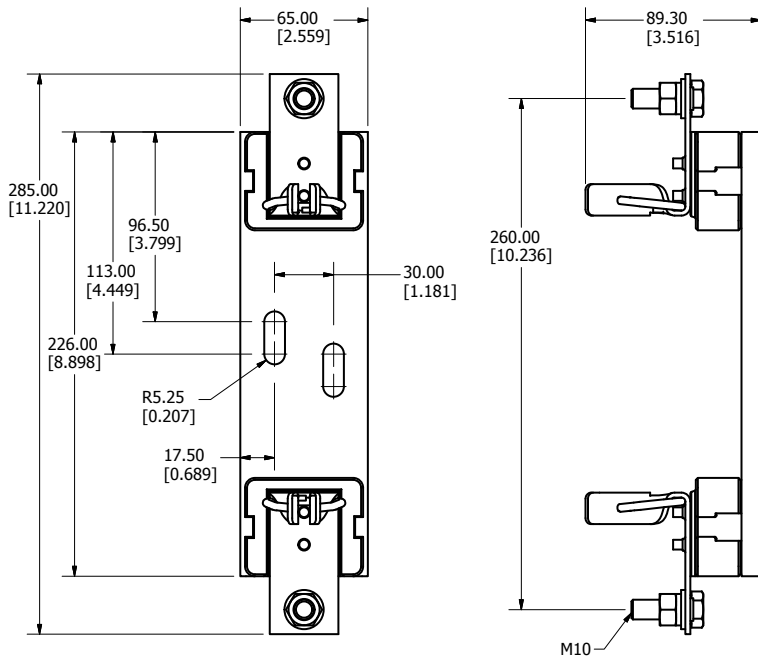
Specifications

Voltage Rating:	1500 V
Ampere Rating:	200 amperes
Flammability Rating:	UL 94 V-0
Material:	V0-rated Nylon
Packaging:	Sold in pairs

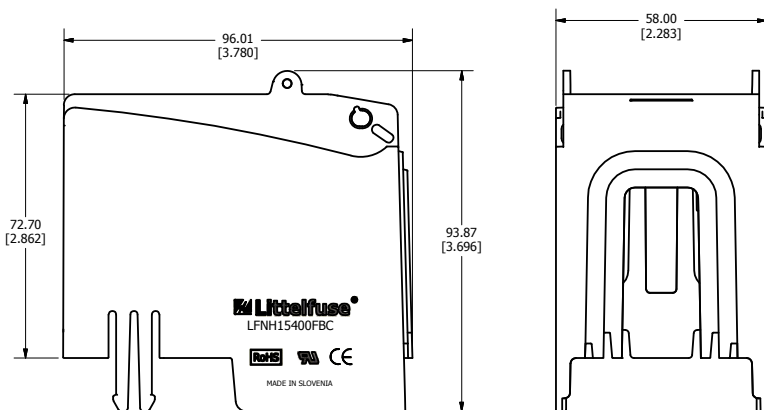


1

Dimensions Millimeters (in)



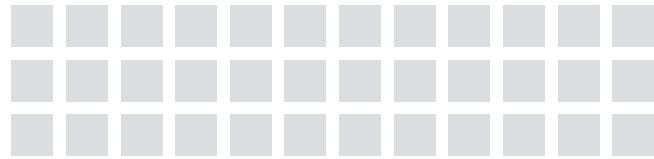
Fuse Block
LFNH154001CST



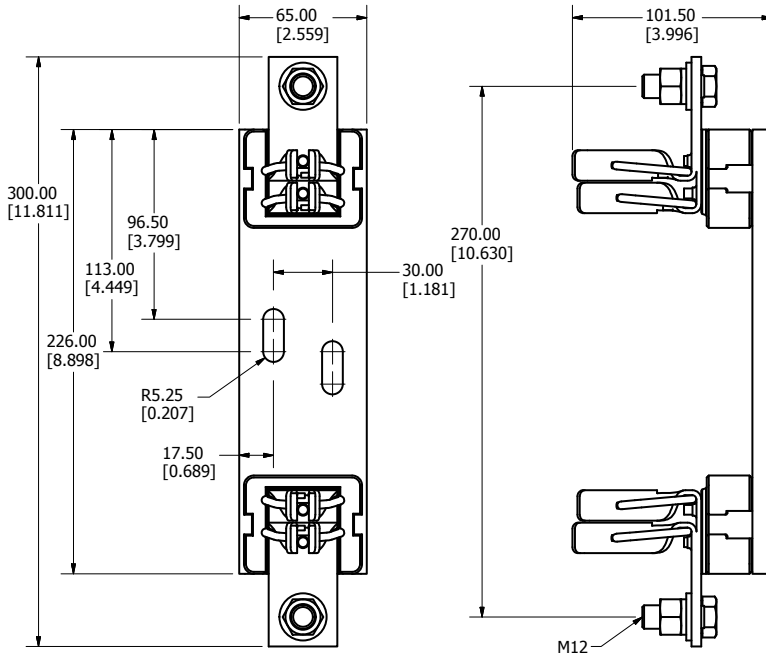
Fuse Terminal Cover
LFNH15400FBC

Specifications

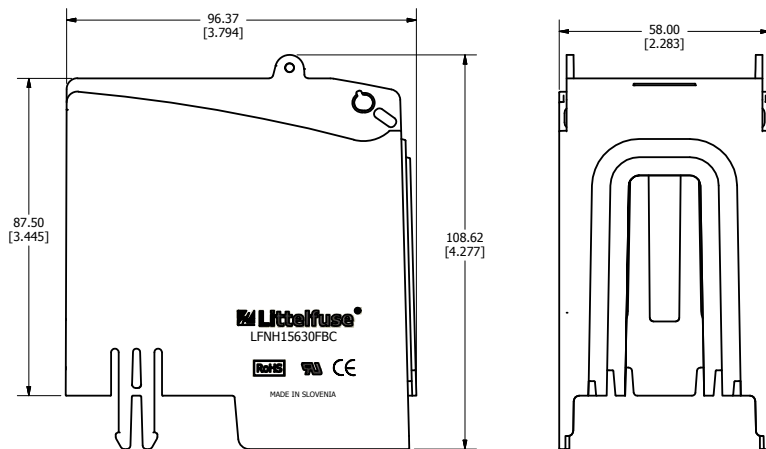
- Voltage Rating:** 1500 V
- Ampere Rating:** 400 amperes
- Flammability Rating:** UL 94 V-0
- Material:** V0-rated Nylon
- Packaging:** Sold in pairs



Dimensions Millimeters (in)



Fuse Block
LFNH156301CST



Fuse Terminal Cover
LFNH15630FBC

Specifications

- Voltage Rating:** 1500 V
- Ampere Rating:** 630 amperes
- Flammability Rating:** UL 94 V-0
- Material:** V0-rated Nylon
- Packaging:** Sold in pairs

Solar Products

SPFJ SERIES SOLAR FUSE

1000 V dc • 70–450 A • Full Range • Solar-Rated



2



Description

The SPFJ series is the smallest 1000 V dc 70–450 A dc full range fuse available in the market. The SPFJ series is manufactured in Class J case sizes and is suitable for photovoltaic, dc cable protection, EV off-board charging and other dc applications that allow for both fuse holder and busbar mounting configurations. The SPFJ meets both UL and IEC requirements.

Features & Benefits

- Higher amperage capacity in standard sizes for more protection in a smaller space
- Full range over-current protection capability, suitable for dc cable protection
- Small footprint offers design flexibility and reduces panel size requirements
- Fuse holder or bus bar mountings available for added versatility

Applications

- Inverters
- Re-combiner boxes
- Dc cable protection
- EV off-board (dc fast) chargers

Recommended Fuse Holder

LFJ1000 Solar Series

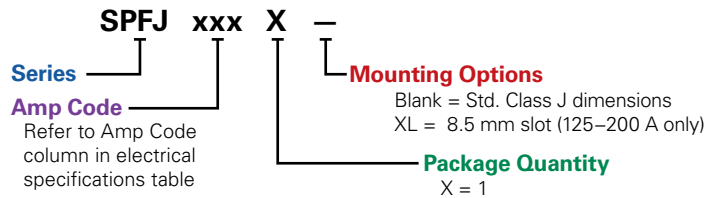
Web Resources

Download technical documents: Littelfuse.com/SPFJ

Specifications

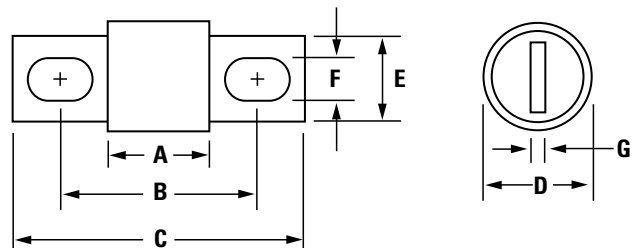
Voltage Rating	1000 V dc 600 V ac (125–450 A)
Amperage Rating	70–450 A
Interrupting Rating	Ac: 200 kAIC (125–450 A) Dc: 70–200 A: 20 kAIC 250–400 A: 10 kAIC 450 A: 20 kAIC
Time Constant	≤ 1ms
Material	Body: Melamine End Bells: Copper Alloy
Approvals	cULus (File:E339112), VDE (Cert No. 40033659)**
Applicable Standards	UL 248-1, UL 248-8, UL 248-19, IEC 60269-6
Environmental	RoHS Compliant
Country of Origin	Mexico

Part Numbering System



SERIES	AMP	PACKAGE QUANTITY	CATALOG NUMBER	ORDERING NUMBER
SPFJ	70	1	SPFJ070	SPFJ070.X
SPFJ	200	1	SPFJ200	SPFJ200.XXL

Dimensions Inches (mm)



AMPERAGE	DIMENSIONS IN INCHES (MM)						
	A	B	C	D	E	F	G
70–100	3.02 (76.5)	4.38 (111.3)	5.75 (146.1)	1.5 (38.1)	1.125 (28.3)	.335 (8.5)	.189 (4.8)
125–200	3.02 (76.5)	4.38 (111.3)	5.75 (146.1)	1.5 (38.1)	1.125 (28.3)	.281 (7.1)*	.189 (4.8)
250–400	3.37 (85.7)	5.25 (133.4)	7.125 (181.0)	2.0 (50.8)	1.63 (41.3)	.406 (10.3)	.252 (6.4)
450	3.75 (95.3)	5.98 (152.0)	8.0 (203.2)	2.5 (63.5)	2.0 (50.8)	.531 (13.5)	.374 (9.5)

* SPFJ L option = .330 (8.5)

** Refer to Ordering Information table



Look for this logo to indicate products that are used in solar applications. Visit our website Littelfuse.com/Solar for the latest updates on approvals, certifications, and new products.

Solar Products

SPF SERIES SOLAR FUSES

1000 V dc • 1–30 A



Description

The SPF Solar Protection Fuse series has been specifically designed for the protection of photovoltaic (PV) systems. This family of midget-style fuses (10 x 38 mm) can safely protect PV modules and conductors from reverse-overcurrent conditions.

As PV systems have grown in size, so have the corresponding voltage requirements. This increase in system voltage has typically been intended to minimize power loss associated with long conductor runs. Standard circuit protection devices are not designed to completely protect photovoltaic panels. However, the SPF series is UL Listed to safely interrupt faulted circuits up to this demanding voltage level.

Littelfuse offers multiple ampere ratings to match specific requirements in a variety of applications.

Features/Benefits

- Full range, fast-acting fuse helps eliminate common low-overload faults
- Prevents power generation losses due to nuisance tripping from changes in temperature
- Both PCB mount and dead-front holder options available

Applications

- Inverters
- Combiner boxes
- Battery charge controllers

Recommended Accessories

Fuse Holder: LPHV 1000 V dc POWR-Safe Series
 Fuse Clips: 125003

Web Resources

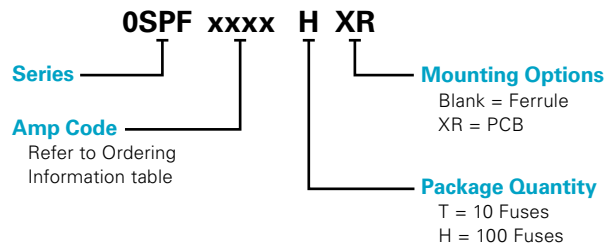
Download technical documents: Littelfuse.com/SPF

Specifications

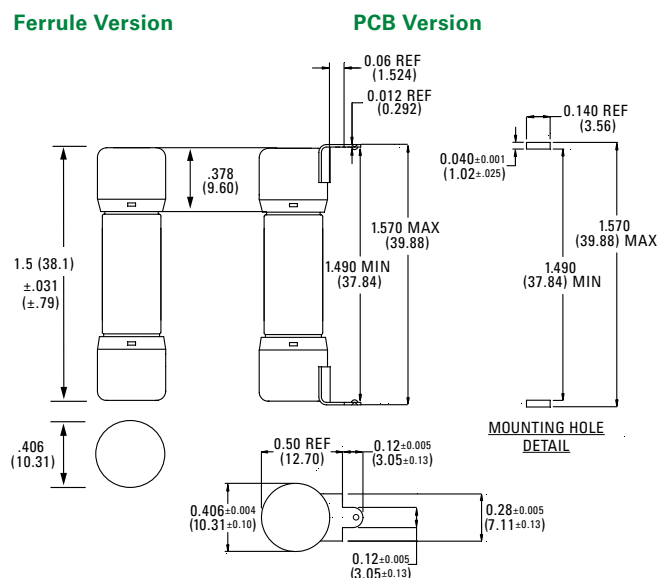
Voltage Rating	1000 V dc
Amperage Rating	1, 2, 3, 3.5, 4, 5, 6, 8, 10, 12, 15, 20, 25, 30
Max. Interrupting Rating	20 kA - 1 A - 20 A 50 kA - 25 A - 30 A
Time Constant	≤ 2ms
Material	Body: Melamine Caps: Copper Alloy
Approvals	UL Listed (File: E339112) CSA Certified (File: 029862_0_000) TUV (Cert: J 50494849)
Applicable Standards	UL 248-1, 248-19 IEC 60269-6
Environmental	RoHS Compliant
Country of Origin	Mexico

2

Part Numbering System



Dimensions Inches (mm)



Solar Products

SPFI SERIES IN-LINE SOLAR FUSE

1000 V dc • 2–30 A

2



Description

The Littelfuse SPFI solar fuse is designed to integrate into an in-line assembly within a wire harness. It has been specifically engineered to protect photovoltaic (PV) systems meeting UL 248-19 standards. The SPFI can be electrically insulated by either overmolding or using heat-shrink.

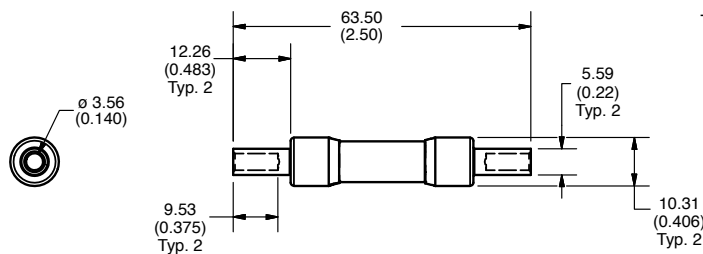
Features/Benefits

- One-piece cap design, without joints, offers easier wire crimping and more streamlined molding
- No fuse holder required helps save space, time, and money
- 20,000 A Interrupting Rating

Applications

- Photovoltaic wire harness

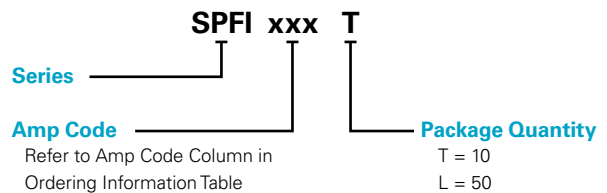
Dimensions mm (in)



Specifications

Voltage Rating	1000 V dc
Amperage Rating	2, 2.5, 3, 3.5, 4, 5, 6, 8, 10, 12, 15, 20, 25, 30 A
Interrupting Rating	20 kA
Time Constant	≤ 1ms
Material	Body: Melamine Caps: Copper Alloy (Nickel Plated)
Approvals	UL 248-19 Recognized (File: E339112) TUV (Cert: J 50505290)
Applicable Standards	UL 248-1, 248-19 IEC 60269-6 (electrically only)
Environmental	RoHS Compliant REACH
Country of Origin	Mexico
US Patent	9,564,281

Part Numbering System



Web Resources

Downloadable CAD drawings and other technical information: littelfuse.com/SPFI

Recommended Crimping Tool

T&B Sta-Kon ERG4002

Solar Products

LFJ1000 SERIES SOLAR FUSE BLOCK

1000 V dc • Clip-to-Box • Stud-to-Stud • Clip-to-Stud



Clip-to-Box

Stud-to-Stud

Clip-to-Stud

Description

The LFJ1000 series fuse block is specifically designed for the Littelfuse SPFJ 1000 V Solar Fuse. It meets UL electrical requirements, is available in multiple amperages, and comes in a variety of fuse mounting and termination configurations; fuse clip to box lug, fuse stud to wire stud and fuse clip to wire stud.

Features/Benefits

- Narrow width increases space savings
- Range of amperages to match all SPFJ fuse options
- Box Lug termination style accommodates a wide range of cable sizes
- Stud-mounted option increases convenience
- Approval for use with copper or aluminum lugs allowing for design flexibility

Ordering Information

(Clip-to-Box Lug 1000 V)

AMPERAGE	ORDERING NUMBER	WITHSTAND RATING	WIRE RANGE STANDARD (METRIC)	WIRE TYPE		RECOMMENDED TORQUE	UL LISTED
200	LFJ102001C	20 kA	250 kcmil - #6 (127mm ² - 16mm ²)	Cu/Al	Solid/ Stranded	275 in-lb (31.1 N-m)	-
400	LFJ104001C	10 kA	350 kcmil - 1/0 (177mm ² - 55mm ²)			275 in-lb (31.1 N-m)	-
450	LFJ104501C	20 kA	500 kcmil - #4 (253mm ² - 25mm ²)			375 in-lb (42.4 N-m)	x

(Stud-to-Stud 1000 V)

AMPERAGE	ORDERING NUMBER	WITHSTAND RATING	RECOMMENDED TORQUE		MAX. BUSBAR THICKNESS	RECOMMENDED BASE TORQUE		UL LISTED
			FUSE	TERMINAL		BOLT SIZE	TORQUE	
200	LFJ102001STST	20 kA	65 in-lb (7.3 N-m)	200 in-lb (22.6 N-m)	.774" (19.66 mm)	1/4" 5/16"	30-40 in-lb	x
400	LFJ104001STST	10 kA	170 in-lb (19.2 N-m)	200 in-lb (22.6 N-m)	.555" (14.10 mm)		40-50 in-lb	x
450	LFJ104501STST	20 kA	300 in-lb (33.9 N-m)	300 in-lb (33.9 N-m)	.570" (14.18 mm)		x	

(Clip-to-Stud 1000 V)

AMPERAGE	ORDERING NUMBER	WITHSTAND RATING	RECOMMENDED TORQUE	MAX. BUSBAR THICKNESS	RECOMMENDED BASE TORQUE	UL LISTED	
			TERMINAL				
200	LFJ102001CST	20 kA	200 in-lb (22.6 N-m)	.774" (19.66 mm)	1/4" 5/16"	x	
400	LFJ104001CST	10 kA	200 in-lb (22.6 N-m)	.555" (14.10 mm)		30-40 in-lb	x
450	LFJ104501CST	20 kA	300 in-lb (33.9 N-m)	.570" (14.18 mm)		40-50 in-lb	x

Specifications

Voltage Ratings	1000 V dc
Ampere Ratings	200, 400, 450 A
Materials:	
Base	Thermoplastic
Fuse Clip	Tin plated copper alloy
Box Lug	Aluminum
Fuse Studs	Zinc plated steel
Connector Studs	Zinc plated steel
Flammability Rating	UL94 V-0
Termination Type	Box Lug or Stud Mount
Base Temp Rating	130 °C
Approvals	UL 4248-18 Listed File: E345481 Vol. 1 (See Ordering Information tables)
Environmental	RoHS Compliant

Recommended Fuses

SPFJ Solar Series

Web Resources

Sample requests, downloadable CAD drawings, dimensions and other technical information:

Littelfuse.com/LFJ1000

For a comprehensive overview of solar market solutions, visit:

Littelfuse.com/solar

Solar Products

LPHV POWR-SAFE FUSE HOLDERS

1000 V dc



2



Description

The Littelfuse LPHV fuse holder is designed to house 1000 V fuses. It is not designed for load break but is ideal for isolating photovoltaic (PV) module strings for maintenance and meets UL requirements for 1000 V solar fuse protection.

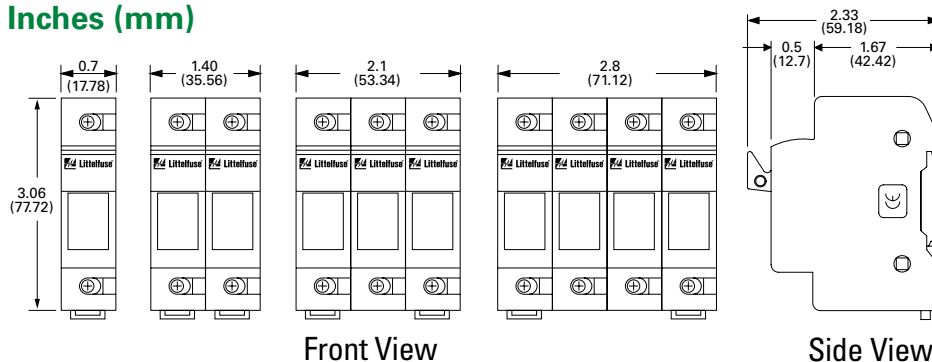
Features/Benefits

- Touch-safe design offers protection when replacing fuses
- Compact design
- 35 mm DIN-rail mountable
- Available in 1-, 2-, 3- and 4-pole configurations
- No fuse pullers or tools required for fuse removal

Ordering Information

SERIES	POLES	CATALOG NUMBER	ORDERING NUMBER	TERMINAL TYPE	WIRE TYPE	WIRE RANGE	TERMINAL TORQUE	ROHS
LPHV	1	LPHV001	LPHV0001Z	Pressure Plate	75 °C or 90 °C CU Only	Stranded / [Solid]	17.7 in-lbs (2 N-m)	•
LPHV	2	LPHV002	LPHV0002Z					•
LPHV	3	LPHV003	LPHV0003Z					•
LPHV	4	LPHV004	LPHV0004Z					•

Dimensions Inches (mm)



Specifications

Voltage Rating	1000 V dc
Amperage Rating	30 A
SCCR Rating	20 kA
Power Dissipation	4 W Maximum
Fuse Type	10 X 38 mm up to 1000 V dc
Material	Thermoplastic
Flammability Rating	UL 94 V-0
Approval	Self-certified 1000 V dc IEC 60269-2, -4, -6
Environmental	RoHS compliant, Lead (Pb) Free

Multi-Pole Assembly Kit

Kits are used to create multi-pole holders from 1-pole LPHV fuse holders. Please contact factory for more information.

ORDERING NUMBER	DESCRIPTION
CYHP001	20 Connector Pincers & 10 Handle Pins
CYHP002	Connector Pincer Only
CYHP003	Handle Pin Only

Web Resources

Sample requests, downloadable CAD drawings and other technical information: Littelfuse.com/lphv

More information about solar applications: Littelfuse.com/solar

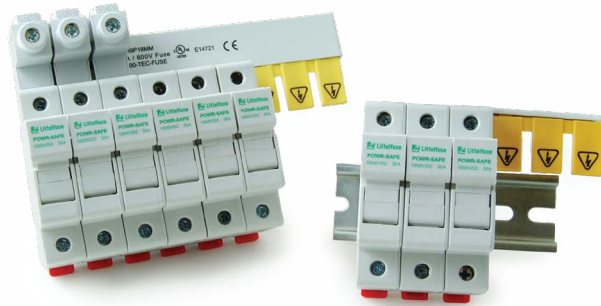
Recommended Fuses

10 x 38 mm 1000 V dc Fuses
SPF 1000 V Series
FLU 1000 V Series

Solar Products

BUS BAR SYSTEM

POWR-BAR Distribution



Description

A key objective for panel designers is safe distribution of power to multiple fuse holders in a compact design. The Littelfuse UL 508 Listed bus bar system eliminates most wire terminations in a timesaving package. A power distribution block and associated conductors are no longer needed to feed multiple POWR-safe fuse holders.

Features/Benefits

- Touch-safe design offers protection when replacing fuses
- Compact design
- 35mm DIN-rail mountable
- Available in one and three phase configurations
- Can be cut down to optimal size

Recommended Fuse Holders

Littelfuse LFPSM / LFPSC / LPSM / LPSC (600 V)
Littelfuse LPHV (1000 V)

Web Resources

Download technical documents: [Littelfuse.com/busbar](https://www.littelfuse.com/busbar)

Specifications

Voltage Ratings 600 V ac/dc
1000 V dc*

Current Ratings

CROSS SECTION (mm ²)	18 mm ²	25 mm ²
END FED	80 A	100 A
CENTER FED	160 A	200 A

SCCR 10 kA, 100 kA¹
Conductor Copper
Pitch 17.8 mm
Approvals UL 508 Listed (File E328654)
Environmental RoHS Compliant
Lead (Pb) free

*1 Phase 18 mm² rated 1000 V dc up to 160 A when center fed
 1 Phase 25 mm² rated 1000 V dc up to 200 A when center fed
¹When protected directly upstream by Class J 175 amperes max (18 mm² bus bar) and Class J 200 amperes max (25 mm² bus bar).

Ordering Information

1 PHASE, 18 mm ²			1 PHASE, 25 mm ²		
ORDERING NUMBER	POLES	LENGTH (mm)	ORDERING NUMBER	POLES	LENGTH (mm)
1PH3P18mm	3	50	1PH3P25mm	3	50
1PH4P18mm	4	79	1PH4P25mm	4	79
1PH6P18mm	6	104	1PH6P25mm	6	104
1PH9P18mm	9	155	1PH9P25mm	9	155
1PH12P18mm	12	208	1PH12P25mm	12	208
1PH15P18mm	15	270	1PH15P25mm	15	270
1PH57P18mm	57	1009	1PH57P25mm	57	1009

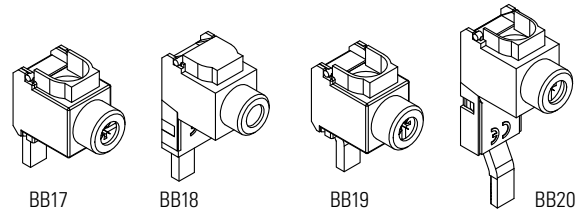
3 PHASE, 18 mm ²			3 PHASE, 25 mm ²		
ORDERING NUMBER	POLES	LENGTH (mm)	ORDERING NUMBER	POLES	LENGTH (mm)
3PH6P18 mm	6	104	3PH6P25 mm	6	104
3PH9P18 mm	6	158	3PH9P25 mm	9	158
3PH12P18 mm	12	214	3PH12P25 mm	12	214
3PH15P18 mm	15	266	3PH15P25 mm	15	266
3PH57P18 mm	57	1009	3PH57P25 mm	57	1009

Endcaps are standard with all 3 phase configurations except 57-pole. Endcaps are not needed for the 1 phase configurations from the factory or if the copper bus is trimmed per the supplied instructions. Power feed lugs and protective covers are extra.

Accessories

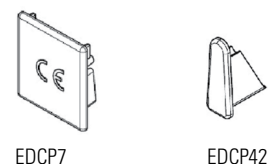
Power Feed Lug

PART NUMBER	AMPERAGE RATING	VOLTAGE (ac/dc)	WIRE RANGE	WIRE TYPE	TORQUE
BB17	115	1000	#10 - 1/0 AWG	CU	50 lb-in
BB18	115	1000	#10 - 1/0 AWG	CU	50 lb-in
BB19	115	1000	#10 - 1/0 AWG	CU	50 lb-in
BB20	115	1000	#10 - 1/0 AWG	CU	50 lb-in



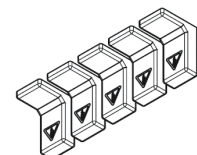
Endcaps

PART NUMBER	PHASE	QUANTITY
EDCP42	Single	50
EDCP7	Three	50



Pole Protective Covers

PART NUMBER	QUANTITY
CTPT5	5



2
3

Solar Products

LPSC / LPSM POWR-SAFE FUSE HOLDERS

600 V



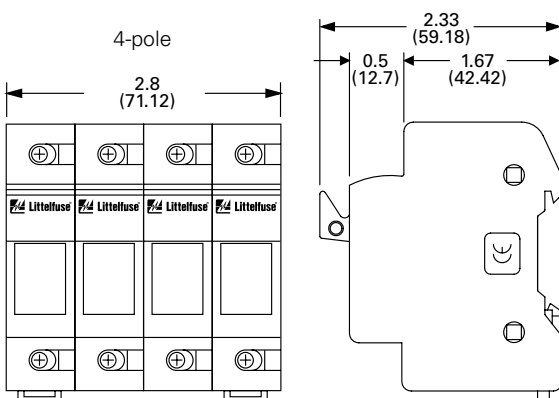
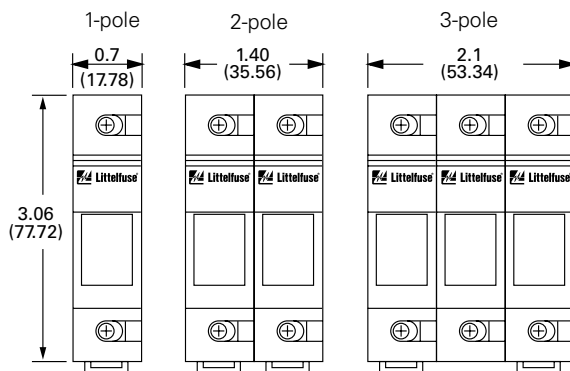
3



Description

Littelfuse POWR-Safe dead front holders provide optimum protection to personnel for Class CC and midget-style fuses.

Dimensions Inches (mm)



Features/Benefits

- Indicating and non-indicating options available
- 1-, 2-, 3- and 4-pole configurations
- Easy installation and fuse removal with no additional pullers or tools required
- 35 mm DIN-rail mountable
- Ventilated design for cooler operation

Specifications

Voltage Rating	600 V ac/dc
Ampere Rating	30 A
Interrupting Rating	200 kA (Class CC) 100 kA (midget)
Terminal Type	Pressure plate
Suggested Torque	17.7 in-lbs
Wire Range	#8-#14 CU
Material	Thermoplastic
Flammability Rating	UL 94 V-0
Approvals	UL Listed (LPSC File: E14721) UL Recognized (LPSM File: E14721) CSA Certified (LPSC/LPSM File: LR7316)
Environmental	RoHS compliant, Lead (Pb) Free

Ordering Information

INDICATING		NON-INDICATING		FUSE TYPE	POLES
CATALOG NUMBER	ORDERING NUMBER	CATALOG NUMBER	ORDERING NUMBER		
LPSC001ID	LPSC0001ZXID	LPSC001	LPSC0001Z	Class CC	1
LPSC002ID	LPSC0002ZXID	LPSC002	LPSC0002Z	Class CC	2
LPSC003ID	LPSC0003ZXID	LPSC003	LPSC0003Z	Class CC	3
LPSC004ID	LPSC0004ZXID	LPSC004	LPSC0004Z	Class CC	4
LPSM001ID	LPSM0001ZXID	LPSM001	LPSM0001Z	Midget	1
LPSM002ID	LPSM0002ZXID	LPSM002	LPSM0002Z	Midget	2
LPSM003ID	LPSM0003ZXID	LPSM003	LPSM0003Z	Midget	3
LPSM004ID	LPSM0004ZXID	LPSM004	LPSM0004Z	Midget	4

Multi Pole Assembly Kit Ordering No. CYHP0001Z-KIT
(Kit contains 20 connector pincers & 10 handle pins)

Web Resources

Download CAD drawings and other technical information:

littelfuse.com/lpsc

littelfuse.com/lpsm

Recommended Fuses

Class CC
Midget-style (10 x 38 mm)

Solar Products

KLKD SERIES 10 X 38 FUSES

600 V ac/dc • Fast Acting • 1/10–30 A



3

Description

The KLKD series fast-acting 600 V ac/dc fuses are used in solar combiner boxes and in circuits with dc fault currents up to 50,000 A. These fuses are designed to meet both the UL and IEC photovoltaic fuse specifications and are available in standard and board-mount configurations. The KLKD midget fuses also have high-interrupting and current-limiting capability. They are intended to supplement the primary branch-circuit fuse or breaker to provide backup overcurrent protection. The KLKD fuses are non-indicating and may be used with an indicating fuse block or cover. These fuses are offered in a wide range of ampere ratings to match specific requirements in a variety of applications. Note that 1–5 A meets UL 1741 GFDI requirements.

Features & Benefits

FEATURES	BENEFITS
10x38 mm size	Common dimensions used in a variety of applications
Fast-acting	Provides fast, reliable short-circuit response within the interrupting rating
Mounting options	Available in ferrule or PCB mount
POWR-GARD® technology	Ensures quality backup overcurrent protection
UL & IEC certifications	Certifications to serve the global market

Applications

- Solar combiner boxes
- Inverters
- Power supplies
- Desktop meters

Solar Products

KLKD SERIES 10 X 38 FUSES

Specifications

Voltage Rating	600 V ac / V dc
Ampere Range	$\frac{1}{10}$ –30 A
Interrupting Ratings	Ac: 100 kA 200 kA Littelfuse self-certified Dc: $\frac{1}{10}$ –30: 10 kA (UL 248-19) $\frac{1}{10}$ –30: 50 kA (UL 248-14)
Applicable Standards	UL 248-14, UL 248-19, UL 1741 GFDI, CSA, IEC 60269-6
Environmental	RoHS Compliant
Material	Body: Melamine Caps: Copper Alloy
Operating Temperature	See Derating Curve
Country of Origin	Mexico

Certification & Compliance

UL	UL Listed (File E339112 and E10480)
CSA	CSA Certified (File: LR29862)
CE	Declaration of Conformity: EU_DOC-KLKD_201105_3_IEC
RoHS	RoHS 2 Directive 2011/65/EU; Directive (EU) 2015/863
VDE*	Certificate No 40033094

*Refer to Ordering Information Table

Accessories

Littelfuse LPSM dead-front series fuse holder (ferrule fuse)
Littelfuse L60030M open-face series fuse holder (ferrule fuse)

Ordering Information (Ferrule Version)

AMPERAGE RATING	CATALOG NUMBER	PRODUCT MARKING	PACKING QUANTITY	ORDERING NUMBER	UPC CODE	AGENCY APPROVALS		
						UL	VDE	CSA
$\frac{1}{10}$	KLKD.100	KLKD $\frac{1}{10}$ A	10	KLKD.100T	07945810189	•		•
			100	KLKD.100H	07945896442	•		•
$\frac{1}{8}$	KLKD.125	KLKD $\frac{1}{8}$ A	10	KLKD.200T	07945810190	•		•
			100	KLKD.200H	07945896443	•		•
$\frac{3}{10}$	KLKD.200	KLKD $\frac{3}{10}$ A	10	KLKD.100T	07945810191	•		•
			100	KLKD.100H	07945896444	•		•
$\frac{1}{4}$	KLKD.250	KLKD $\frac{1}{4}$ A	10	KLKD.250T	07945810192	•		•
			100	KLKD.250H	07945896445	•		•
$\frac{3}{10}$	KLKD.300	KLKD $\frac{3}{10}$ A	10	KLKD.300T	07945810193	•		•
			100	KLKD.300H	07945896446	•		•
$\frac{1}{2}$	KLKD.500	KLKD $\frac{1}{2}$ A	10	KLKD.500T	07945810194	•		•
			100	KLKD.500H	07945896447	•		•
$\frac{3}{4}$	KLKD.750	KLKD $\frac{3}{4}$ A	10	KLKD.750T	07945810195	•		•
			100	KLKD.750H	07945896448	•		•
1	KLKD001	KLKD 1A	10	KLKD001.T	07945810196	•		•
			100	KLKD001.H	07945896449	•		•

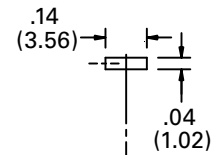
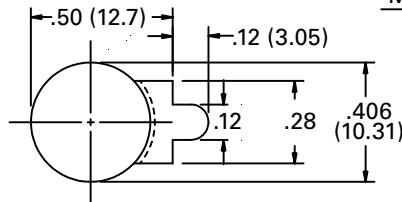
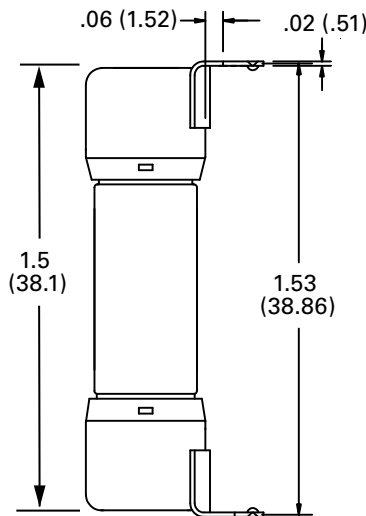
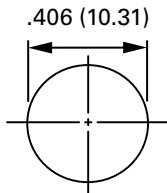
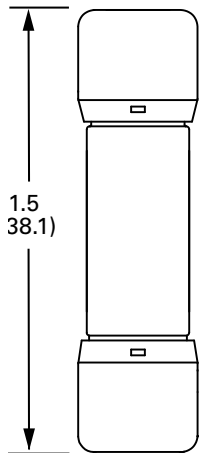
Electrical Specification - Agency Requirements

AMPERAGE RATING	OPENING TIME (MINUTES)			
	100 % OF AMPERE RATING PER UL	105 % OF AMPERE RATING PER IEC	135 % OF AMPERE RATING PER UL	200 % OF AMPERE RATING PER UL
1/10-30	Temperature Stabilization	60 min	60 max	4 max

Ferrule Version

PCB 1-Tab

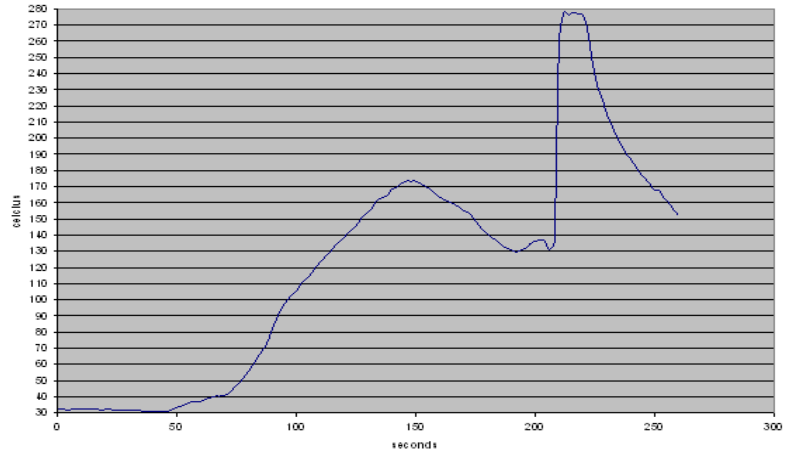
Dimensions Inches (mm)



MOUNTING HOLE DETAIL

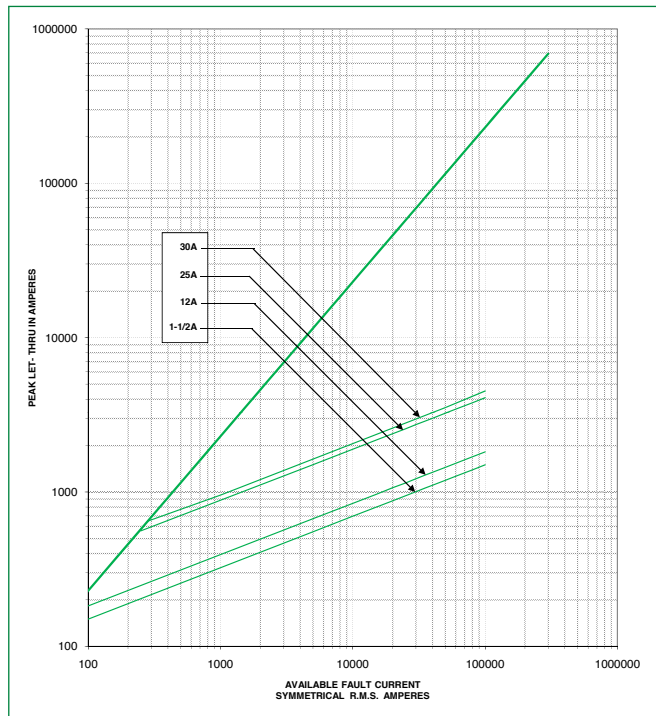
Recommended Process and Soldering Parameters

WAVE PARAMETER	LEAD FREE RECOMMENDATION
Preheat:	(Typical Industry Recommendation)
Temperature Minimum:	130 °C
Temperature Maximum:	—
Pre-heat Time	75 Seconds Maximum
Solder Pot Temperature	280 °C Maximum
Solder Dwell Time	270 °C for 8 Seconds Maximum
Complete Cycle Time	250 Seconds Maximum



3

Peak Let-Thru Curve



Distribution Blocks • Splicer Blocks • Covers



Description

POWR-BLOKS power distribution blocks offer a safe, convenient way of splicing cables, providing a fixed junction tap-off point or splitting primary power into secondary circuits. Lx2xxx-DIN series offers integral DIN-rail mount and an optional hinged safety cover.

Optional power distribution block covers provide protection against accidental shorting between poles caused by loose wires, tools, or other conductive material. They also protect personnel from accidentally contacting energized connectors.

Applications

Typical applications include heating, air conditioning and refrigeration systems, elevator systems, material handling equipment, control panels, motor controls, switchgear, and anywhere power needs to be distributed to more than one load.

Hinged Plastic Covers



Connectors

Box lug connectors are designed for use with a single or multiple, solid or class B or C stranded conductor. For UL approved use of more than one conductor per connector opening, contact Littelfuse Technical Service. Manufacturers of cable terminations can furnish crimp-on sleeves for fine stranded conductors which permit these conductors to be used with box lugs.

Ampere Ratings

The ampere rating per pole for power distribution blocks is based on the line ampacity of 75 °C insulated conductors per NEC* Table 310.16. If 60 °C insulated conductors are used, load must not exceed the ampacity of 60 °C conductors. Use of conductors rated in excess of 75 °C is permitted (for example 90 °C), however, load must not exceed the ampacity of 75 °C conductors.

Specifications

Voltage Rating	600 V
Current Rating	Based on NEC Table 310.16, using 75 °C copper wire
SCCR	Consult factory
Material	Phenolic rated at 150 °C and Thermoplastic rated at 125 °C (LD1400 and LS1300 series only)
Connector	Aluminum: Highly conductive aluminum, tin plated Copper: Highly conductive copper, tin plated
Flammability Rating	UL 94 V-0
Approvals	UL Recognized - OLD/OLS Series (File: E171395) LFD/LFS Series (File: E309688) CSA Certified - OLD/OLS Series (File: LR700111) LFD/LFS Series (File: 007316_0_000) UL Listed - OLD57xxxx (File: E482231)
Environmental	RoHS compliant, Lead (Pb) free

Web Resources

For dimension, CAD and 3-D drawings, visit:
littelfuse.com/powrbloks

Clear Plastic Covers

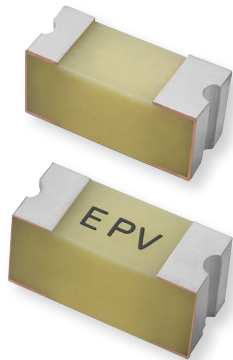


*NEC is a trademark of its respective owner

Solar Products

400PV SERIES SURFACE MOUNT FUSE

2410 Photovoltaic Fuse



Description

Littelfuse 400PV Series is a 2410 size Surface Mount Fuse which offers relatively low resistance. It provides UL 248-19 compliant overcurrent protection for photovoltaic (PV) cells.

The 400PV series meets environment standards and is able to operate at high temperatures.

Features & Benefits

- Wide operating temperature range
- 100% lead-free, halogen-free, and RoHS compliant
- Reliable overcurrent performance in high temperature environments
- Small and compact
- Surface mountable
- Compatible with common soldering assembly processes
- Recognized to UL/CSA 248-1 and UL/CSA 248-19

Applications

- Photovoltaic shingles
- Photovoltaic cells

4

Agency Approvals

Agency	Agency File Number	Ampere Rating
c UL US	E339112	0.375 A

Electrical Characteristics

% of Ampere Rating	Ampere Rating	Opening Time
100%	0.375 A	4 hours, Minimum
135%	0.375 A	3600 seconds Maximum
200%	0.375 A	240 seconds Maximum

Electrical Specifications

Ampere Rating (A)	Max Voltage Rating (V)	Interrupting Rating	Nominal Cold Resistance (Ohms)	Nominal Melting I ² t (A ² Sec.) ¹	Agency Approvals
0.375	86	10,000 A @ 86 VDC	0.31	0.010	c UL US X

Note
1. Nominal Melting I²t measured at 1 msec. opening time

Additional Information



Resources



Accessories



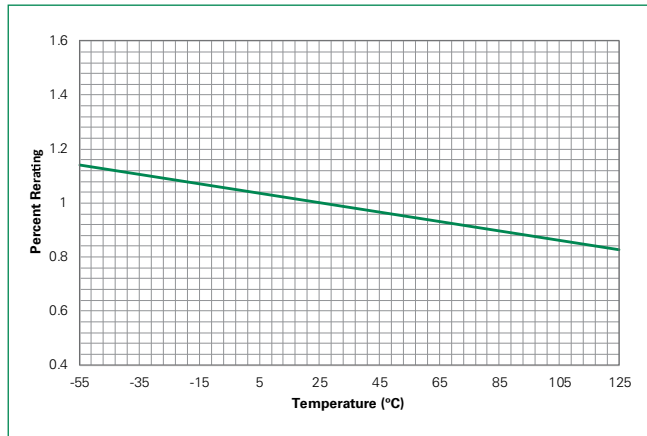
Samples

Solar Products

400PV SERIES SURFACE MOUNT FUSE

2410 Photovoltaic Fuse

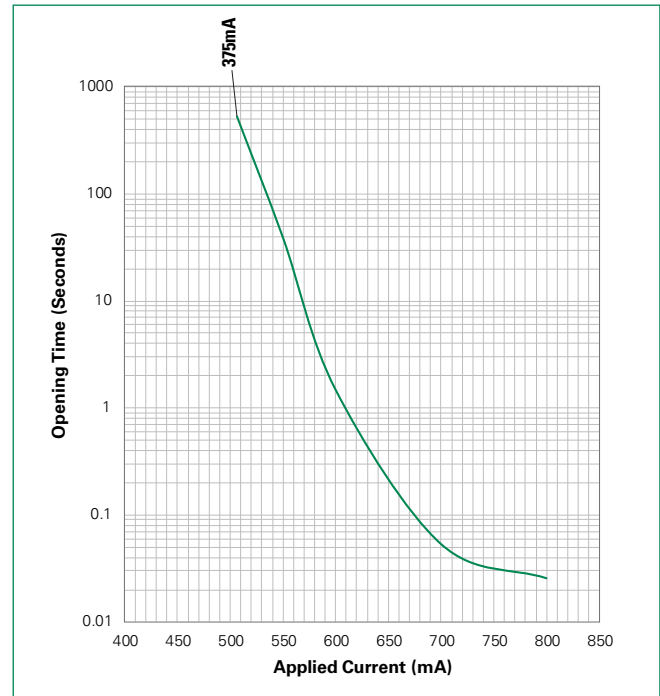
Temperature Re-rating Curve



Note
 Re-rating depicted in this curve is in addition to the standard derating of 25% for continuous operation.

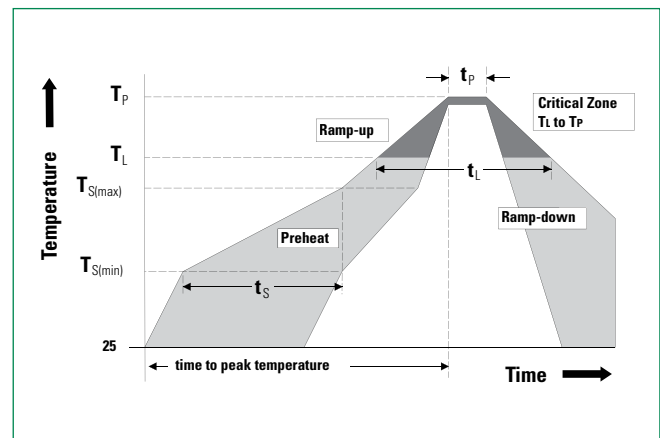
Example
 For continuous operation at 85 degrees celsius, the fuse should be re-rated as follows:
 $I = (0.75)(0.90)_{85} = (0.675) I_n$

Average Time Current Curve



Soldering Parameters – Reflow Soldering

Reflow Condition		Pb-free assembly
Pre Heat	- Temperature Min ($T_{s(min)}$)	150° C
	Temperature Max ($T_{s(max)}$)	200° C
	- Time (Min to Max) (t_p)	60–180 secs
Average ramp up rate (Liquidus Temp (T_L) to peak)		3° C/second max.
$T_{s(max)}$ to T_L - Ramp-up Rate		5° C/second max.
Reflow	- Temperature (T_L) (Liquidus)	217° C
	- Temperature (t_L)	60–150 seconds
Peak Temperature (T_p)		260 ^{+0/-5} °C
Time within 5° C of actual peak Temperature (t_p)		10–30 seconds
Ramp-down Rate		6° C/second max.
Time 25° C to peak Temperature (T_p)		8 minutes max.
Do not exceed		260° C
Wave Soldering	260° C, 10 seconds max.	



Solar Products

400PV SERIES SURFACE MOUNT FUSE

2410 Photovoltaic Fuse

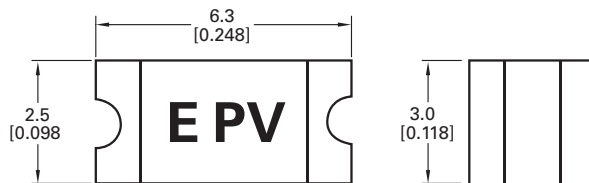
Product Characteristics

Materials	Body: Epoxy resin (UL 94 V-0 certified) Terminations: Cu/Ni/Sn (100% Pb-free)
Moisture Sensitivity Level	IPC/JEDEC J-STD-020C, Level 1
Solderability	IPC/EIC/JEDEC J-STD-002B, Condition B
Humidity	UL 248-19 Section 6.7.3
Resistance to Soldering Heat	MIL-STD-202, Method 210F, Condition B
Thermally Induced Drift	UL 248-19 Section 6.6.1
Moisture Resistance	MIL-STD-202, Method 106G

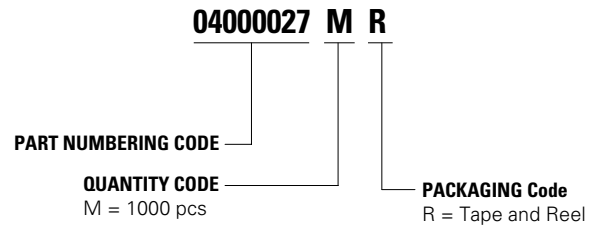
Thermal Shock	MIL-STD-202, Method 107G, Condition B-3
Mechanical Shock	MIL-STD-202, Method 213B, Condition A
Vibration	MIL-STD-202, Method 201A
Vibration, High Frequency	MIL-STD-202, Method 204D, Condition D
Dissolution of Metallization	IPC/EIC/JEDEC J-STD-002B, Condition D
Terminal Strength	IEC 60127-4
Temperature Extremes	UL 248-19 Section 6.6.2

4

Dimensions



Part Numbering System



Packaging

Packaging Option	Packaging Specification	Quantity	Quantity & Packaging Code
12 mm Tape and Reel	EIA-481/IEC 60286-3	1000	MR

Solar Products

IGBT MODULE, HALF-BRIDGE

600/1200 V • S Package • D Package • WB Package



Description

Half-Bridge Circuit IGBT Modules offer the high efficiency and fast switching speeds of modern IGBT technology in a robust and flexible format. Used for power control applications, Littelfuse offers IGBT modules for flexible and efficient motor control and inverter applications.

Features

- Ultra low loss
- High ruggedness
- High short-circuit capability
- Positive temperature coefficient
- With fast free-wheeling diodes

Benefits

- High efficiency and switching speed
- High reliability in demanding applications
- Reduced protection needs
- Easily paralleled
- Integrated solution in compact module package

Applications

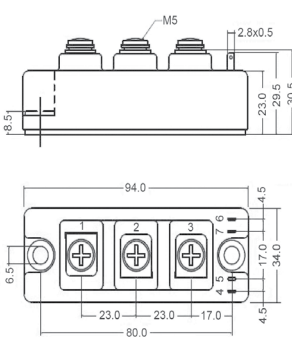
- AC motor control
- Inverter
- Motion/servo control
- Power supplies
- Photovoltaic/fuel cell

Web Resources

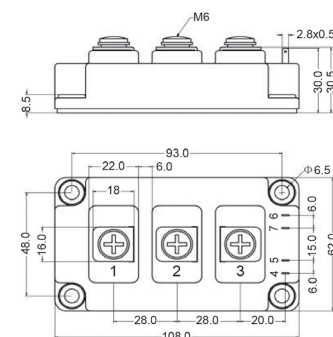
Download the complete datasheet and other technical information: littelfuse.com

Dimensions Inches (mm)

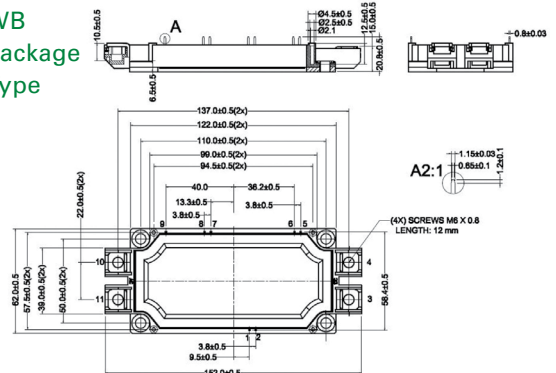
S Package Type



D Package Type



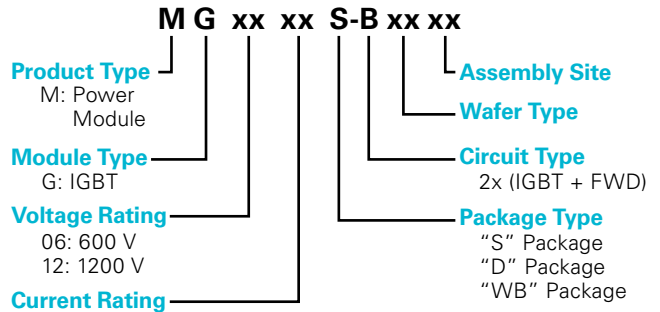
WB Package Type



Specifications

Voltage Rating	600 / 1200 V
Amperage Rating	S Package: 75, 100, 150, 200 D Package: 100, 150, 200, 300, 400 WB Package: 225, 300, 450, 600
Circuit Type	Half-Bridge
Approvals	UL Listed (File: E71639)
Environmental	RoHS Compliant

Part Numbering System



Ordering Information

ORDERING NUMBER	VOLT	AMPERAGE	PACKAGE TYPE	MOUNTING METHOD	M.O.Q.
MG1250S-BA1MM	1200	50	S	SCREW	100
MG12100S-BN2MM	1200	100	S	SCREW	100
MG12150S-BN2MM	1200	150	S	SCREW	100
MG1275S-BA1MM	1200	75	S	SCREW	100
MG06100S-BN4MM	600	100	S	SCREW	100
MG06150S-BN4MM	600	150	S	SCREW	100
MG06300D-BN4MM	600	300	D	SCREW	60
MG06400D-BN4MM	600	400	D	SCREW	60
MG12200D-BA1MM	1200	200	D	SCREW	60
MG12300D-BA1MM	1200	300	D	SCREW	60
MG12300D-BN3MM	1200	300	D	SCREW	60
MG12400D-BN2MM	1200	400	D	SCREW	60
MG06600WB-BN4MM	600	600	WB	PRESS FIT	60
MG12225WB-BN2MM	1200	225	WB	PRESS FIT	60
MG12300WB-BN2MM	1200	300	WB	PRESS FIT	60
MG12450WB-BN2MM	1200	450	WB	PRESS FIT	60



What Are Voltage Transients?

Voltage transients are unwanted short duration surges of electrical energy. They may result from the sudden release of previously stored energy, and can come from internal and external sources. If the voltage magnitude of the transient is large enough, circuit component damage or malfunction of the circuit may result.

Transients can occur either repeatedly or as random impulses. Repeatable transients are frequently caused by the operation of other system components, such as motors, generators or the switching of reactive circuit components. Random transients, are often caused by lightning, electrostatic discharge (ESD), and other outdoor environment events.

SOURCE	VOLTAGE	CURRENT	RISE-TIME	DURATION
Lightning	25 kV	20 kA	10 μ s	50 ms
Load Switching	600 V	500 A	50 μ s	500 ms
Electromagnetic Pulse (EMP)	1 kV	300 kV	20 ns	1 ms
Electrostatic Discharge (ESD)	15 kV	30 A	1–5 ns	100 ns

Transient Voltage Suppression Diodes

TVS Diodes are used to protect semiconductor components from high-voltage transients. Their p-n junctions have a larger cross-sectional area than those of a normal diode, allowing them to conduct large currents to ground without sustaining damage. Littelfuse supplies TVS Diodes with peak power ratings from 200 W to 30 kW, and reverse standoff voltages from 5 V to 512 V. For more information visit Littelfuse.com/tvsdiodes

TVS and Solar Inverter Protection

Integration of Transient Voltage Suppression (TVS) components within solar system designs help to prevent the damaging effects of transient events and assure compliance to safety and reliability standards. Solar power inverters are vulnerable to transient voltage effects and its direct connection to other system components allows transient voltage transfer. For example:

- Lightning-induced transient events may pass through the solar array and outdoor cabling to the inverter
- Transients originating from the outside utility power grid may pass through the main circuit panel and cabling to the inverter
- Startup of motorized equipment enables vulnerabilities produced by repeated load changes
- Electrostatic discharge events generated internally and externally to the system may pass between the inverter and sensitive electronic control equipment

It is important to build surge protection in the inverter and at other locations before damaging transients may reach sensitive equipment.

5

SERIES NAME	PHOTO	PACKAGE TYPE	REVERSE STANDOFF VOLTAGE (V _R)	PEAK PULSE POWER RANGE (P _{PP} 10/1000 μ s)	PEAK PULSE CURRENT (I _{PP} 8/20 μ s)	OPERATING TEMPERATURE	HF	ROHS
SURFACE MOUNT - STANDARD APPLICATION (200-5000 W)								
SMF		SOD-123	5.0-85	200 W	–	-67 °F to +302 °F (-55 °C to +150 °C)	•	•
SMAJ		DO-214AC	5.0-440	400 W	–		•	•
P4SMA		DO-214AC	5.8-468	400 W	–		•	•
SMA6J		DO-214AC	5.0-12	600 W	–		•	•
SMA6L		DO-221AC	5.0-85	600 W	–		•	•
SACB		DO-214AA	5.0-50	500 W	–		•	•
SMBJ		DO-214AA	5.0-440	600 W	–		•	•
P6SMB		DO-214AA	5.8-468	600 W	–		•	•
1KSMB		DO-214AA	5.8-153	1000 W	–		•	•
SMCJ		DO-214AB	5.0-440	1500 W	–		•	•
1.5SMC		DO-214AB	5.8-468	1500 W	–		•	•
4.0SDJ		DO-214AB	24.0	4000W	–		•	•
SMDJ		DO-214AB	5.0-220	3000 W	–		•	•
5.0SMDJ		DO-214AB	12-170	5000 W	–		•	•
AXIAL LEADED - STANDARD APPLICATION (400-5000 W)								
P4KE		DO-41	5.8-468	400 W	–	-67 °F to +347 °F (-55 °C to +175 °C)	•	•
SA		DO-15	5.0-180	500 W	–		•	•
SAC		DO-15	5.0-50	500 W	–		•	•
P6KE		DO-15	5.8-512	600 W	–		•	•
1.5KE		DO-201	5.8-512	1500 W	–		•	•
LCE		DO-201	6.5-90	1500 W	–		•	•
3KP		P600	5.0-220	3000 W	–		•	•
5KP		P600	5.0-250	5000 W	–		•	•
AXIAL LEADED - HIGH POWER (15000-30000 W; 1-15 kA)								
15KPA		P600	17-280	15000 W	–	-67 °F to +347 °F (-55 °C to +175 °C)	•	•
20KPA		P600	20-300	20000 W	–		•	•
30KPA		P600	28-288	30000 W	–		•	•
AK1		Radial Lead	76.0	–	1000 A	-67 °F to +302 °F (-55 °C to +150 °C)	•	•
AK3		Radial Lead	15-430	–	3000 A		•	•
AK6		Radial Lead	30-430	–	6000 A		•	•
AK10		Radial Lead	15-530	–	10000 A		•	•
AK15		Radial Lead	58-76	–	15000 A		•	•

Solar Products

OVERVOLTAGE SUPPRESSION VARISTORS



Protection Application and Needs

Description:

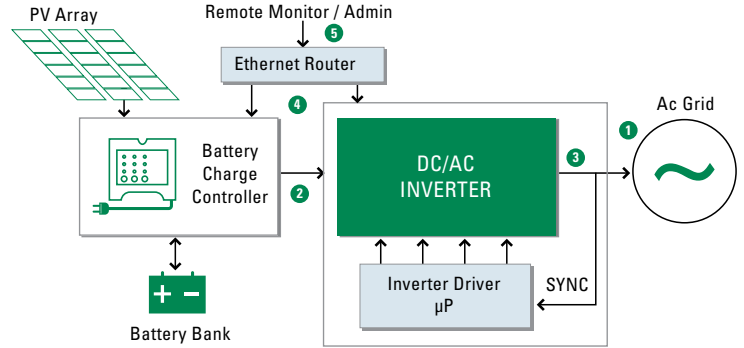
Microprocessor-controlled inverter with the ac output synchronized to the ac grid stores energy in utility company and maximizes photovoltaic (PV) array energy output.

Threats:

- Power surges on ac or dc input and ac output
- ESD threats through the communication network

Solutions:

1. **Ac Input:** Fuse / MOV / GDT
2. **Dc Input:** Dc-rated fuse / Unidirectional TVS / MOV
3. **Ac Output:** Fuse / TVS / MOV
4. **Local Ethernet:** MLV / SPA
5. **Outside Ethernet:** SEP series SIDACTor® device



Example: Hybrid Solar Inverter Configuration

Varistor Products

Varistors possess characteristics that divert transient currents away from sensitive components. Littelfuse offers two types: Miniature surface mount Multi-Layer Varistors (MLVs) for small electronics applications and Metal Oxide Varistors (MOVs) for higher energy applications. For more information visit Littelfuse.com/varistor

5

SERIES NAME	PHOTO	OPERATING V AC RANGE	OPERATING V DC RANGE	PEAK CURRENT RANGE ² (A)	PEAK ENERGY RANGE (J)	OPERATING TEMPERATURE	MOUNT/FORM FACTOR	DISC SIZE	AGENCY APPROVALS									
									UR	CSA	VDE	CECC	ROHS	HF				
SURFACE MOUNT MLV / MOV																		
ML		2.7-107	5.5-120	4-500	0.02-2.5	-55 to +125 °C	Surface Mount	Not Applicable										
CH		14-275	18-369	100-400	1.0-8.0	-55 to +125 °C	Surface Mount	Not Applicable	•									
SM7		115-510	369-675	1200	10-40	-55 to +85 °C	Surface Mount	Not Applicable	•									
SM20		20-320	26	2000-6500	20-150		Surface Mount	Not Applicable	•									
RADIAL LEADED MOV																		
UltraMOV™		130-625	170-825	1750-10000	12.5-720	-55 to +85 °C	Radial Leaded	7, 10, 14, 20 mm	•	•	•	•	•	•	•	•		
UltraMOV™ 25S		115-750	150-970	22000	230-890			25 mm	•	•	•	•	•	•	•	•	•	•
C-III		130-660	—	3500-9000	40-530			10, 14, 20 mm	•	•	•	•	•	•	•	•	•	•
LA		130-1000	175-1200	1200-6500	11-360			7, 10, 14, 20 mm	•	•	•	•	•	•	•	•	•	•
ZA		4-460	5.5-615	50-6500	0.1-52			5, 7, 10, 14, 20 mm	•	•	•	•	•	•	•	•	•	•
THERMALLY PROTECTED MOV																		
SMOV™ 25S		115-750	150-970	20000	170-670	-45 to +75 °C	Industrial Packaged Radial Leads	25 mm	•							•		
SMOV™ 34S		115-750	150-970	40000	280-1200	-45 to +75 °C	Industrial Packaged Radial Leads	34 mm	•							•		
TMOV® 25S		115-750	150-970	20000	170-670	-55 to +85 °C	Radial Leaded	25 mm	•		•	•	•	•	•	•		
TMOV® 34S		115-750	150-970	40000	235-1050			34 mm	•		•	•	•	•	•	•	•	•
TMOV®/iTMOV®		115-750	150-970	6000-10000	35-480			14, 20 mm	•		•	•	•	•	•	•	•	•

Solar Products

SE-601 SERIES (PGR-2601)

Dc Ground-Fault Monitor



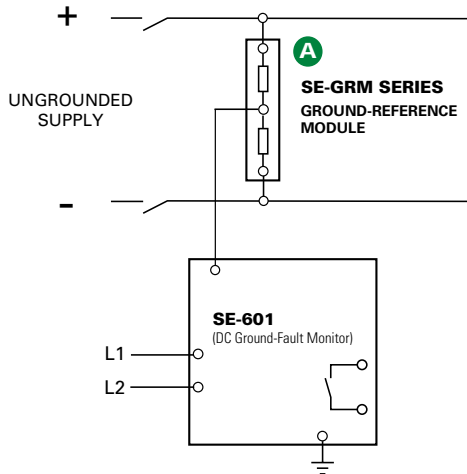
Description

The SE-601 is a microprocessor-based ground-fault relay for ungrounded dc systems. It provides sensitive ground-fault protection without the problems associated with nuisance tripping. Ground-fault current is sensed using an SE-GRM Series Ground-Reference Module—a resistor network that limits ground-fault current to 25 mA. The SE-601 is used on ungrounded dc systems ranging from industrial 24 V dc control circuits to 1000 V dc solar and transportation systems.

Features & Benefits

FEATURES	BENEFITS
Adjustable pickup (1-20 mA)	Ten settings provide a wide range of low-level protection
Adjustable time delay (50 ms-2.5 s)	Adjustable trip delay allows quick protection or delayed response
Output contacts	Form A and Form B output contacts for operation of separate annunciation and trip circuits
Analog output (0-5 V)	Provides means for connecting to a meter (PGA-0500) or a control system
Non-volatile trip memory	Retains trip state when de-energized to simplify troubleshooting
Selectable contact operating mode	Selectable fail-safe or non-fail-safe operating modes allow connection to shunt or undervoltage breaker coil
Microprocessor-based	No calibration required saves on maintenance cost

Simplified Circuit Diagram



6

Ordering Information

ORDERING NUMBER	CONTROL POWER
SE-601-OU	120/240 V ac/V dc
SE-601-OD	12/24 V dc
SE-601-OT	48 V dc

ACCESSORIES	REQUIREMENT
SE-GRM SERIES	Required
PGA-0500	Optional
PMA-55	Optional
PMA-60	Optional

Note: For optional conformal coating please consult factory.

Accessories

SE-GRM Series Ground-Reference Module
Required accessory, used to connect the SE-601 dc Ground-Fault Monitor to the dc bus.

PGA-0500 Analog % Current Meter
Optional panel-mounted analog meter displays ground-fault current as a percentage of 22 mA.

Specifications

IEEE Device Numbers	Dc Overcurrent Relay (76G)
Input Voltage	See ordering information
Dimensions	H 75 mm (3.0"); W 55 mm (2.2"); D 115 mm (4.5")
Trip Level Settings	1-20 mA
Trip Time Settings	0.05-2.5 s
Output Contacts	Isolated Form A and Form B
Contact Operating Mode	Selectable fail-safe or non-fail-safe
Test Button	Local
Reset Button	Local and remote
Analog Output	0-5 V
Conformally Coated	Consult factory
Approvals	CSA certified, UL Listed (E340889), CE (European Union), C-Tick (Australian)
Warranty	5 years
Mounting	DIN, surface (standard) Panel (with PMA-55 or PMA-60 adapter)

Solar Products

EL731 SERIES

Ac/Dc Sensitive Earth-Leakage Relay

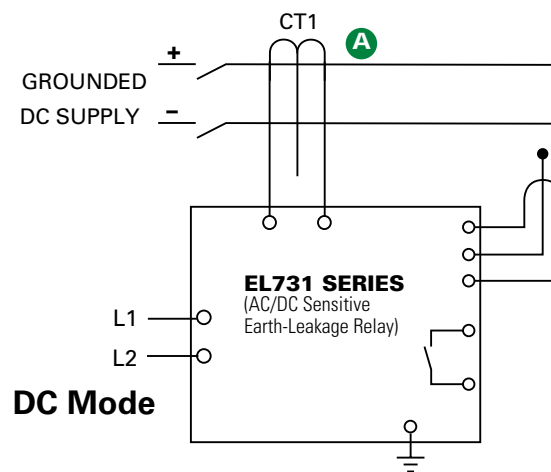
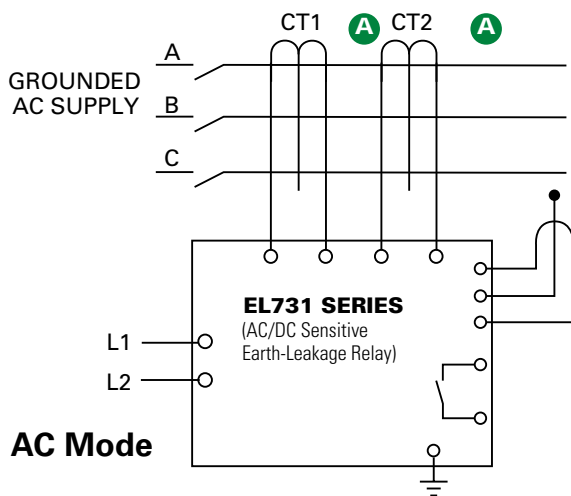


Description



The EL731 is a microprocessor-based ac/dc Sensitive Earth-Leakage Relay that offers complete coverage for all frequencies from 0 to 6,000 Hz. Two CTs are required for the entire frequency range, or one CT can be used for only low- or high-frequency detection. An RTD/PTC sensor input allows over-temperature protection for a motor or drive. The EL731 offers metering, password-protected alarm and trip settings and optional network communications. It is primarily used to add low-level ground-fault protection to variable-speed drives, and to dc circuits.

Simplified Circuit Diagram



Ordering Information

ORDERING NUMBER	CONTROL POWER	COMMUNICATIONS
EL731-00-X0	120/240 V ac/V dc	None
EL731-01-X0	120/240 V ac/V dc	DeviceNet*
EL731-02-X0	120/240 V ac/V dc	Profibus*
EL731-03-X0	120/240 V ac/V dc	EtherNet/IP*
EL731-04-X0	120/240 V ac/V dc	Modbus* TCP
EL731-10-X0	48 V dc & 24 V ac	None
EL731-11-X0	48 V dc & 24 V ac	DeviceNet
EL731-12-X0	48 V dc & 24 V ac	Profibus
EL731-13-X0	48 V dc & 24 V ac	EtherNet/IP
EL731-14-X0	48 V dc & 24 V ac	Modbus TCP
EL731-20-X0	24 V dc	None
EL731-21-X0	24 V dc	DeviceNet
EL731-22-X0	24 V dc	Profibus
EL731-23-X0	24 V dc	EtherNet/IP
EL731-24-X0	24 V dc	Modbus TCP

Note: When building a part number, replace the "X" with "1" for AS/NZS 2081:2011 Compliant product, "0" otherwise.
 *DeviceNet, Profibus, EtherNet/IP and Modbus TCP are trademarks of their respective owners.

Accessories

A **EFCT Series Earth-Fault Current Transformer**
 Required zero-sequence current transformer specifically designed for low-level detection.

AC700-CUA Series Communication Adapter
 Optional network-interface and firmware-upgrade communications adapters field-install in EL731.

AC700-SMK DIN-rail & Surface-mount Adapter
 EL731 plugs into adapter for back-plane mounting.

ACCESSORIES	REQUIREMENT
EFCT Series CT	One Required
AC700-CUA Series Com. Unit	Optional
AC700-SMK Surface-Mount Kit	Optional
AC700-CVR-00 Watertight Cover (IP66) for Panel-Mount Applications	Optional
PGA-0520 Analog Meter	Optional

Solar Products

SPD2 PV SERIES

Class 2 (IEC)/Type 2 (EN)/Type 1CA (UL)
Pluggable Multi-Pole Surge Protective Device
for PV Systems

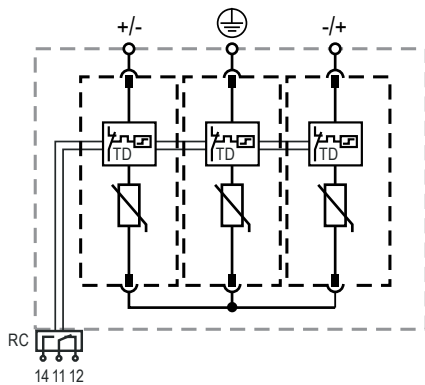


Description

Surge protective devices (SPDs) provide equipment protection from transient overvoltage events lasting micro-seconds. By limiting the overvoltage to the equipment during these events, costly damage and downtime can be mitigated.

The surge protective devices for solar string box and inverter applications are available in 1100 and 1500 V dc in the 3+0 configuration.

Internal Configuration



Legend

- Protective Earth
- RC Optional Remote Contact
- TD Thermal Disconnection

Features & Benefits

FEATURES	BENEFITS
Capability to clamp and withstand high-energy transients	Ensures low-residual voltage during high-energy surge events and higher nominal discharge current to prevent disruption, downtime, and degradation or damage to equipment
No additional overcurrent protection devices required in UL applications	Reduces the number of components and costs required for protection
Compact footprint	Increases panel design flexibility
Visual life indicator	Quick visual determines module replacement status to avoid loss of protection
Pluggable modules	Fast and simple to replace, minimizing maintenance and downtime. No tools required
Thermal protection	Eliminates catastrophic failure
IP20 protection rating	Finger-safe design increases worker protection

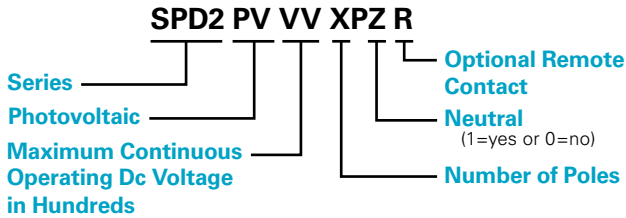
Module & Base Ordering Information

Ordering Number	IEC Electrical						UL Electrical				Single Unit Weight
	Maximum Continuous Operating Dc Voltage (U_{CPV})	Nominal Discharge Current (8/20 μ s) (I_n)	Maximum Discharge Current (8/20 μ s) (I_{max})	Total Discharge Current (I_{Total})	Voltage Protection Level (U_p)	Short-Circuit Current Rating (I_{SCPV})	Maximum Permitted Dc Voltage (U_{pVdc})	Voltage Protection Rating (VPR)	Nominal Discharge Current (8/20 μ s) (I_n)	Short-Circuit Current Rating (SCCR)	
SPD2-PV11-3PO SPD2-PV11-3PO-R	1100 V	20 kA	40 kA	50 kA	4200 V	9 kA	1100 V	3000 V	20 kA	50 kA	333 g (0.734 lb)
SPD2-PV15-3PO SPD2-PV15-3PO-R	1500 V	15 kA	40 kA	40 kA	4800 V	9 kA	1500 V	4000 V	20 kA	65 kA	363 g (0.800 lb)

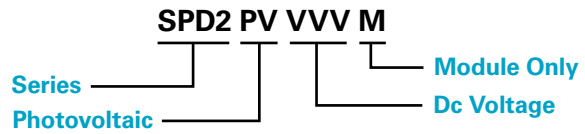
Solar Products

SPD2 PV SERIES

Module & Base Part Numbering System



Module Only Part Numbering System



Replacement Module Ordering Information

Ordering Number	IEC Electrical						UL Electrical				Single Unit Weight
	Maximum Continuous Operating Dc Voltage (U_{CPV})	Nominal Discharge Current (8/20 μ s) (I_n)	Maximum Discharge Current (8/20 μ s) (I_{max})	Total Discharge Current (I_{Total})	Voltage Protection Level (U_p)	Short-Circuit Current Rating (I_{SCPV})	Maximum Permitted Dc Voltage (U_{pVdc})	Voltage Protection Rating (VPR)	Nominal Discharge Current (8/20 μ s) (I_n)	Short-Circuit Current Rating (SCCR)	
SPD2-PV550-M	1100 V	20 kA	40 kA	50 kA	4200 V	9 kA	1100 V	3000 V	20 kA	50 kA	61 g (0.134 lb)
SPD2-PV750-M	1500 V	15 kA	40 kA	40 kA	4800 V	9 kA	1500 V	4000 V	20 kA	65 kA	71 g (0.157 lb)

Specifications

Mode of Protection	(+) - PE, (-) - PE, (+) - (-)
Nominal Discharge Current (8/20 μs) (I_n)	20 kA
Maximum Discharge Current (8/20 μs) (I_{max})	Up to 40 kA
Protective Elements	High Energy MOV
Response Time (t_A)	< 25 ns
Number of Ports	1
Mechanical & Environmental	
Operating Temperature Range (T_a)	-40 °C to +80 °C (-40 °F to +185 °F)
Permissible Operating Humidity (RH)	5% to 95%
Altitude (max)	4,000 m (13,123 ft)
Terminal Screw Torque (M_{max})	4.5 Nm (39.9 lbf-in)
Conductor Cross Section (max)	35 mm ² (2 AWG) (Solid, Stranded)/ 25 mm ² (4 AWG) (Flexible)
Mounting	35 mm DIN Rail, EN60715
Degree of Protection	IP20 (built-in)
Housing Material	Thermoplastic: Extinguishing Degree UL 94 V-0
Thermal Protection	Yes

Operating State/Fault Indication	Green Flag/No Green Flag
Remote Contact Switching Capacity	Ac: 250 V/1 A, 125 V/1 A; Dc: 48 V/0.5 A, 24 V/0.5 A, 12 V/0.5 A
Remote Contact Conductor Cross Section (max)	1.5 mm ² (16 AWG) (Solid)
Standards Passed	EN 50539-11:2013+A1:2014 UL 1449 4th Edition; E320116

Product Dimensions	
3TE Module and Base	H 90.7 mm (3.57"); W 53.8 mm (2.11"); D 66.1 mm (2.60")
1TE Replacement Module	H 45.0 mm (1.77"); W 18.0 mm (0.71"); D 57.2 mm (2.25")
Package Dimensions	
3TE Module and Base	H 102.0 mm (4.01"); W 64.0 mm (2.52"); D 110.0 mm (4.33")
1TE Replacement Module	H 102.0 mm (4.01"); W 28.0 mm (1.10"); D 110.0 mm (4.33")

Warranty – Visit www.littelfuse.com/warranty for details.

Solar Products

LS7R0250 1500 V DC DISCONNECT SWITCH

1500 V Dc • 250 A

REACH EAC CE IEC UL RoHS



Description

The Littelfuse LS7R dc series is an energy-efficient, compact disconnect switch that quickly breaks or resumes the flow of current safely to prevent shock hazards when trying to isolate circuits or repair systems. It is a 1500 V dc disconnect for ungrounded systems.

Features/Benefits

- The patented operation system minimizes damage caused by arcs upon disconnection to increase product reliability and longevity
- Streamline design eliminates the need for external bridging links (jumpers) to lower heat dissipation for increased energy efficiency, decreased installation and maintenance time, and reduced footprint for added design flexibility
- High-level disconnection insulation provides a barrier to stop conduction when switch is in off position for added safety
- The self-cleaning blade contacts eliminate performance degradation (from increased electrical resistance over time) to ensure consistent behavior across the product's lifespan
- The internally-located "sandwich-type" 2-contact symmetrical design mitigates the electromagnetic force of repulsion to offer enhanced functionality in short-circuit conditions
- Meets UL 94 flammability requirements with self-extinguishing/non-flammable materials to prevent fires

Applications

- Solar/PV systems: combiner boxes, recombiner boxes and inverters
- Energy storage systems: disconnection of batteries, containerized batteries
- Oil & gas: dc drives
- Railway: earthing switches and battery disconnection
- UPS: switching and isolation of batteries
- Electrical vehicle chargers

Specifications

UL 98B Standards

Total Voltage Rating	1500 V dc
Amperage Rating	250 A
SCCR Rating	10 kA
Ambient Temperature	-20 to 50 °C (-4 to 122 °F)

IEC 60947-3 Standards

Insulation Voltage Rating Ui	1500 V dc
Impulse Withstand Voltage	

Rating Uimp	12 kV
--------------------	-------

Operational Current	
DC21B Rating	250 A / 1500 V dc

Other Characteristics

Power Losses at 250 A	8.26 watts
------------------------------	------------

Maximum Busbar

Connection Range	1 bar x 5 mm (.20") H x 32 mm (1.25") L
-------------------------	---

Number of Circuits/Switches	1
------------------------------------	---

Tightening Torque	159 lbf-in (18 N·m)
--------------------------	---------------------

Material	Plastic housing Silver-plated copper terminals
-----------------	---

Base Mounting	Screws
----------------------	--------

Flammability Rating	UL 94 V-0
----------------------------	-----------

Approvals	UL 98B & UL 94 UL Guide WHVA UL Listed E511898 NEC Article 690 for PV systems IEC-60947-3
------------------	---

	CE
--	----

	EAC
--	-----

Environmental	RoHS compliant
----------------------	----------------

	REACH
--	-------

Country of Origin	Spain
--------------------------	-------

Recommended Accessories

- **Panel Handle with Shaft LDSSA11**
For closed panel door access
- **Direct Handle LDSS11**
For open panel door access
- **Auxiliary Contact LDMAU11**
Remotely indicates switch position
- **Spacers LDME11**
Increase distance between switch and mounting plate

Solar Products

LS7R0250 1500 V DC DISCONNECT SWITCH

Part Numbering System

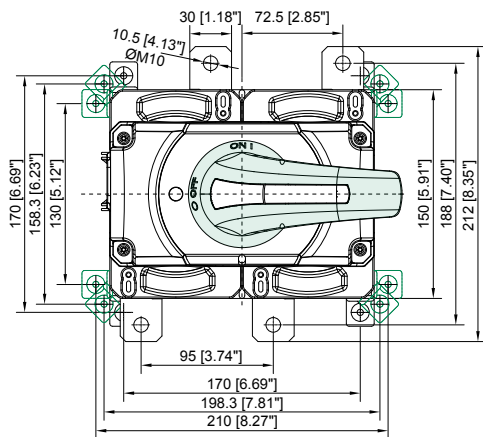


Ordering Information

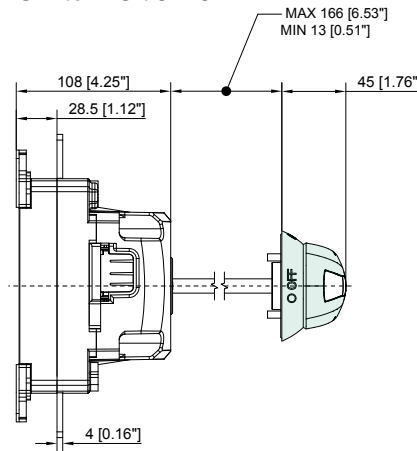
DC DISCONNECT SWITCH					
PART NUMBER	VOLTAGE	AMPERAGE	INSTALLATION	CONFIGURATION	SINGLE UNIT WEIGHT
LS7R02502PS00L	1500 V dc	250 A	Ungrounded	Type 2P	3 kg

Dimensions Millimeters (Inches)

Dc Disconnect Switch

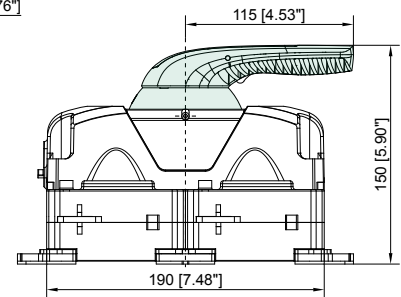


Switch - Side View

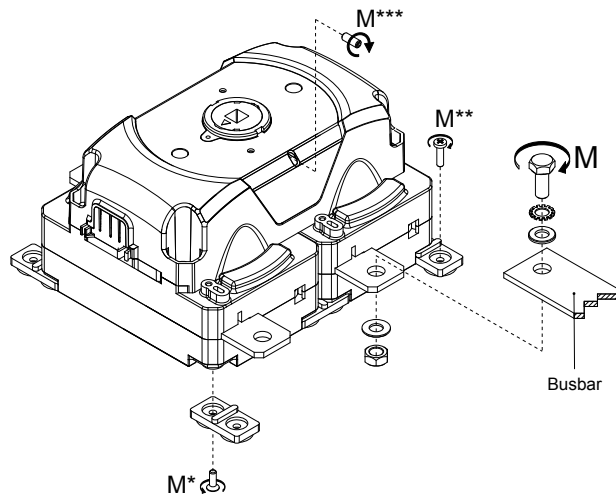


Panel Handle with Shaft

LDSSA11



Switch - 3D Installation View



Busbar

QTY	TYP	COPPER BUSBAR M (TERMINAL TORQUE) (+5% -10%)		COPPER BUSBAR H MAX (CU)		COPPER BUSBAR L MAX (CU)		
		N•M	LBF•INCH	MM	INCH	MM	INCH	
1	M10	18	159	5	13/64	32	1 ¼	
M	TYP	M (+5% -10%)		MINIMUM BUSBAR SECTION ACCORDING TO UL 98B				
		N•M	LBF•INCH					
*	T20	M4	1.2	10.6				
**	—	M4	1.5	13.3				
***	Allen	M5	1.5	13.3				

8

Solar Products

LS7R0320 1500 V DC DISCONNECT SWITCH

1500 V Dc • 320 A

REACH EAC CE IEC UL RoHS



Description

The Littelfuse LS7R dc series is an energy-efficient, compact disconnect switch that quickly breaks or resumes the flow of current safely to prevent shock hazards when trying to isolate circuits or repair systems. It is a 1500 V dc disconnect for ungrounded systems.

Features/Benefits

- The patented operation system minimizes damage caused by arcs upon disconnection to increase product reliability and longevity
- Streamline design eliminates the need for external bridging links (jumpers) to lower heat dissipation for increased energy efficiency, decreased installation and maintenance time, and reduced footprint for added design flexibility
- High-level disconnection insulation provides a barrier to stop conduction when switch is in off position for added safety
- The self-cleaning blade contacts eliminate performance degradation (from increased electrical resistance over time) to ensure consistent behavior across the product's lifespan
- The internally-located "sandwich-type" 2-contact symmetrical design mitigates the electromagnetic force of repulsion to offer enhanced functionality in short-circuit conditions
- Meets UL 94 flammability requirements with self-extinguishing/non-flammable materials to prevent fires

Applications

- Solar/PV systems: combiner boxes, recombiner boxes and inverters
- Energy storage systems: disconnection of batteries, containerized batteries
- Oil & gas: dc drives
- Railway: earthing switches and battery disconnection
- UPS: switching and isolation of batteries
- Electrical vehicle chargers

Specifications

UL 98B Standards

Total Voltage Rating	1500 V dc
Amperage Rating	320 A
SCCR Rating	10 kA
Ambient Temperature	-20 to 50 °C (-4 to 122 °F)

IEC 60947-3 Standards

Insulation Voltage Rating Ui	1500 V dc
Impulse Withstand Voltage	

Rating Uimp	12 kV
--------------------	-------

Operational Current	
DC21B Rating	320 A / 1500 V dc

Other Characteristics

Power Losses at 320 A	13.55 watts
------------------------------	-------------

Maximum Busbar

Connection Range	1 bar x 5 mm (.20") H x 40 mm (1.58") L
-------------------------	---

Number of Circuits/Switches	1
------------------------------------	---

Tightening Torque	159 lbf-in (18 N·m)
--------------------------	---------------------

Material	Plastic housing Silver-plated copper terminals
-----------------	---

Base Mounting	Screws
----------------------	--------

Flammability Rating	UL 94 V-0
----------------------------	-----------

Approvals	UL 98B & UL 94 UL Guide WHVA UL Listed E511898 NEC Article 690 for PV systems IEC-60947-3
------------------	---

	CE EAC
--	-----------

Environmental	RoHS compliant
----------------------	----------------

	REACH
--	-------

Country of Origin	Spain
--------------------------	-------

Recommended Accessories

- **Panel Handle with Shaft LDSSA11**
For closed panel door access
- **Direct Handle LDSS11**
For open panel door access
- **Auxiliary Contact LDMAU11**
Remotely indicates switch position
- **Spacers LDME11**
Increase distance between switch and mounting plate

Solar Products

LS7R0400 1500 V DC DISCONNECT SWITCH

1500 V Dc • 400 A

REACH EAC CE IEC UL RoHS



Description

The Littelfuse LS7R dc series is an energy-efficient, compact disconnect switch that quickly breaks or resumes the flow of current safely to prevent shock hazards when trying to isolate circuits or repair systems. It is a 1500 V dc disconnect for ungrounded systems.

Features/Benefits

- The patented operation system minimizes damage caused by arcs upon disconnection to increase product reliability and longevity
- Streamline design eliminates the need for external bridging links (jumpers) to lower heat dissipation for increased energy efficiency, decreased installation and maintenance time, and reduced footprint for added design flexibility
- High-level disconnection insulation provides a barrier to stop conduction when switch is in off position for added safety
- The self-cleaning blade contacts eliminate performance degradation (from increased electrical resistance over time) to ensure consistent behavior across the product's lifespan
- The internally-located "sandwich-type" 2-contact symmetrical design mitigates the electromagnetic force of repulsion to offer enhanced functionality in short-circuit conditions
- Meets UL 94 flammability requirements with self-extinguishing/non-flammable materials to prevent fires

Applications

- Solar/PV systems: combiner boxes, recombiner boxes and inverters
- Energy storage systems: disconnection of batteries, containerized batteries
- Oil & gas: dc drives
- Railway: earthing switches and battery disconnection
- UPS: switching and isolation of batteries
- Electrical vehicle chargers

Specifications

UL 98B Standards

Total Voltage Rating	1500 V dc
Amperage Rating	400 A
SCCR Rating	10 kA
Ambient Temperature	-20 to 50 °C (-4 to 122 °F)

IEC 60947-3 Standards

Insulation Voltage Rating Ui	1500 V dc
Impulse Withstand Voltage	

Rating Uimp 12 kV

Operational Current

DC21B Rating 400 A / 1500 V dc

Other Characteristics

Power Losses at 400 A 21.15 watts

Maximum Busbar

Connection Range 2 bars x 4 mm (.16") H x 32 mm (1.25") L

Number of Circuits/Switches 1

Tightening Torque

Material 159 lbf-in (18 N·m) for M10 screw

Material Plastic housing

Silver-plated copper terminals

Base Mounting Screws

Flammability Rating UL 94 V-0

Approvals UL 98B & UL 94

UL Guide WHVA

UL Listed E511898

NEC Article 690 for PV systems

IEC-60947-3

CE

EAC

Environmental RoHS compliant

REACH

Country of Origin Spain

Recommended Accessories

- **Panel Handle with Shaft LDSSA11**
For closed panel door access
- **Direct Handle LDSS11**
For open panel door access
- **Auxiliary Contact LDMAU11**
Remotely indicates switch position
- **Spacers LDME11**
Increase distance between switch and mounting plate

Solar Products

LS7R0400 1500 V DC DISCONNECT SWITCH

Part Numbering System

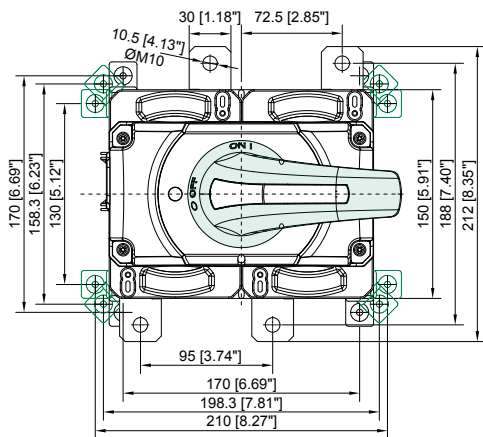


Ordering Information

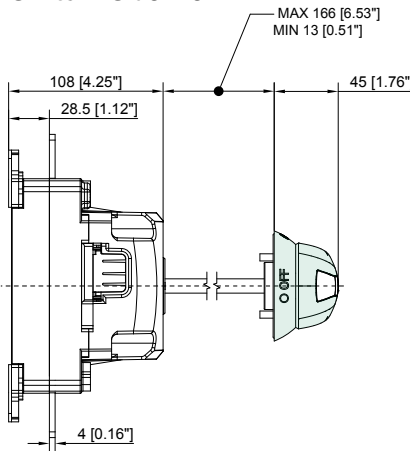
DC DISCONNECT SWITCH					
PART NUMBER	VOLTAGE	AMPERAGE	INSTALLATION	CONFIGURATION	SINGLE UNIT WEIGHT
LS7R04002PS00L	1500 V dc	400 A	Ungrounded	Type 2P	3 kg

Dimensions Millimeters (Inches)

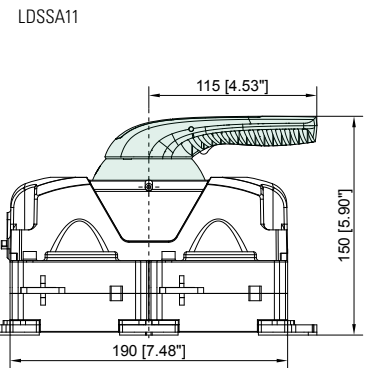
Dc Disconnect Switch



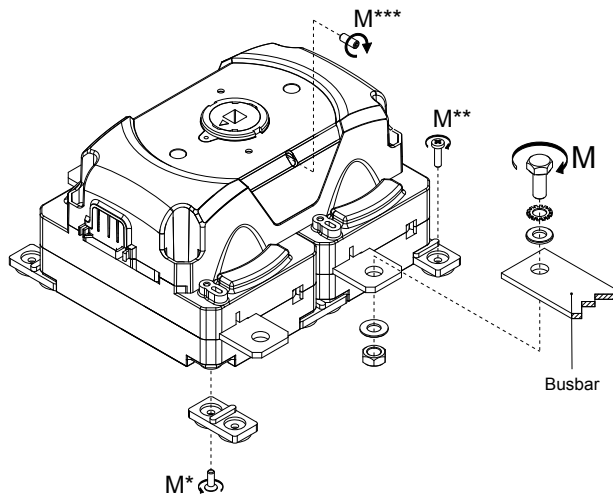
Switch - Side View



Panel Handle with Shaft



Switch - 3D Installation View



Busbar

QTY	T	COPPER BUSBAR M (TERMINAL TORQUE) (+5% -10%)		COPPER BUSBAR H MAX (CU)		COPPER BUSBAR L MAX (CU)	
		N•M	LBF•INCH	MM	INCH	MM	INCH
2	M10	18	159	4	5/32	32	1¼
M	T	M (+5% -10%)		MINIMUM BUSBAR SECTION ACCORDING TO UL 98B			
		N•M	LBF•INCH				
*	T20	M4	1.2	10.6			
**	—	M4	1.5	13.3			
***	Allen	M5	1.5	13.3			

8

Solar Products

LS7R0500 1500 V DC DISCONNECT SWITCH

1500 V Dc • 500 A

REACH EAC CE IEC UL RoHS



Description

The Littelfuse LS7R dc series is an energy-efficient, compact disconnect switch that quickly breaks or resumes the flow of current safely to prevent shock hazards when trying to isolate circuits or repair systems. It is a 1500 V dc disconnect for ungrounded systems.

Features/Benefits

- The patented operation system minimizes damage caused by arcs upon disconnection to increase product reliability and longevity
- Streamline design eliminates the need for external bridging links (jumpers) to lower heat dissipation for increased energy efficiency, decreased installation and maintenance time, and reduced footprint for added design flexibility
- High-level disconnection insulation provides a barrier to stop conduction when switch is in off position for added safety
- The self-cleaning blade contacts eliminate performance degradation (from increased electrical resistance over time) to ensure consistent behavior across the product's lifespan
- The internally-located "sandwich-type" 2-contact symmetrical design mitigates the electromagnetic force of repulsion to offer enhanced functionality in short-circuit conditions
- Meets UL 94 flammability requirements with self-extinguishing/non-flammable materials to prevent fires

Applications

- Solar/PV systems: combiner boxes, recombiner boxes and inverters
- Energy storage systems: disconnection of batteries, containerized batteries
- Oil & gas: dc drives
- Railway: earthing switches and battery disconnection
- UPS: switching and isolation of batteries
- Electrical vehicle chargers

Specifications

UL 98B Standards

Total Voltage Rating	1500 V dc
Amperage Rating	500 A
SCCR Rating	10 kA
Ambient Temperature	-20 to 50 °C (-4 to 122 °F)

IEC 60947-3 Standards

Insulation Voltage Rating Ui	1500 V dc
Impulse Withstand Voltage	

Rating Uimp 12 kV

Operational Current

DC21B Rating 500 A / 1500 V dc

Other Characteristics

Power Losses at 500 A 33.05 watts

Maximum Busbar

Connection Range 2 bars x 5 mm (.20") **H** x 32 mm (1.25") **L**

Number of Circuits/Switches 1

Tightening Torque 212 lbf-in (24 N-m)

Material

Plastic housing

Silver-plated copper terminals

Screws

Flammability Rating UL 94 V-0

Approvals UL 98B & UL 94

UL Guide WHVA

UL Listed E511898

NEC Article 690 for PV systems

IEC-60947-3

CE

EAC

Environmental RoHS compliant

REACH

Country of Origin Spain

Recommended Accessories

▪ Panel Handle with Shaft LDSSA11

For closed panel door access

▪ Direct Handle LDSS11

For open panel door access

▪ Auxiliary Contact LDMAU11

Remotely indicates switch position

▪ Spacers LDMEL11

Increase distance between switch and mounting plate

Solar Products

LS7R0500 1500 V DC DISCONNECT SWITCH

Part Numbering System

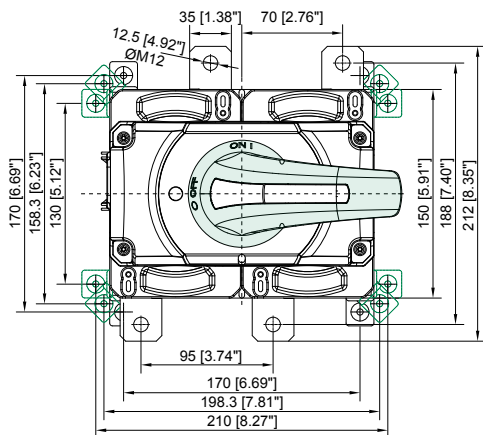


Ordering Information

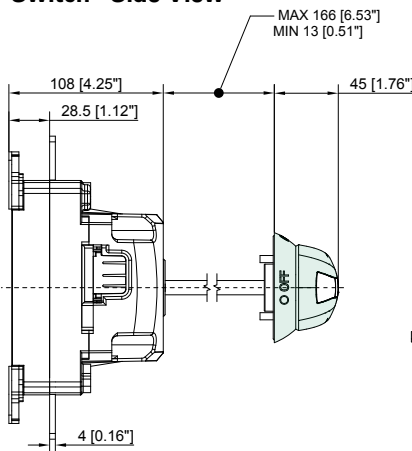
DC DISCONNECT SWITCH					
PART NUMBER	VOLTAGE	AMPERAGE	INSTALLATION	CONFIGURATION	SINGLE UNIT WEIGHT
LS7R05002PS00L	1500 V dc	500 A	Ungrounded	Type 2P	3 kg

Dimensions Millimeters (Inches)

Dc Disconnect Switch

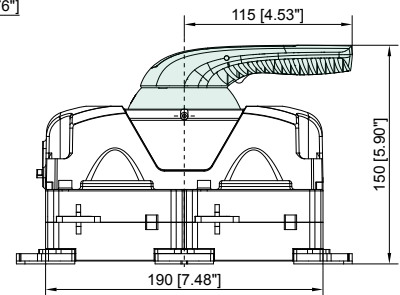


Switch - Side View

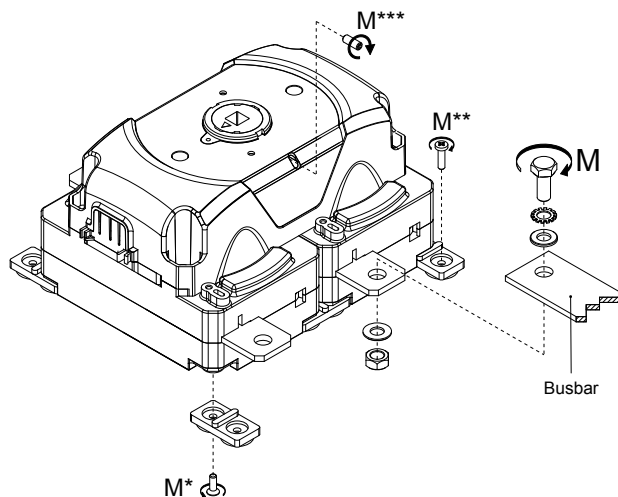


Panel Handle with Shaft

LDSSA11



Switch - 3D Installation View



Busbar

QTY	T	COPPER BUSBAR M (TERMINAL TORQUE) (+5% -10%)		COPPER BUSBAR H MAX (CU)		COPPER BUSBAR L MAX (CU)	
		N•M	LBF•INCH	MM	INCH	MM	INCH
2	M12	24	212	5	13/64	32	1¼
M	T	M (+5% -10%)		MINIMUM BUSBAR SECTION ACCORDING TO UL 98B			
		N•M	LBF•INCH				
*	T20	M4	1.2	10.6			
**	—	M4	1.5	13.3			
***	Allen	M5	1.5	13.3			

Solar Products

LS6R0250 1500 V DC SERIES DISCONNECT SWITCH

1500 V Dc • 250 A

REACH EAC CE IEC UL RoHS



Type CB
Dc Ungrounded



Type 4D
Dc Grounded with handle attached



Description

The Littelfuse LS6R dc series is an energy-efficient, compact disconnect switch that quickly breaks or resumes the flow of current safely to prevent shock hazards when trying to isolate circuits or repair systems.

Features/Benefits

- The patented operation system minimizes damage caused by arcs upon disconnection to increase product reliability and longevity
- Streamline design eliminates the need for external bridging links (jumpers) to lower heat dissipation for increased energy efficiency, decreased installation and maintenance time, and reduced footprint for added design flexibility
- High-level disconnection insulation provides a barrier to stop conduction when switch is in off position for added safety
- The self-cleaning blade contacts eliminate performance degradation (from increased electrical resistance over time) to ensure consistent behavior across the product's lifespan
- The internally-located "sandwich-type" 2-contact symmetrical design mitigates the electromagnetic force of repulsion to offer enhanced functionality in short-circuit conditions
- Meets UL 94 flammability requirements with self-extinguishing/non-flammable materials to prevent fires

Applications

- Solar/PV systems: combiner boxes, recombiner boxes and inverters
- Energy storage systems: disconnection of batteries, containerized batteries
- Oil & gas: dc drives
- Railway: earthing switches and battery disconnection
- UPS: switching and isolation of batteries
- Electrical vehicle chargers

Specifications

UL 98B Standards

Total Voltage Rating	1500 V dc
Amperage Rating	250 A
SCCR Rating	10 kA
Ambient Temperature	-20 to 50 °C (-4 to 122 °F)

IEC 60947-3 Standards

Insulation Voltage Rating Ui	1500 V dc
Impulse Withstand Voltage	

Rating Uimp	12 kV
Operational Current	
DC21B Rating	250 A/1500 V dc

Other Characteristics

Power Losses at 250 A	4.13 watts
Maximum Busbar	
Connection Range	2 bars x 4 mm (.16") H x 30 mm (1.18") L
Number of Circuits/Switches	1
Mechanical Operations	8,000
Tightening Torque	212 lbf-in (24 N·m)
Material	Plastic housing Silver-plated copper terminals
Base Mounting	Screws
Flammability Rating	UL 94 V-0
Approvals	UL 98B & UL 94 UL Guide WHVA UL Listed E511898 NEC Article 690 for PV systems IEC-60947-3 CE EAC
Environmental	RoHS compliant REACH
Country of Origin	Spain

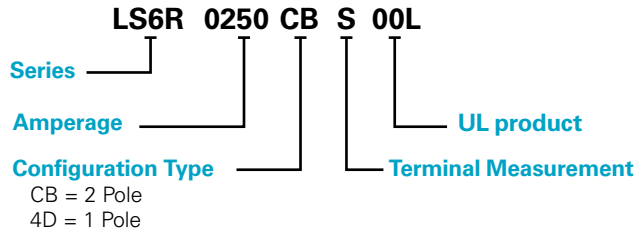
Recommended Accessories

- **Panel Handle with Shaft LDSSA11**
For closed panel door access
- **Direct Handle LDSS111**
For open panel door access
- **Auxiliary Contact LD5LAU01**
Remotely indicates switch position

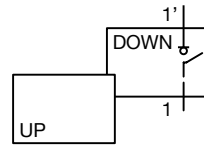
Solar Products

LS6R0250 1500 V DC SERIES DISCONNECT SWITCH

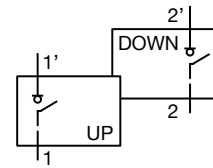
Part Numbering System



Configuration



Type 4D (1 Pole)



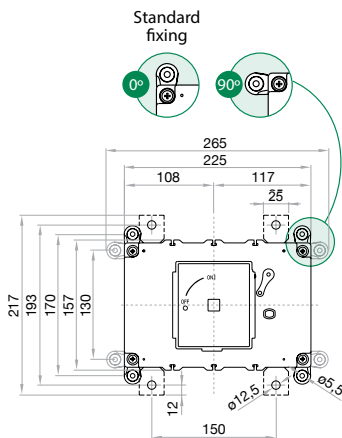
Type CB (2 Pole)

Ordering Information

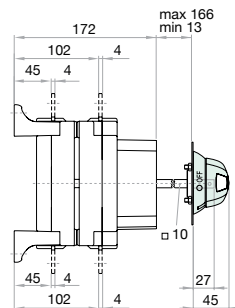
DC DISCONNECT SWITCH						
SERIES	TOTAL VOLTAGE	AMPERAGE	INSTALLATION	CONFIGURATION	POLES	SINGLE UNIT WEIGHT
LS6R02504DS00L	1500 V dc	250 A	Grounded	Type 4D	1	4.5 kg
LS6R0250CBS00L	1500 V dc	250 A	Ungrounded	Type CB	2	4.5 kg

Dimensions Millimeters

Dc Disconnect Switch

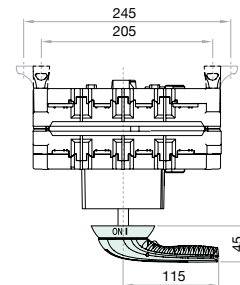


Switch - Side View



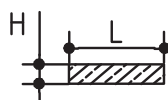
Panel Handle with Shaft

LDSSA11



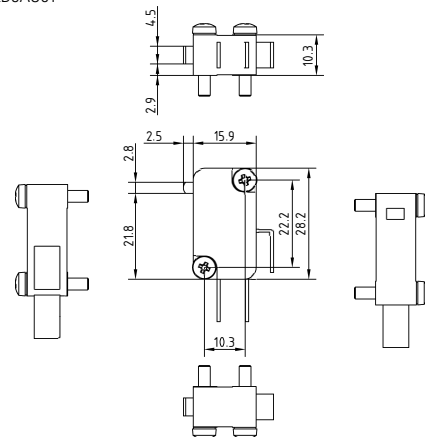
Busbar

BUSBAR H MAX (CU)		BUSBAR L MAX (CU)		COPPER BAR M (TERMINAL TORQUE) (+5 % -10 %)	
MM	INCH	MM	INCH		
4	5/32	36	1 3/16	M12	
				N•M	LB. INCH
				24	212



Auxiliary Contact

LD5AU01



Solar Products

LS6R0400 1500 V DC SERIES DISCONNECT SWITCH

1500 V Dc • 400 A

REACH EAC CE IEC UL RoHS



Type CB
Dc Ungrounded



Type 4D
Dc Grounded with handle attached



Description

The Littelfuse LS6R dc series is an energy-efficient, compact disconnect switch that quickly breaks or resumes the flow of current safely to prevent shock hazards when trying to isolate circuits or repair systems.

Features/Benefits

- The patented operation system minimizes damage caused by arcs upon disconnection to increase product reliability and longevity
- Streamline design eliminates the need for external bridging links (jumpers) to lower heat dissipation for increased energy efficiency, decreased installation and maintenance time, and reduced footprint for added design flexibility
- High-level disconnection insulation provides a barrier to stop conduction when switch is in off position for added safety
- The self-cleaning blade contacts eliminate performance degradation (from increased electrical resistance over time) to ensure consistent behavior across the product's lifespan
- The internally-located "sandwich-type" 2-contact symmetrical design mitigates the electromagnetic force of repulsion to offer enhanced functionality in short-circuit conditions
- Meets UL 94 flammability requirements with self-extinguishing/non-flammable materials to prevent fires

Applications

- Solar/PV systems: combiner boxes, recombiner boxes and inverters
- Energy storage systems: disconnection of batteries, containerized batteries
- Oil & gas: dc drives
- Railway: earthing switches and battery disconnection
- UPS: switching and isolation of batteries
- Electrical vehicle chargers

Specifications

UL 98B Standards

Total Voltage Rating	1500 V dc
Amperage Rating	400 A
SCCR Rating	10 kA
Ambient Temperature	-30 to 50 °C (-22 to 122 °F)

IEC 60947-3 Standards

Insulation Voltage Rating Ui	1500 V dc
Impulse Withstand Voltage	

Rating Uimp	12 kV
Operational Current	
DC21B Rating	400 A/1500 V dc

Other Characteristics

Power Losses at 400 A	10.58 watts
Maximum Busbar	
Connection Range	2 bars x 4 mm (.16") H x 32 mm (1.26") L
Number of Circuits/Switches	1
Mechanical Operations	8,000
Tightening Torque	212 lbf-in (24 N·m)
Material	Plastic housing Silver-plated copper terminals
Base Mounting	Screws
Flammability Rating	UL 94 V-0
Approvals	UL 98B & UL 94 UL Guide WHVA UL Listed E511898 NEC Article 690 for PV systems IEC-60947-3 CE EAC
Environmental	RoHS compliant REACH
Country of Origin	Spain

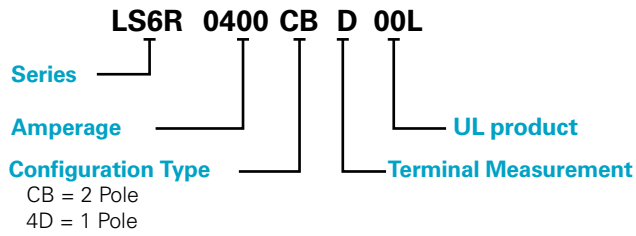
Recommended Accessories

- **Panel Handle with Shaft LDSSA11**
For closed panel door access
- **Direct Handle LDSS11**
For open panel door access
- **Auxiliary Contact LD5LAU01**
Remotely indicates switch position

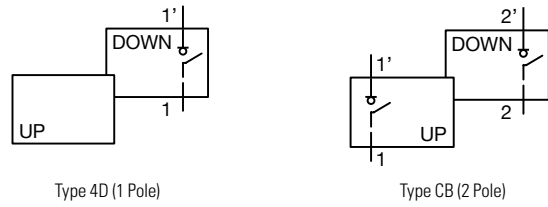
Solar Products

LS6R0400 1500 V DC SERIES DISCONNECT SWITCH

Part Numbering System



Configuration

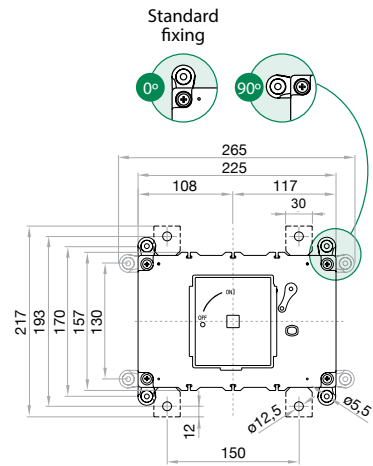


Ordering Information

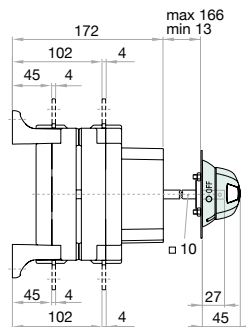
DC DISCONNECT SWITCH						
SERIES	TOTAL VOLTAGE	AMPERAGE	INSTALLATION	CONFIGURATION	POLES	SINGLE UNIT WEIGHT
LS6R04004DD00L	1500 V dc	400 A	Grounded	Type 4D	1	4.5 kg
LS6R0400CBD00L	1500 V dc	400 A	Ungrounded	Type CB	2	4.5 kg

Dimensions Millimeters

Dc Disconnect Switch

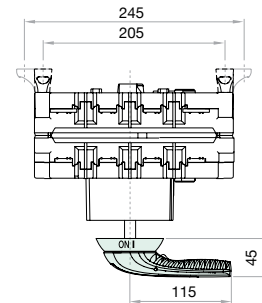


Switch - Side View



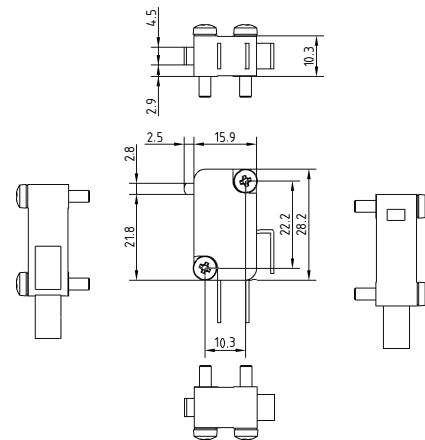
Panel Handle with Shaft

LDSSA11



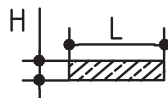
Auxiliary Contact

LD5AU01



Busbar

BUSBAR H MAX (CU)		BUSBAR L MAX (CU)		COPPERBAR M (TERMINAL TORQUE) (+5 % -10 %)	
MM	INCH	MM	INCH		
4	5/32	32	1¼	M12	
				N•M	24
				LB.INCH	212



Solar Products

LS60250 1000 V DC SERIES DISCONNECT SWITCH

1000 V Dc • 250 A

REACH ENEC CE IEC UL RoHS



Type 2E
Dc Ungrounded

Type 1M
Dc Grounded with Handle Attached



Description

The Littelfuse LS6 dc series is an energy-efficient, compact disconnect switch that quickly breaks or resumes the flow of current safely to prevent shock hazards when trying to isolate circuits or repair systems.

Features/Benefits

- Streamline design eliminates the need for external bridging links (jumpers) to lower heat dissipation for increased energy efficiency, decreased installation and maintenance time, and reduced footprint for added design flexibility
- High-level disconnection insulation provides a barrier to stop conduction when switch is in off position for added safety
- The self-cleaning blade contacts eliminate performance degradation (from increased electrical resistance over time) to ensure consistent behavior across the product's lifespan
- The internally-located "sandwich-type" 2-contact symmetrical design mitigates the electromagnetic force of repulsion to offer enhanced functionality in short-circuit conditions
- Meets UL 94 flammability requirements with self-extinguishing/non-flammable materials to prevent fires

Applications

- Solar/PV systems: combiner boxes, recombiner boxes and inverters
- Energy storage systems: disconnection of batteries, containerized batteries
- Oil & gas: dc drives
- Railway: earthing switches and battery disconnection
- UPS: switching and isolation of batteries
- Electrical vehicle chargers

Specifications

UL 98B Standards

Total Voltage Rating	1000 V dc
Amperage Rating	250 A
SCCR Rating	10 kA
Ambient Temperature	-20 to 50 °C (-4 to 122 °F)

IEC 60947-3 Standards

Insulation Voltage Rating U_i	1500 V dc
Impulse Withstand Voltage	

Rating U_{imp}	12 kV
Operational Current	

DC21B Rating	250 A/1000 V dc
--------------	-----------------

Other Characteristics

Power Losses at 250 A	19.59 watts
Minimum Connection	

Wire Range/AWG	400 kcmil/MCM (203 mm ²)
Maximum Connection	

Wire Range/AWG	500 kcmil/MCM (253 mm ²)
Number of Circuits/Switches	1

Mechanical Operations	8,000
-----------------------	-------

Tightening Torque	159 lbf-in (18 N·m)
-------------------	---------------------

Material	Plastic housing Silver-plated copper terminals
Base Mounting	Screws

Flammability Rating	UL 94 V-0
---------------------	-----------

Approvals	UL 98B & UL 94 UL Guide WHVA UL Listed E511898 NEC Article 690 for PV systems IEC-60947-3 CE EAC
-----------	--

Environmental	RoHS compliant
---------------	----------------

Country of Origin	REACH
-------------------	-------

	Spain
--	-------

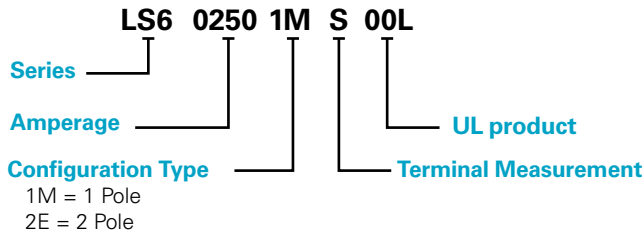
Recommended Accessories

- Panel handle with shaft **LDSSA11** for closed panel door access
- Direct handle **LDSSI11** for open panel door access
- Auxiliary contacts **LD5LAU01** remotely indicate switch position
- Phase barriers **LDRSF11 (Type 1M)** and **LDRSF13 (Type 2E)** isolate sections to eliminate arcing between the phases
- Terminal lug **LDRTL11W** safely connects electrical and mechanical devices (phase barriers must be used in order to maintain the required clearance)
- Terminal shrouds **LDRCU13W** offer protection against direct contact after wiring
- Spacers **LDREL11W** increase distance between switch and mounting plate

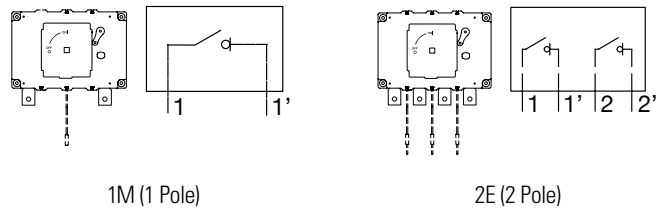
Solar Products

LS60250 1000 V DC SERIES DISCONNECT SWITCH

Part Numbering System



Configuration

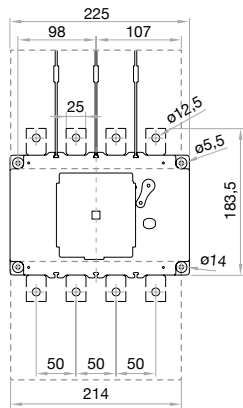


Ordering Information

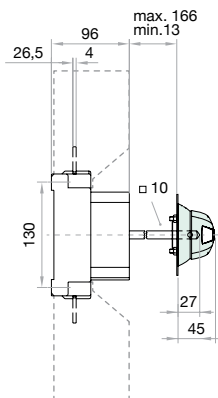
DC DISCONNECT SWITCH						
SERIES	TOTAL VOLTAGE	AMPERAGE	INSTALLATION	CONFIGURATION	POLES	SINGLE UNIT WEIGHT
LS602501MS00L	1000 V dc	250 A	Grounded	Type 1M	1	2 kg
LS602502ES00L	1000 V dc	250 A	Ungrounded	Type 2E	2	3 kg

Dimensions Millimeters

Dc Disconnect Switch

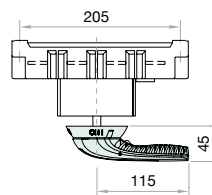


Switch + Direct Handle - Side View



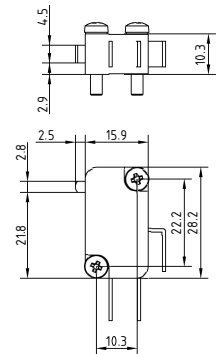
Panel Handle with Shaft

LDSSA11

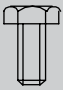


Auxiliary Contact

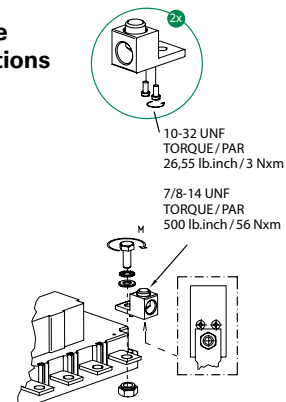
LD5AU01



Terminal Lug Measurements

LDRTL11W				
3/0 85 MM ² MIN. --- 400 KCMIL 240 MM ² MAX.	CONDUCTOR TEMPERATURE RATING		COPPER WIRE ONLY M (TERMINAL TORQUE) (+5% -10%)	
			N•M	LB.INCH
	75 °C	M10	18	159

Torque and Cable Capacity Instructions



Solar Products

LS60400 1000 V DC SERIES DISCONNECT SWITCH

1000 V dc • 400 A • 1 Pole
1000 V dc • 400 A • 2 Pole (500 V dc per pole)

REACH ENE CE IEC UL RoHS



2 Pole (Type 2E)
Dc Ungrounded

1 Pole (Type 1M)
Dc Grounded with Handle Attached



Description

The Littelfuse LS6 dc series is an energy-efficient, compact disconnect switch that quickly breaks or resumes the flow of current safely to prevent shock hazards when trying to isolate circuits or repair systems.

Features/Benefits

- Streamline design eliminates the need for external bridging links (jumpers) to lower heat dissipation for increased energy efficiency, decreased installation and maintenance time, and reduced footprint for added design flexibility
- High-level disconnection insulation provides a barrier to stop conduction when switch is in off position for added safety
- The self-cleaning blade contacts eliminate performance degradation (from increased electrical resistance over time) to ensure consistent behavior across the product's lifespan
- The internally-located "sandwich-type" 2-contact symmetrical design mitigates the electromagnetic force of repulsion to offer enhanced functionality in short-circuit conditions
- Meets UL 94 flammability requirements with self-extinguishing/non-flammable materials to prevent fires

Applications

- Solar/PV systems: combiner boxes, recombiner boxes and inverters
- Energy storage systems: disconnection of batteries, containerized batteries
- Oil & gas: dc drives
- Railway: earthing switches and battery disconnection
- UPS: switching and isolation of batteries

Specifications

UL 98B Standards

Total Voltage Rating	1000 V dc
Amperage Rating	400 A
SCCR Rating	10 kA
Ambient Temperature	-20 to 50 °C (-4 to 122 °F)

IEC 60947-3 Standards

Insulation Voltage Rating Ui	1500 V dc
Impulse Withstand Voltage	

Rating Uimp	12 kV
Operational Current DC21B Rating	400 A/1000 V dc

Other Characteristics

Power Losses at 400 A	2 Pole (2E): 18.4 watts/pole 1 Pole (1M): 36.11 watts total
------------------------------	--

Minimum Connection

Wire Range / AWG	300 kcmil/MCM (152 mm ²)
-------------------------	--------------------------------------

Maximum Connection

Wire Range / AWG	350 kcmil/MCM (177 mm ²)
-------------------------	--------------------------------------

Number of Circuits/Switches

	1
--	---

Mechanical Operations

	8,000
--	-------

Tightening Torque

	212 lbf-in (24 N·m)
--	---------------------

Material

	Plastic housing
	Silver-plated copper terminals
Base Mounting	Screws
Flammability Rating	UL 94 V-0
Approvals	UL 98B & UL 94 UL Guide WHVA UL Listed E511898 NEC Article 690 for PV systems IEC-60947-3 CE EAC

Environmental

	RoHS compliant
--	----------------

	REACH
--	-------

	Spain
--	-------

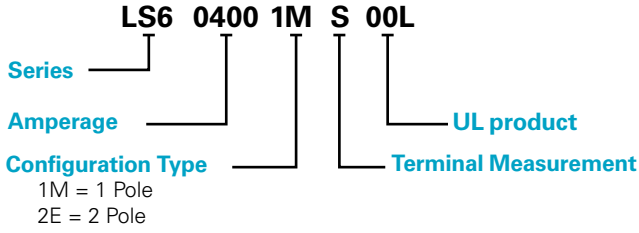
Recommended Accessories

- Panel handle with shaft LDSLA21** for closed panel door access
- Direct handle LDSLI21** for open panel door access
- Auxiliary contacts LD5LAU01** remotely indicate switch position
- Phase barriers LDRSF21 (Type 1M) and LDRSF23 (Type 2E)** isolate sections to eliminate arcing between the phases
- Terminal lug LDRTL22W** safely connects electrical and mechanical devices (phase barriers must be used in order to maintain the required clearance)
- Terminal shrouds LDRCU23W** offer protection against direct contact after wiring
- Spacers LDREL21W** increase distance between switch and mounting plate

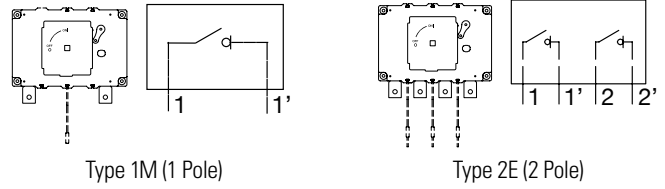
Solar Products

LS60400 1000 V DC SERIES DISCONNECT SWITCH

Part Numbering System



Configuration

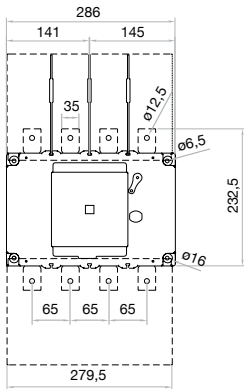


Ordering Information

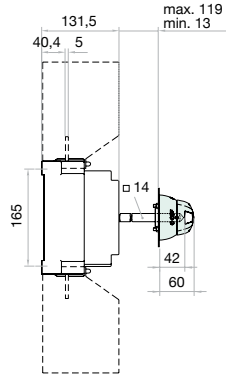
DC DISCONNECT SWITCH						
SERIES	TOTAL VOLTAGE	AMPERAGE	INSTALLATION	CONFIGURATION	POLES	SINGLE UNIT WEIGHT
LS604001MS00L	1000 V dc	400 A	Grounded	Type 1M	1	2 kg
LS604002ES00L	1000 V dc	400 A	Ungrounded	Type 2E	2	3 kg

Dimensions Millimeters

Dc Disconnect Switch

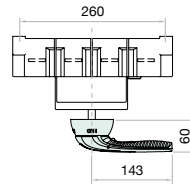


Switch + Direct Handle - Side View



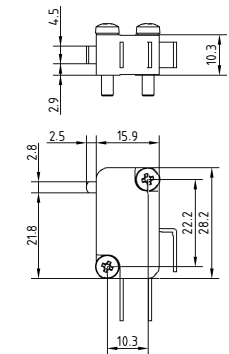
Panel Handle with Shaft

LDSL21

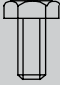


Auxiliary Contact

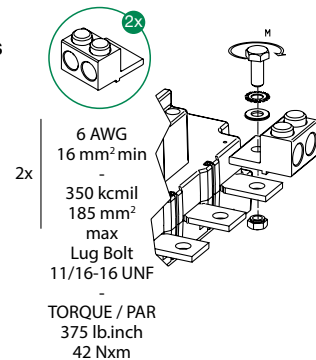
LD5AU01



Terminal Lug Measurements

LDRTL22W				
3/0 85 MM ² MIN. --- 400 KCMIL 240 MM ² MAX.	CONDUCTOR TEMPERATURE RATING		COPPER WIRE ONLY M (TERMINAL TORQUE) (+5% -10%)	
			N•M	LB. INCH
	75 °C	M10	24	212

Torque and Cable Capacity Instructions



Solar Products

LS60250 500 V DC SERIES DISCONNECT SWITCH

500 V Dc • 250 A

REACH ENEC CE IEC UL RoHS



Type 2L
Dc Ungrounded



Type 1V
Dc Grounded with Handle Attached



Description

The Littelfuse LS6 dc series is an energy-efficient, compact disconnect switch that quickly breaks or resumes the flow of current safely to prevent shock hazards when trying to isolate circuits or repair systems.

Features/Benefits

- Streamline design eliminates the need for external bridging links (jumpers) to lower heat dissipation for increased energy efficiency, decreased installation and maintenance time, and reduced footprint for added design flexibility
- High-level disconnection insulation provides a barrier to stop conduction when switch is in off position for added safety
- The self-cleaning blade contacts eliminate performance degradation (from increased electrical resistance over time) to ensure consistent behavior across the product's lifespan
- The internally-located "sandwich-type" 2-contact symmetrical design mitigates the electromagnetic force of repulsion to offer enhanced functionality in short-circuit conditions
- Meets UL 94 flammability requirements with self-extinguishing/non-flammable materials to prevent fires

Applications

- Solar/PV systems: combiner boxes, recombiner boxes and inverters
- Energy storage systems: disconnection of batteries, containerized batteries
- Oil & gas: dc drives
- Railway: earthing switches and battery disconnection
- UPS: switching and isolation of batteries
- Electrical vehicle chargers

Specifications

UL 98B Standards

Total Voltage Rating	500 V dc
Amperage Rating	250 A
SCCR Rating	10 kA
Ambient Temperature	-20 to 50 °C (-4 to 122 °F)

IEC 60947-3 Standards

Insulation Voltage Rating Ui	1500 V dc
-------------------------------------	-----------

Impulse Withstand Voltage

Rating Uimp	12 kV
--------------------	-------

Operational Current

DC21B Rating	250 A/500 V dc
---------------------	----------------

Other Characteristics

Power Losses at 250 A	10.08 watts
------------------------------	-------------

Minimum Connection

Wire Range/AWG	400 kcmil/MCM (203 mm ²)
-----------------------	--------------------------------------

Maximum Connection

Wire Range/AWG	500 kcmil/MCM (253 mm ²)
-----------------------	--------------------------------------

Number of Circuits/Switches

	1
--	---

Mechanical Operations

Tightening Torque	159 lbf-in (18 N•m)
--------------------------	---------------------

Material

	Plastic housing
--	-----------------

	Silver-plated copper terminals
--	--------------------------------

	Screws
--	--------

Flammability Rating	UL 94 V-0
----------------------------	-----------

Approvals	UL 98B & UL 94
------------------	----------------

	UL Guide WHVA
--	---------------

	UL Listed E511898
--	-------------------

	NEC Article 690 for PV systems
--	--------------------------------

	IEC-60947-3
--	-------------

	CE
--	----

	EAC
--	-----

Environmental	RoHS compliant
----------------------	----------------

	REACH
--	-------

Country of Origin	Spain
--------------------------	-------

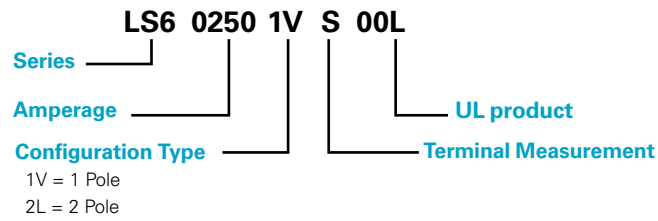
Recommended Accessories

- Panel handle with shaft LDSSA11** for closed panel door access
- Direct handle LDSSI11** for open panel door access
- Auxiliary contacts LD5LAU01** remotely indicate switch position
- Phase barriers LDRSF11 (Type 1V) and LDRSF12 (Type 2L)** isolate sections to eliminate arcing between the phases
- Terminal lug LDRTL11W** safely connects electrical and mechanical devices (phase barriers must be used in order to maintain the required clearance)
- Terminal shrouds LDRCU11W** offer protection against direct contact after wiring
- Spacers LDREL11W** increase distance between switch and mounting plate

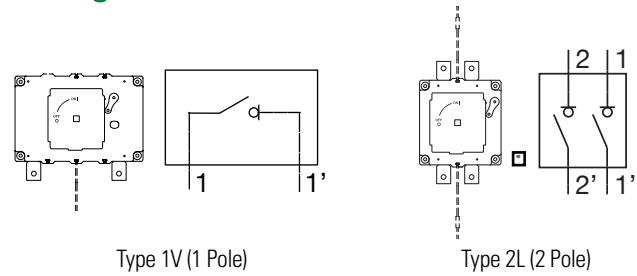
Solar Products

LS60250 500 V DC SERIES DISCONNECT SWITCH

Part Numbering System



Configuration

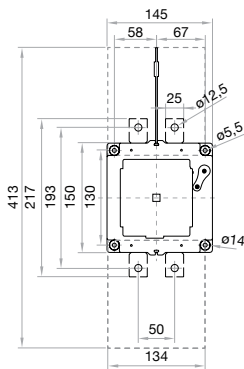


Ordering Information

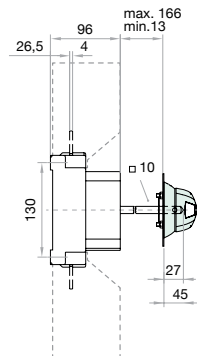
DC DISCONNECT SWITCH						
SERIES	TOTAL VOLTAGE	AMPERAGE	INSTALLATION	CONFIGURATION	POLES	SINGLE UNIT WEIGHT
LS602501VS00L	500 V dc	250 A	Grounded	Type 1V	1	2 kg
LS602502LS00L	500 V dc	250 A	Ungrounded	Type 2L	2	3 kg

Dimensions Millimeters

Dc Disconnect Switch

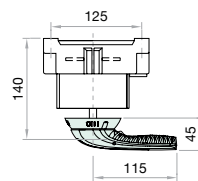


Switch + Direct Handle - Side View



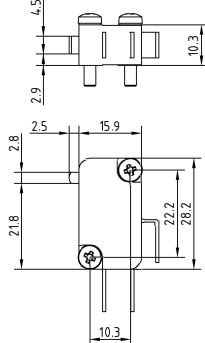
Panel Handle with Shaft

LDSSA11

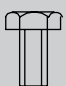


Auxiliary Contact

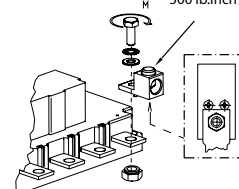
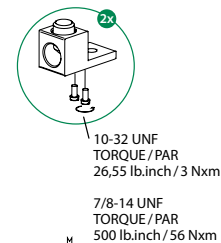
LD5AU01



Terminal Lug Measurements

LDRTL11W				
3/0 85 MM ² MIN --- 400 KCMIL 240 MM ² MAX	CONDUCTOR TEMPERATURE RATING		COPPER WIRE ONLY M (TERMINAL TORQUE) (+5% -10%)	
			N·M	LB. INCH
	75 °C	M10	18	159

Torque and Cable Capacity Instructions



Solar Products

LS60400 500 V DC SERIES DISCONNECT SWITCH

500 V dc • 400 A • 1 Pole
500 V dc • 400 A • 2 Pole (250 V dc per pole)



2 Pole (Type 2L)
Dc Ungrounded



1 Pole (Type 1V)
Dc Grounded with Handle Attached



Description

The Littelfuse LS6 dc series is an energy-efficient, compact disconnect switch that quickly breaks or resumes the flow of current safely to prevent shock hazards when trying to isolate circuits or repair systems.

Features/Benefits

- Streamline design eliminates the need for external bridging links (jumpers) to lower heat dissipation for increased energy efficiency, decreased installation and maintenance time, and reduced footprint for added design flexibility
- High-level disconnection insulation provides a barrier to stop conduction when switch is in off position for added safety
- The self-cleaning blade contacts eliminate performance degradation (from increased electrical resistance over time) to ensure consistent behavior across the product's lifespan
- The internally-located "sandwich-type" 2-contact symmetrical design mitigates the electromagnetic force of repulsion to offer enhanced functionality in short-circuit conditions
- Meets UL 94 flammability requirements with self-extinguishing/non-flammable materials to prevent fires

Applications

- Solar/PV systems: combiner boxes, recombiner boxes and inverters
- Energy storage systems: disconnection of batteries, containerized batteries
- Oil & gas: dc drives
- Railway: earthing switches and battery disconnection
- UPS: switching and isolation of batteries

Web Resources

For more information, visit:

littelfuse.com/DcDisconnectSwitch

REACH ENEC CE IEC UL RoHS

Specifications

UL 98B Standards

Total Voltage Rating	500 V dc
Amperage Rating	400 A
SCCR Rating	10 kA
Ambient Temperature	-20 to 50 °C (-4 to 122 °F)

IEC 60947-3 Standards

Insulation Voltage Rating U_i	1500 V dc
Impulse Withstand Voltage Rating U_{imp}	12 kV
Operational Current DC21B Rating	400 A / 500 V dc

Other Characteristics

Power Losses at 400 A	2 Pole (2L): 9.2 watts/pole 1 Pole (1V): 18.4 watts total
-----------------------	--

Minimum Connection

Wire Range / AWG	300 kcmil/MCM (152 mm ²)
------------------	--------------------------------------

Maximum Connection

Wire Range / AWG	350 kcmil/MCM (177 mm ²)
------------------	--------------------------------------

Number of Circuits/Switches

	1
--	---

Mechanical Operations

	8,000
--	-------

Tightening Torque

	212 lbf-in (24 N·m)
--	---------------------

Material

	Plastic housing
--	-----------------

	Silver-plated copper terminals
--	--------------------------------

	Screws
--	--------

	UL 94 V-0
--	-----------

	UL 98B & UL 94
--	----------------

	UL Guide WHVA
--	---------------

	UL Listed E511898
--	-------------------

	UL Listed E511898
--	-------------------

	UL Listed E511898
--	-------------------

	UL Listed E511898
--	-------------------

	UL Listed E511898
--	-------------------

	UL Listed E511898
--	-------------------

	UL Listed E511898
--	-------------------

	UL Listed E511898
--	-------------------

	UL Listed E511898
--	-------------------

	UL Listed E511898
--	-------------------

	UL Listed E511898
--	-------------------

	UL Listed E511898
--	-------------------

	UL Listed E511898
--	-------------------

	UL Listed E511898
--	-------------------

	UL Listed E511898
--	-------------------

	UL Listed E511898
--	-------------------

	UL Listed E511898
--	-------------------

	UL Listed E511898
--	-------------------

	UL Listed E511898
--	-------------------

	UL Listed E511898
--	-------------------

	UL Listed E511898
--	-------------------

	UL Listed E511898
--	-------------------

	UL Listed E511898
--	-------------------

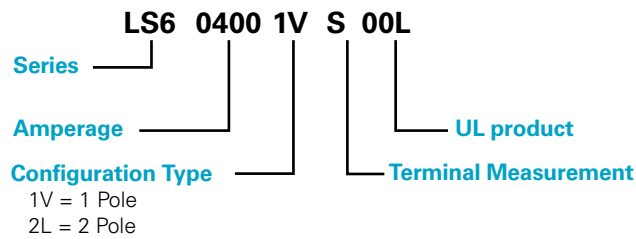
	UL Listed E511898
--	-------------------

	UL Listed E511898
--	-------------------

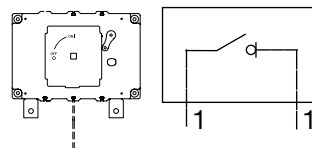
Solar Products

LS60400 500 V DC SERIES DISCONNECT SWITCH

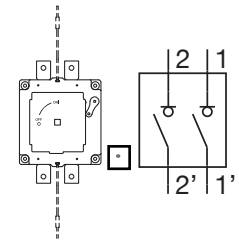
Part Numbering System



Configuration



Type 1V (1 Pole)



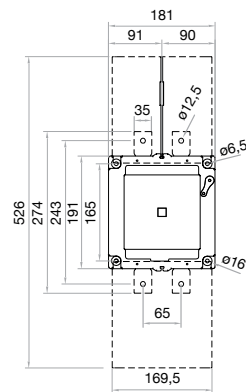
Type 2L (2 Pole)

Ordering Information

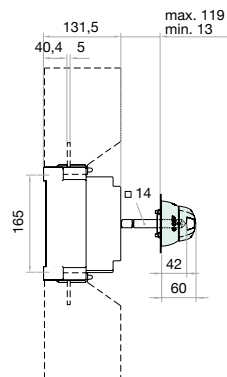
DC DISCONNECT SWITCH						
SERIES	TOTAL VOLTAGE	AMPERAGE	INSTALLATION	CONFIGURATION	POLES	SINGLE UNIT WEIGHT
LS604001VS00L	500 V dc	400 A	Grounded	Type 1V	1	2 kg
LS604002LS00L	500 V dc	400 A	Ungrounded	Type 2L	2	3 kg

Dimensions Millimeters

Dc Disconnect Switch

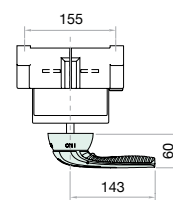


Switch + Direct Handle - Side View



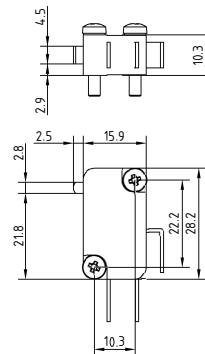
Panel Handle with Shaft

LDSL A21

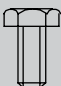


Auxiliary Contact

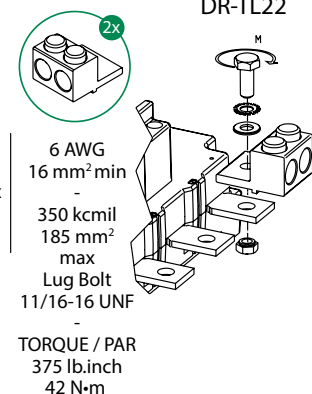
LD5AU01



Terminal Lug Measurements

LDRTL22W				
16 MM ² MIN --- 350 KCMIL 185 MM ² MAX	CONDUCTOR TEMPERATURE RATING		COPPER WIRE ONLY M (TERMINAL TORQUE) (+5% -10%)	
			N-M	LB.INCH
	75 °C	M10	24	212

Torque and Cable Capacity Instructions



Solar Products

LM3030 SERIES CLASS J FUSE DISCONNECT SWITCH

30 A

REACH **RoHS** CE cULus



*Handle and fuses sold separately

Description

The Class J Fuse Disconnect Switch combines a switch and multiple fuses in a single, compact device. This switch, with both front or side operation, offers a simpler way to manually open and close a circuit while safeguarding against overcurrent and short circuits. When it detects an overload or short circuit, the fuse blows automatically to open or break the circuit both upstream and downstream and shuts off the equipment.

When installing or maintaining equipment, the Class J Fuse Disconnect Switch makes it easier to connect or disconnect the power in an isolated area. With a higher interrupting rating, it delivers more robust protection, increases personnel safety and offers a longer switch life.

Features & Benefits

FEATURES	BENEFITS
Fuse isolation	Makes it easy to segregate a particular fuse on the circuit for safe repair or maintenance
Double break contact system	Breaks circuit upstream and downstream enabling the switch to handle higher voltages and provide a longer switch life
Small footprint	Saves space and provides design flexibility
Optional handles (direct handle with push-to-detach system or external handle with shaft) with front or side operations	Offer adaptability to system design. In addition, no tools are required for the frontal direct handle providing easy and quick installation
Safe-to-touch transparent fuse covers	Cannot be opened in the "ON" position for extra protection and provides visibility to fuses—without opening module—for added convenience
Lockout-tagout	When the device is in the "OFF" position, a padlock can be added to ensure equipment is properly shut off during maintenance or repair to prevent the release of hazardous energy
Horizontal (standard), vertical and 45-degree mounting orientations	Offer switch installation options to adapt to system design
Test position on handle	Permits control circuit auxiliary testing without switching the main contacts on for added safety

Applications

- Industrial: service switchboards, distribution panels, control panels/motor control centers, compressors, drives, voltage stabilizers, UPS systems
- HVAC/R: air handling units, rooftop systems, compressors, chillers, refrigeration racks
- Mining: conveyor systems, main substations
- Solar: auxiliary services transformers
- Battery Energy Storage Systems: auxiliary services transformers

Solar Products

LM3030 SERIES CLASS J FUSE DISCONNECT SWITCH

Specifications

UL 98 Standards

Voltage Rating	600 V Ac
Amperage Rating	30 A
SCCR Rating	200 kA
Ambient Temperature	-20 °C to 50 °C (-4 °F to 122 °F)
Insulation Voltage Rating U_i	1000 V Ac
Impulse Withstand Voltage Rating U_{imp}	8 kV

Other Characteristics

Three Phase Maximum HP Rating/Motor FLA Current	240 V ac: 7.5 HP/22 A 480 V ac: 15 HP/21 A 600 V ac: 20 HP/22 A
Fuse	Class J*
Fuse Size	21 x 57 mm (0.82 x 2.24")
Connection	Cage
Tightening Torque	17.7 lb-in
Flange Wire Range	AWG #14-2
Base Mounting	Screws
Materials	Plastic housing, silver-plated copper terminals
Flammability Rating	UL 94 V-0
Applicable Standards	UL98 & UL 94 UL Guide WHTY UL Guide WHTY7 UL Listed E513470 CSA C22.2 NO 4 CE
Environmental	RoHS Compliant REACH
Country of Origin	Spain

*Fuses sold separately.

Certification & Compliance

cULus	UL 98, Fourteenth Edition, E513470
CE	Declaration of Conformity (Main Device): EU_DOC-LM3_230731_0 (Accessories): EU_DOC-LM3_Accessories_230731_0
RoHS	RoHS 2 Directive 2011/65/EU; Directive (EU) 2015/863
REACH	REACH declaration: Regulation (EC) No 1907/2006

Solar Products

LM3030 SERIES CLASS J FUSE DISCONNECT SWITCHES

Accessories

Frontal Direct Handle LDM3SIB1

For open panel door access. Offers front operation. Features an easy push-to-detach system that requires no tools to attach or disassemble the handle.

Frontal External Handle with Shaft ON-OFF-TEST LDM3SAB1

For closed panel door access. Includes the 'TEST' position to enable testing of the control circuit auxiliaries without switching the main contacts on to simplify maintenance and increase safety. Offers front operation only.

Lateral External Handle with Shaft ON-OFF-TEST LDM3SBB1

For closed panel door access. Includes the 'TEST' position to enable testing of the control circuit auxiliaries without switching the main contacts on to simplify maintenance and increase safety. Offers side operation only.

Auxiliary Contact LDM3AUB1

Provides a signal to indicate the position of the switch.

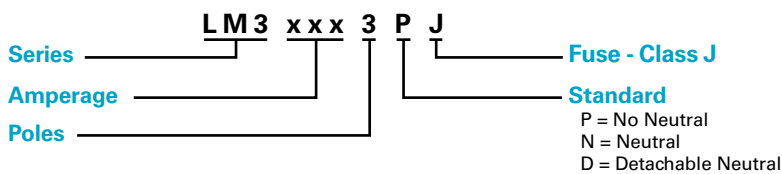
Key Lock Device LDSCAB1 (single)

Locks the operation of the switch with a key to prevent accidents and increase safety.

Key Lock Device LDSCEB1 (double)

Locks the operation of the switch with a key to prevent accidents and increase safety.

Part Numbering System



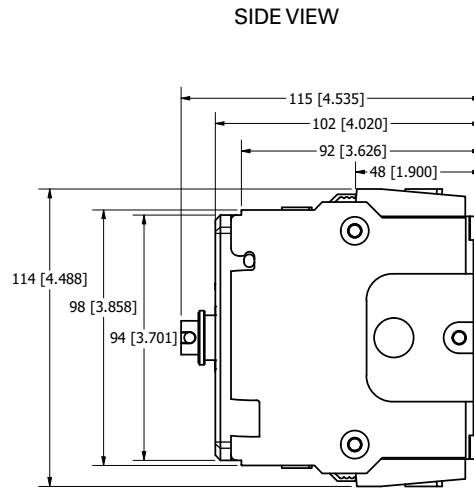
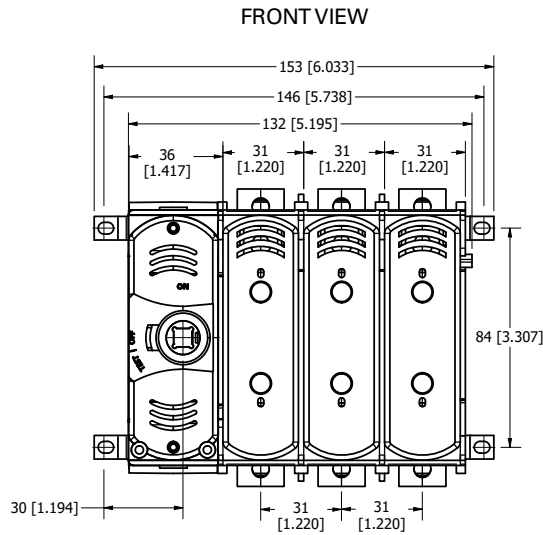
Ordering Information

PART NUMBER	AMPERAGE	VOLTAGE	NUMBER OF POLES	STANDARD	FUSE CLASS J*	FUSE SIZE
LM30303PJ	30 A	600	3	No Neutral	JTD/JLS	21 x 57 mm
LM30303NJ	30 A	600	3	Neutral	JTD/JLS	21 x 57 mm
LM30303DJ	30 A	600	3	Detachable Neutral	JTD/JLS	21 x 57 mm

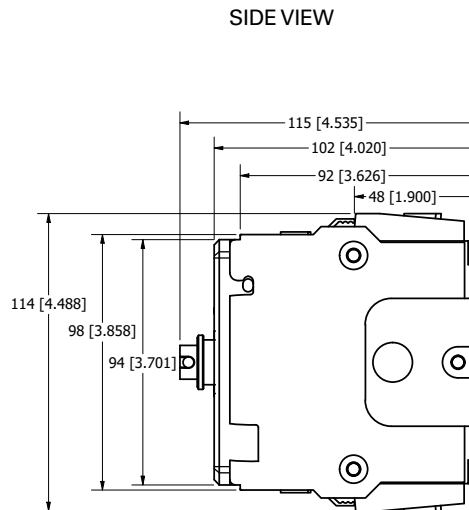
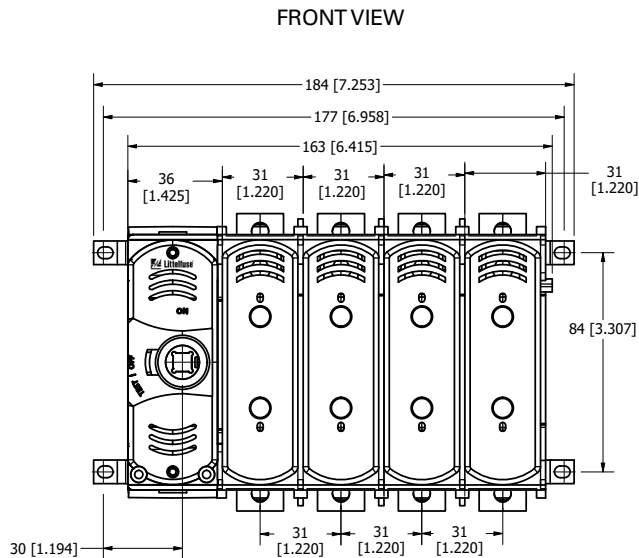
*Fuses sold separately

Dimensions Millimeters (inches)

LM30303PJ – No Neutral



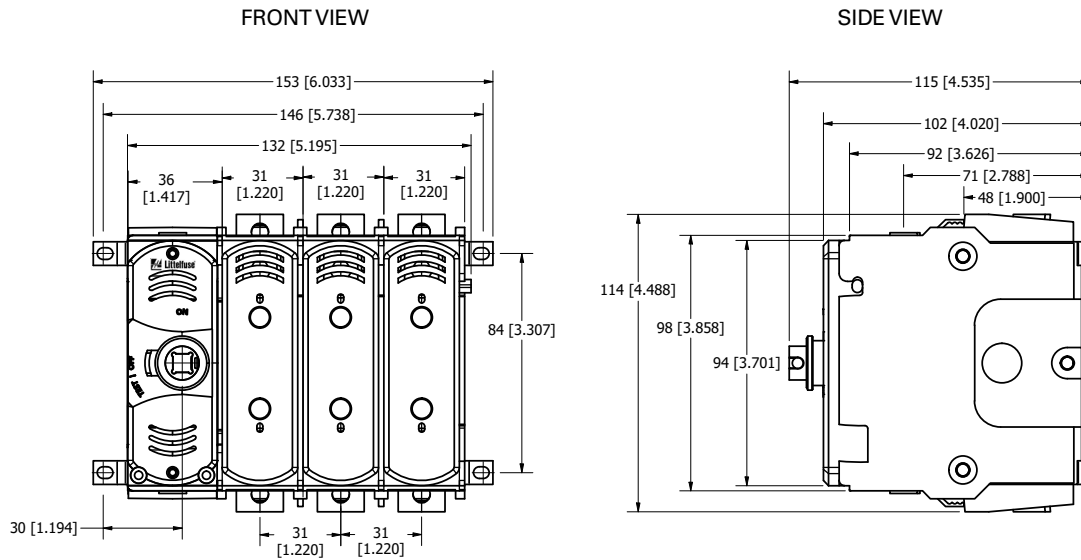
LM30303NJ – Neutral



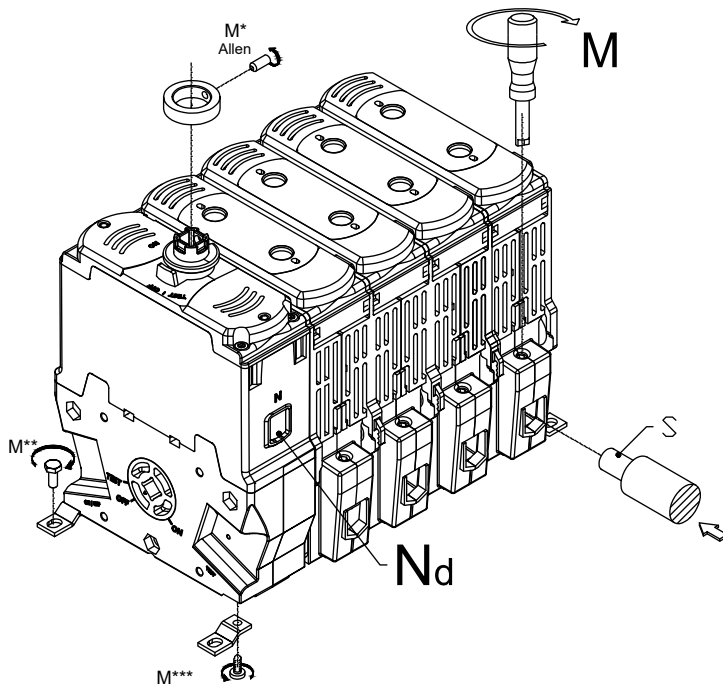
Solar Products


LM3030 SERIES CLASS J FUSE DISCONNECT SWITCH

LM30303DJ – Detachable Neutral



Switch – 3D Installation View



M		M (+5% -10%)	
		N•M	LBF•INCH
*	M4	1	8.85
**	M4	1.5	13.3
***	CH 3.5	0.8	7.1

THERMAL CURRENT RATING (I _{th})	COPPER (CU) WIRE - S MAX			
	mm ²	AWG	M (+5% -10%)	
			N•M	LBF•INCH
30 A	1x 6	1x 10	2	17.7

Solar Products

LM3060 SERIES CLASS J FUSE DISCONNECT SWITCH

60 A

REACH **RoHS** CE cUL^{us}



*Handle and fuses sold separately

Description

The Class J Fuse Disconnect Switch combines a switch and multiple fuses in a single, compact device. This switch, with both front or side operation, offers a simpler way to manually open and close a circuit while safeguarding against overcurrent and short circuits. When it detects an overload or short circuit, the fuse blows automatically to open or break the circuit both upstream and downstream and shuts off the equipment.

When installing or maintaining equipment, the Class J Fuse Disconnect Switch makes it easier to connect or disconnect the power in an isolated area. With a higher interrupting rating, it delivers more robust protection, increases personnel safety and offers a longer switch life.

Features & Benefits

FEATURES	BENEFITS
Fuse isolation	Makes it easy to segregate a particular fuse on the circuit for safe repair or maintenance
Double break contact system	Breaks circuit upstream and downstream enabling the switch to handle higher voltages and provide a longer switch life
Small footprint	Saves space and provides design flexibility
Optional handles (direct handle with push-to-detach system or external handle with shaft) with front or side operations	Offer adaptability to system design. In addition, no tools are required for the frontal direct handle providing easy and quick installation
Safe-to-touch transparent fuse covers	Cannot be opened in the "ON" position for extra protection and provides visibility to fuses—without opening module—for added convenience
Lockout-tagout	When the device is in the "OFF" position, a padlock can be added to ensure equipment is properly shut off during maintenance or repair to prevent the release of hazardous energy
Horizontal (standard), vertical and 45-degree mounting orientations	Offer switch installation options to adapt to system design
Test position on handle	Permits control circuit auxiliary testing without switching the main contacts on for added safety

Applications

- Industrial: service switchboards, distribution panels, control panels/motor control centers, compressors, drives, voltage stabilizers, UPS systems
- HVAC/R: air handling units, rooftop systems, compressors, chillers, refrigeration racks
- Mining: conveyor systems, main substations
- Solar: auxiliary services transformers
- Battery Energy Storage Systems: auxiliary services transformers

Solar Products

LM3060 SERIES CLASS J FUSE DISCONNECT SWITCH

Specifications

UL 98 Standards

Voltage Rating	600 V Ac
Amperage Rating	60 A
SCCR Rating	200 kA
Ambient Temperature	-20 °C to 50 °C (-4 °F to 122 °F)
Insulation Voltage Rating U_i	1000 V Ac
Impulse Withstand Voltage Rating U_{imp}	8 kV

Other Characteristics

Three Phase Maximum HP Rating/Motor FLA Current	240 V ac: 15 HP/42 A 480 V ac: 30 HP/40 A 600 V ac: 50 HP/52 A
Fuse	Class J*
Fuse Size	27 x 60 mm (1.06 x 2.36")
Connection	Terminal
Maximum Width Terminal Busbar Connection Range	20 mm
Tightening Torque	53 lb-in
Flange Wire Range	AWG #6-2/0 (terminal lug required)
Base Mounting	Screws
Materials	Plastic housing, silver-plated copper terminals
Flammability Rating	UL 94 V-0
Applicable Standards	UL98 & UL 94 UL Guide WHTY UL Guide WHTY7 UL Listed E513470 CSA C22.2 NO 4 CE
Environmental	RoHS Compliant REACH
Country of Origin	Spain

*Fuses sold separately.

Certification & Compliance

cULus	UL 98, Fourteenth Edition, E513470
CE	Declaration of Conformity (Main Device): EU_DOC-LM3_230731_0 (Accessories): EU_DOC-LM3_Accessories_230731_0
RoHS	RoHS 2 Directive 2011/65/EU; Directive (EU) 2015/863
REACH	REACH declaration: Regulation (EC) No 1907/2006

Solar Products

LM3060 SERIES CLASS J FUSE DISCONNECT SWITCH

Accessories

Frontal Direct Handle LDM3SIB1

For open panel door access. Offers front operation. Features an easy push-to-detach system that requires no tools to attach or disassemble the handle.

Frontal External Handle with Shaft ON-OFF-TEST LDM3SAB1

For closed panel door access. Includes the 'TEST' position to enable testing of the control circuit auxiliaries without switching the main contacts on to simplify maintenance and increase safety. Offers front operation only.

Lateral External Handle with Shaft ON-OFF-TEST LDM3SBB1

For closed panel door access. Includes the 'TEST' position to enable testing of the control circuit auxiliaries without switching the main contacts on to simplify maintenance and increase safety. Offers side operation only.

Terminal Shrouds LDM3CU02

Protect against direct contact with the terminal.

Auxiliary Contact LDM3AUB1

Provides a signal to indicate the position of the switch.

Key Lock Device LDSCAB1 (single)

Locks the operation of the switch with a key to prevent accidents and increase safety.

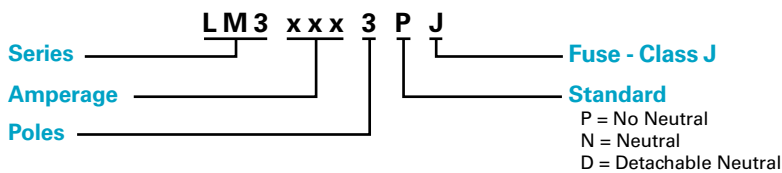
Key Lock Device LDSCEB1 (double)

Locks the operation of the switch with a key to prevent accidents and increase safety.

Terminal Lugs LDM3TLU01 (1 pair)

Fastens the cable to a cage for stability.

Part Numbering System



Ordering Information

PART NUMBER	AMPERAGE	VOLTAGE	NUMBER OF POLES	STANDARD	FUSE CLASS J*	FUSE SIZE
LM30603PJ	60 A	600	3	No Neutral	JTD/JLS	27 x 60 mm
LM30603NJ	60 A	600	3	Neutral	JTD/JLS	27 x 60 mm
LM30603DJ	60 A	600	3	Detachable Neutral	JTD/JLS	27 x 60 mm

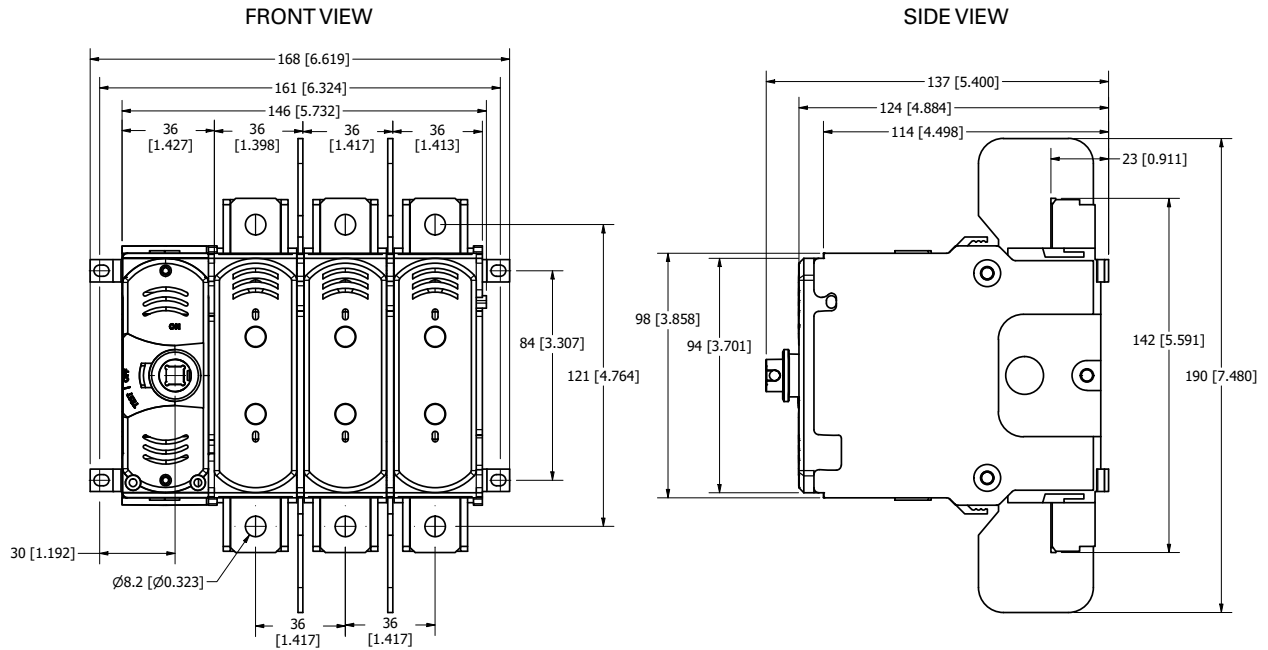
*Fuses sold separately

Solar Products

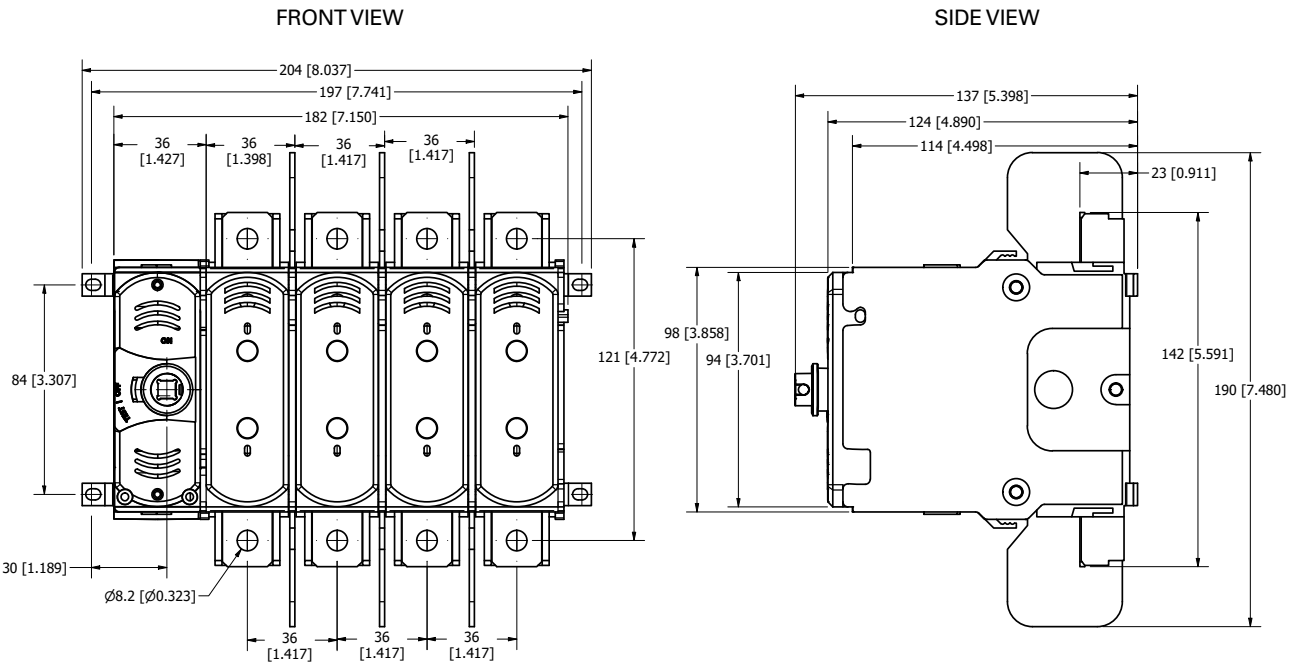
LM3060 SERIES CLASS J FUSE DISCONNECT SWITCH

Dimensions Millimeters (inches)

LM30603PJ – No Neutral



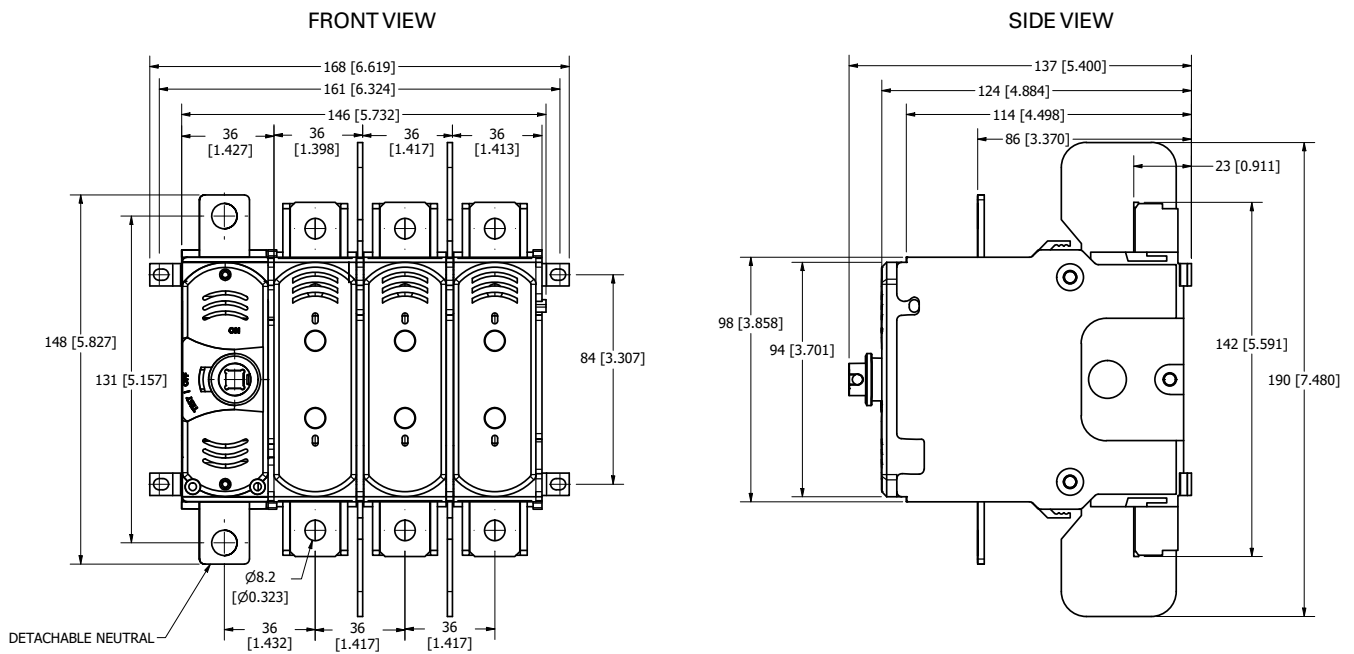
LM30603NJ – Neutral



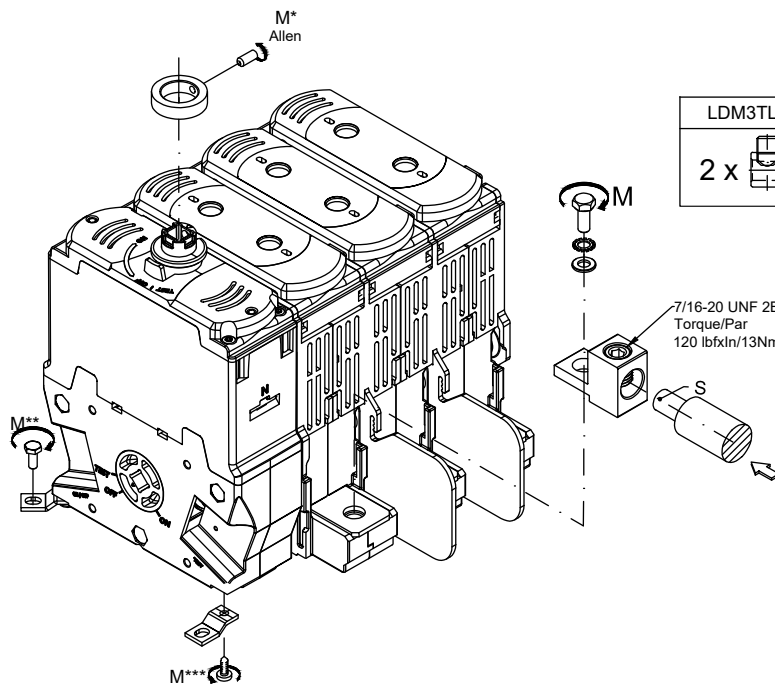
Solar Products

LM3060 SERIES CLASS J FUSE DISCONNECT SWITCH

LM30603DJ – Detachable Neutral



Switch – 3D Installation View



M	T	M (+5% -10%)		
		N•M	LBF•INCH	
*	M4	1	8.85	
**	M4	1.5	13.3	
***	CH 3.5	0.8	7.1	
****	Optional terminal lugs for attachment	UNF 2B 7/16-20	13	120

COPPER (CU) WIRE - S MAX					
THERMAL CURRENT RATING (I _{th})	mm ²	AWG	T	M (+5% -10%)	
				N•M	LBF•INCH
60 A	6-50	10-2/0	M8	6	53

8

Solar Products

LM3100 SERIES CLASS J FUSE DISCONNECT SWITCH

100 A

REACH **RoHS** **CE** **UL** US



*Handle and fuses sold separately

Description

The Class J Fuse Disconnect Switch combines a switch and multiple fuses in a single, compact device. This switch, with both front or side operation, offers a simpler way to manually open and close a circuit while safeguarding against overcurrent and short circuits. When it detects an overload or short circuit, the fuse blows automatically to open or break the circuit both upstream and downstream and shuts off the equipment.

When installing or maintaining equipment, the Class J Fuse Disconnect Switch makes it easier to connect or disconnect the power in an isolated area. With a higher interrupting rating, it delivers more robust protection, increases personnel safety and offers a longer switch life.

Features & Benefits

FEATURES	BENEFITS
Fuse isolation	Makes it easy to segregate a particular fuse on the circuit for safe repair or maintenance
Double break contact system	Breaks circuit upstream and downstream enabling the switch to handle higher voltages and provide a longer switch life
Small footprint	Saves space and provides design flexibility
Optional handles (direct handle with push-to-detach system or external handle with shaft) with front or side operations	Offer adaptability to system design. In addition, no tools are required for the frontal direct handle providing easy and quick installation
Safe-to-touch transparent fuse covers	Cannot be opened in the "ON" position for extra protection and provides visibility to fuses—without opening module—for added convenience
Lockout-tagout	When the device is in the "OFF" position, a padlock can be added to ensure equipment is properly shut off during maintenance or repair to prevent the release of hazardous energy
Horizontal (standard), vertical and 45-degree mounting orientations	Offer switch installation options to adapt to system design
Test position on handle	Permits control circuit auxiliary testing without switching the main contacts on for added safety

Applications

- Industrial: service switchboards, distribution panels, control panels/motor control centers, compressors, drives, voltage stabilizers, UPS systems
- HVAC/R: air handling units, rooftop systems, compressors, chillers, refrigeration racks
- Mining: conveyor systems, main substations
- Solar: auxiliary services transformers
- Battery Energy Storage Systems: auxiliary services transformers

Solar Products

LM3100 SERIES CLASS J FUSE DISCONNECT SWITCH

Specifications

UL 98 Standards

Voltage Rating	600 V Ac
Amperage Rating	100 A
SCCR Rating	200 kA
Ambient Temperature	-20 °C to 50 °C (-4 °F to 122 °F)
Insulation Voltage Rating U_i	1000 V Ac
Impulse Withstand Voltage Rating U_{imp}	12 kV

Other Characteristics

Three Phase Maximum HP Rating/Motor FLA Current	240 V ac: 30 HP/80 A 480 V ac: 60 HP/77 A 600 V ac: 75 HP/77 A
Fuse	Class J*
Fuse Size	29 x 117 mm (1.14 x 4.60")
Connection	Terminal
Maximum Width Terminal Busbar Connection Range	30 mm
Tightening Torque	159 lb-in
Flange Wire Range	AWG #3/0 - 300 kcmil (terminal lug required)
Base Mounting	Screws
Materials	Plastic housing, tin-plated copper terminals
Flammability Rating	UL 94 V-0
Applicable Standards	UL98 & UL 94 UL Guide WHTY UL Guide WHTY7 UL Listed E513470 CSA C22.2 NO 4 CE
Environmental	RoHS Compliant REACH
Country of Origin	Spain

*Fuses sold separately.

Certification & Compliance

cULus	UL 98, Fourteenth Edition, E513470
CE	Declaration of Conformity (Main Device): EU_DOC-LM3_230731_0 (Accessories): EU_DOC-LM3_Accessories_230731_0
RoHS	RoHS 2 Directive 2011/65/EU; Directive (EU) 2015/863
REACH	REACH declaration: Regulation (EC) No 1907/2006

Solar Products

LM3100 SERIES CLASS J FUSE DISCONNECT SWITCH

Accessories

Frontal Direct Handle LDM3SI11

For open panel door access. Offers front operation. Features an easy push-to-detach system that requires no tools to attach or disassemble the handle.

Frontal External Handle with Shaft ON-OFF-TEST LDM3SA11

For closed panel door access. Includes the 'TEST' position to enable testing of the control circuit auxiliaries without switching the main contacts on to simplify maintenance and increase safety. Offers front operation only.

Lateral External Handle with Shaft ON-OFF-TEST LDM3SB11

For closed panel door access. Includes the 'TEST' position to enable testing of the control circuit auxiliaries without switching the main contacts on to simplify maintenance and increase safety. Offers side operation only.

Terminal Shrouds LDM3CU13

Protect against direct contact with the terminal.

Auxiliary Contact LDM3AUB1

Provides a signal to indicate the position of the switch.

Phase Barriers LDM3SF12

Isolates/separates active parts to increase clearance and decrease creepage.

Key Lock Device LDSCA11 (single)

Locks the operation of the switch with a key to prevent accidents and increase safety.

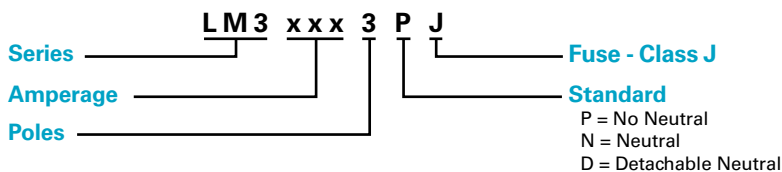
Key Lock Device LDSCE11 (double)

Locks the operation of the switch with a key to prevent accidents and increase safety.

Terminal Lugs LDM3TLU11 (1 pair)

Fastens the cable to a cage for stability.

Part Numbering System



8

Ordering Information

PART NUMBER	AMPERAGE	VOLTAGE	NUMBER OF POLES	STANDARD	FUSE CLASS J*	FUSE SIZE
LM31003PJ	100 A	600	3	No Neutral	JTD/JLS	29 x 117 mm
LM31003NJ	100 A	600	3	Neutral	JTD/JLS	29 x 117 mm
LM31003DJ	100 A	600	3	Detachable Neutral	JTD/JLS	29 x 117 mm

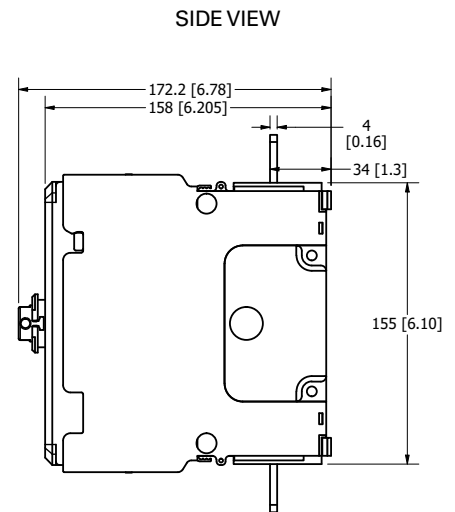
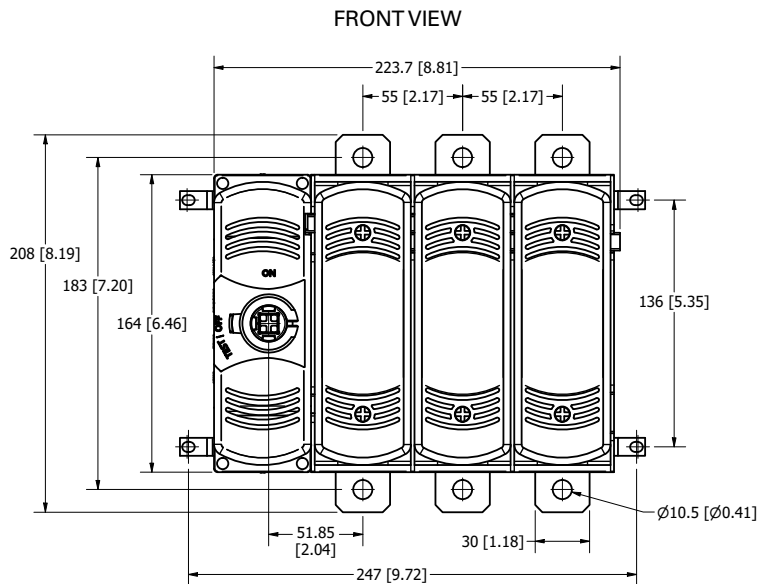
*Fuses sold separately

Solar Products

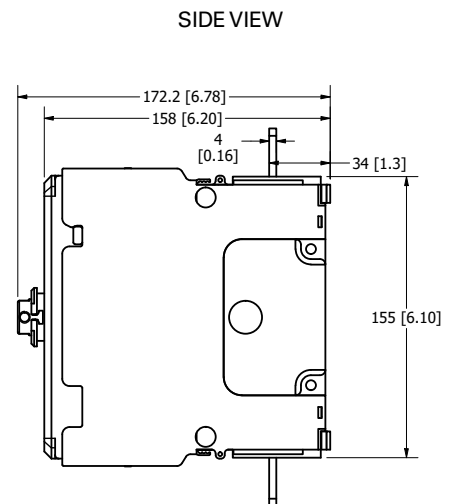
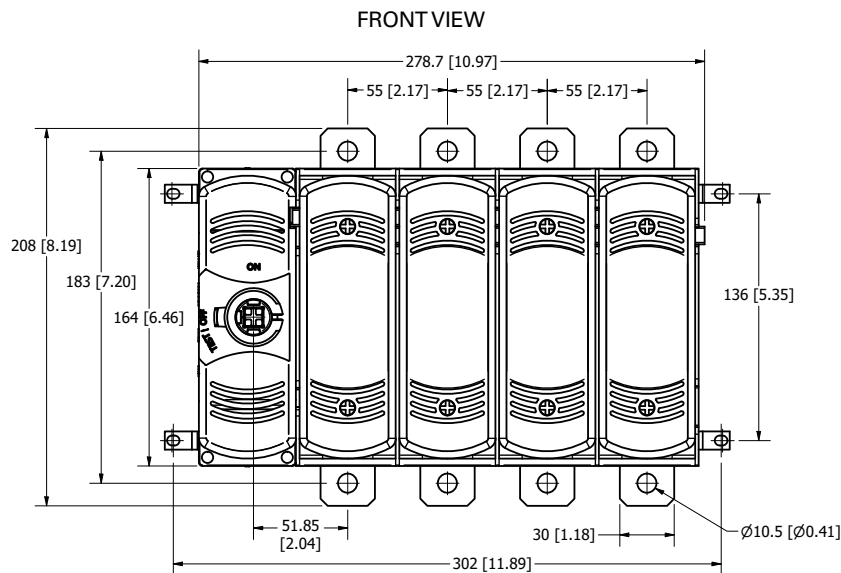
LM3100 SERIES CLASS J FUSE DISCONNECT SWITCH

Dimensions Millimeters (inches)

LM31003PJ – No Neutral



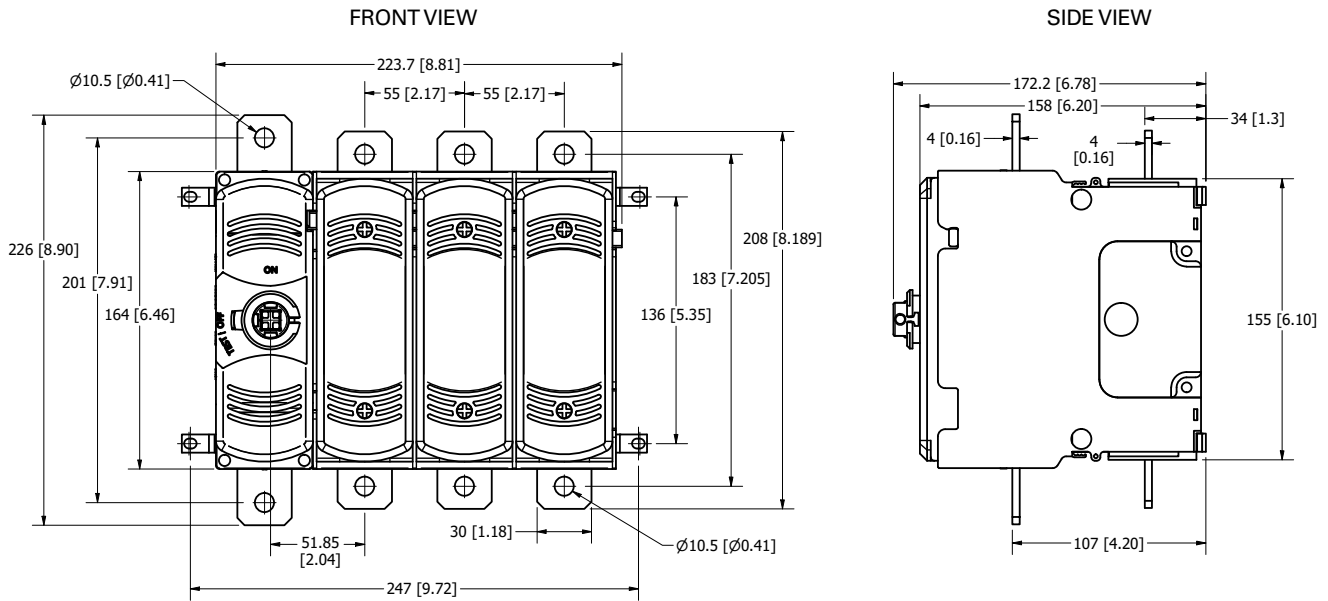
LM31003NJ – Neutral



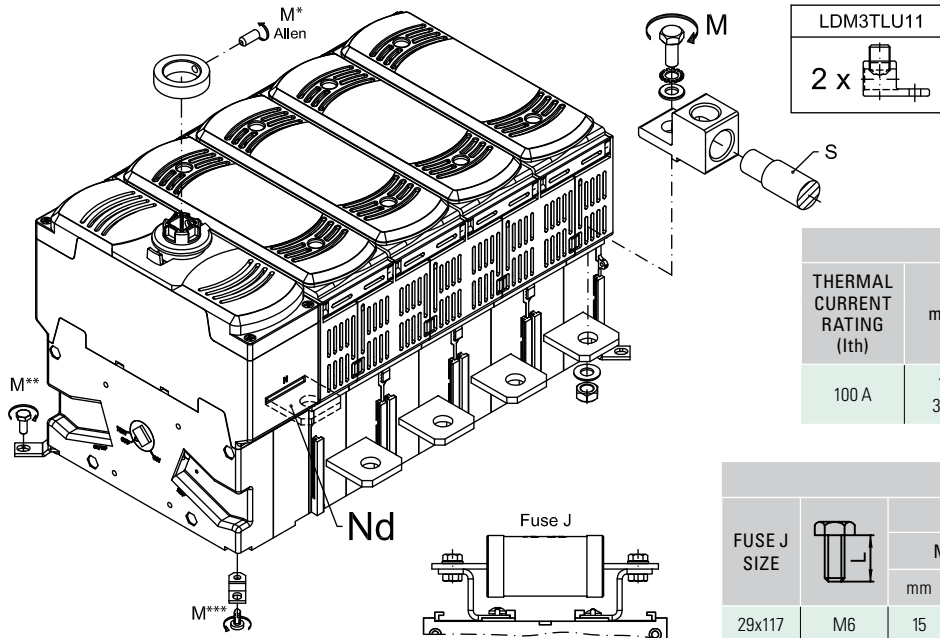
Solar Products

LM3100 SERIES CLASS J FUSE DISCONNECT SWITCH

LM31003DJ – Detachable Neutral



Switch – 3D Installation View



M	T	M (+5% -10%)	
		N•M	LBF•INCH
*	M5	1.2	10.6
**	M4	1.5	13.3
***	P4	0.8	7.1

COPPER (CU) WIRE - S MAX					
THERMAL CURRENT RATING (Ith)	mm ²	AWG	T	M (+5% -10%)	
				N•M	LBF•INCH
100 A	1x 300	1x 6	M10	18	159

FUSE J							
FUSE J SIZE	T	SCREW LENGTH				M (+5% -10%)	
		MIN		MAX		N•M	LBF•INCH
		mm	In	mm	In		
29x117	M6	15	0.59	20	0.78	5	44.2

Solar Products

LM3200 SERIES CLASS J FUSE DISCONNECT SWITCH

200 A

REACH **RoHS** **CE** **UL** US



*Handle and fuses sold separately

Description

The Class J Fuse Disconnect Switch combines a switch and multiple fuses in a single, compact device. This switch, with both front or side operation, offers a simpler way to manually open and close a circuit while safeguarding against overcurrent and short circuits. When it detects an overload or short circuit, the fuse blows automatically to open or break the circuit both upstream and downstream and shuts off the equipment.

When installing or maintaining equipment, the Class J Fuse Disconnect Switch makes it easier to connect or disconnect the power in an isolated area. With a higher interrupting rating, it delivers more robust protection, increases personnel safety and offers a longer switch life.

Features & Benefits

FEATURES	BENEFITS
Fuse isolation	Makes it easy to segregate a particular fuse on the circuit for safe repair or maintenance
Double break contact system	Breaks circuit upstream and downstream enabling the switch to handle higher voltages and provide a longer switch life
Small footprint	Saves space and provides design flexibility
Optional handles (direct handle with push-to-detach system or external handle with shaft) with front or side operations	Offer adaptability to system design. In addition, no tools are required for the frontal direct handle providing easy and quick installation
Safe-to-touch transparent fuse covers	Cannot be opened in the "ON" position for extra protection and provides visibility to fuses—without opening module—for added convenience
Lockout-tagout	When the device is in the "OFF" position, a padlock can be added to ensure equipment is properly shut off during maintenance or repair to prevent the release of hazardous energy
Horizontal (standard), vertical and 45-degree mounting orientations	Offer switch installation options to adapt to system design
Test position on handle	Permits control circuit auxiliary testing without switching the main contacts on for added safety

Applications

- Industrial: service switchboards, distribution panels, control panels/motor control centers, compressors, drives, voltage stabilizers, UPS systems
- HVAC/R: air handling units, rooftop systems, compressors, chillers, refrigeration racks
- Mining: conveyor systems, main substations
- Solar: auxiliary services transformers
- Battery Energy Storage Systems: auxiliary services transformers

Solar Products

LM3200 SERIES CLASS J FUSE DISCONNECT SWITCH

Specifications

UL 98 Standards

Voltage Rating	600 V Ac
Amperage Rating	200 A
SCCR Rating	200 kA
Ambient Temperature	-20 °C to 50 °C (-4 °F to 122 °F)
Insulation Voltage Rating U_i	1000 V Ac
Impulse Withstand Voltage Rating U_{imp}	12 kV

Other Characteristics

Three Phase Maximum HP Rating/Motor FLA Current	240 V ac: 50 HP/130 A 480 V ac: 100 HP/124 A 600 V ac: 125 HP/125 A
Fuse	Class J*
Fuse Size	41 x 146 mm (1.61 x 5.75")
Connection	Terminal
Maximum Width Terminal Busbar Connection Range	30 mm
Tightening Torque	159 lb-in
Flange Wire Range	AWG #3/0 - 300 kcmil (terminal lug required)
Base Mounting	Screws
Materials	Plastic housing, tin-plated copper terminals
Flammability Rating	UL 94 V-0
Applicable Standards	UL98 & UL 94 UL Guide WHTY UL Guide WHTY7 UL Listed E513470 CSA C22.2 NO 4 CE
Environmental	RoHS Compliant REACH
Country of Origin	Spain

*Fuses sold separately.

8

Certification & Compliance

cULus	UL 98, Fourteenth Edition, E513470
CE	Declaration of Conformity (Main Device): EU_DOC-LM3_230731_0 (Accessories): EU_DOC-LM3_Accessories_230731_0
RoHS	RoHS 2 Directive 2011/65/EU; Directive (EU) 2015/863
REACH	REACH declaration: Regulation (EC) No 1907/2006

Solar Products

LM3200 SERIES CLASS J FUSE DISCONNECT SWITCH

Accessories

Direct Handle LDM3SI11

For open panel door access. Offers front operation. Features an easy push-to-detach system that requires no tools to attach or disassemble the handle.

Frontal External Handle with Shaft ON-OFF-TEST LDM3SA11

For closed panel door access. Includes the 'TEST' position to enable testing of the control circuit auxiliaries without switching the main contacts on to simplify maintenance and increase safety. Offers front operation only.

Lateral External Handle with Shaft ON-OFF-TEST LDM3SB11

For closed panel door access. Includes the 'TEST' position to enable testing of the control circuit auxiliaries without switching the main contacts on to simplify maintenance and increase safety. Offers side operation only.

Terminal Shrouds LDM3CU13

Protect against direct contact with the terminal.

Auxiliary Contact LDM3AUB1

Provides a signal to indicate the position of the switch.

Phase Barriers LDM3SF12

Isolates/separates active parts to increase clearance and decrease creepage.

Key Lock Device LDSCA11 (single)

Locks the operation of the switch with a key to prevent accidents and increase safety.

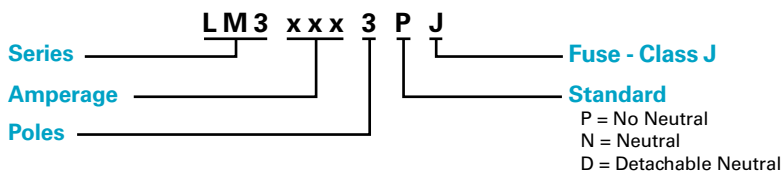
Key Lock Device LDSCE11 (double)

Locks the operation of the switch with a key to prevent accidents and increase safety.

Terminal Lugs LDM3TLU11 (1 pair)

Fastens the cable to a cage for stability.

Part Numbering System



Ordering Information

PART NUMBER	AMPERAGE	VOLTAGE	NUMBER OF POLES	STANDARD	FUSE CLASS J*	FUSE SIZE
LM32003PJ	200 A	600	3	No Neutral	JTD/JLS	41 x 146 mm
LM32003NJ	200 A	600	3	Neutral	JTD/JLS	41 x 146 mm
LM32003DJ	200 A	600	3	Detachable Neutral	JTD/JLS	41 x 146 mm

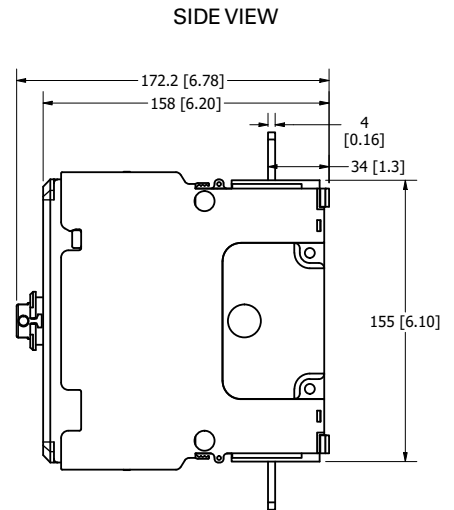
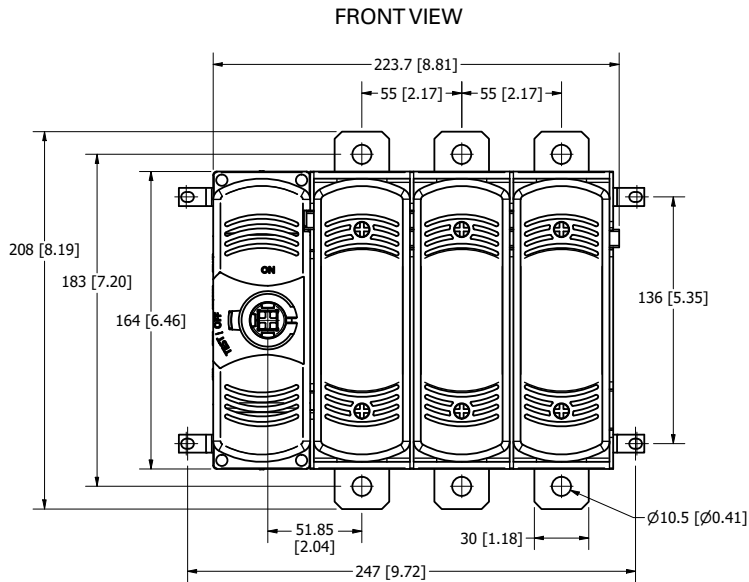
*Fuses sold separately

Solar Products

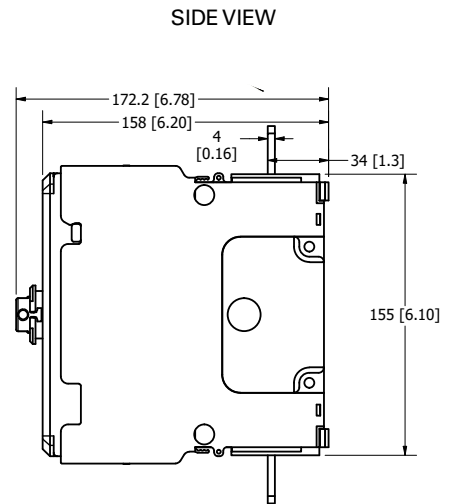
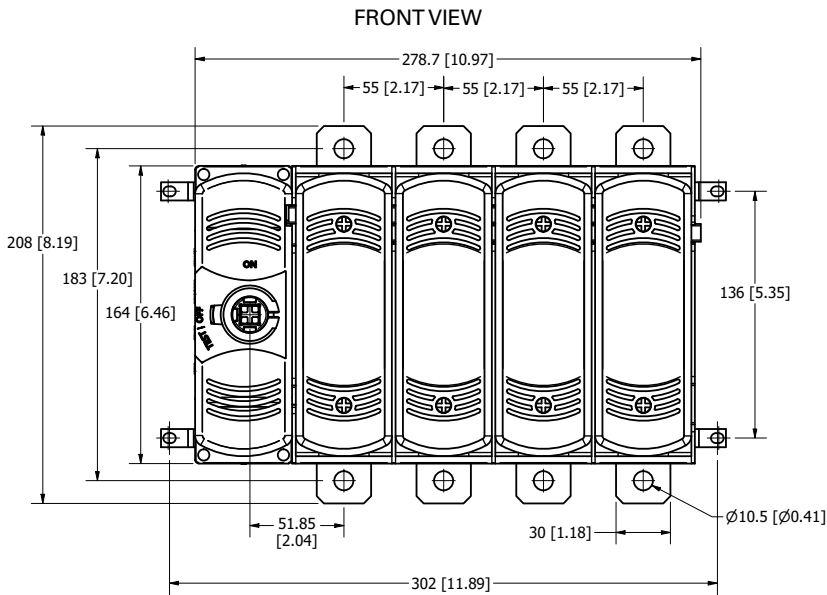
LM3200 SERIES CLASS J FUSE DISCONNECT SWITCH

Dimensions Millimeters (inches)

LM32003PJ – No Neutral



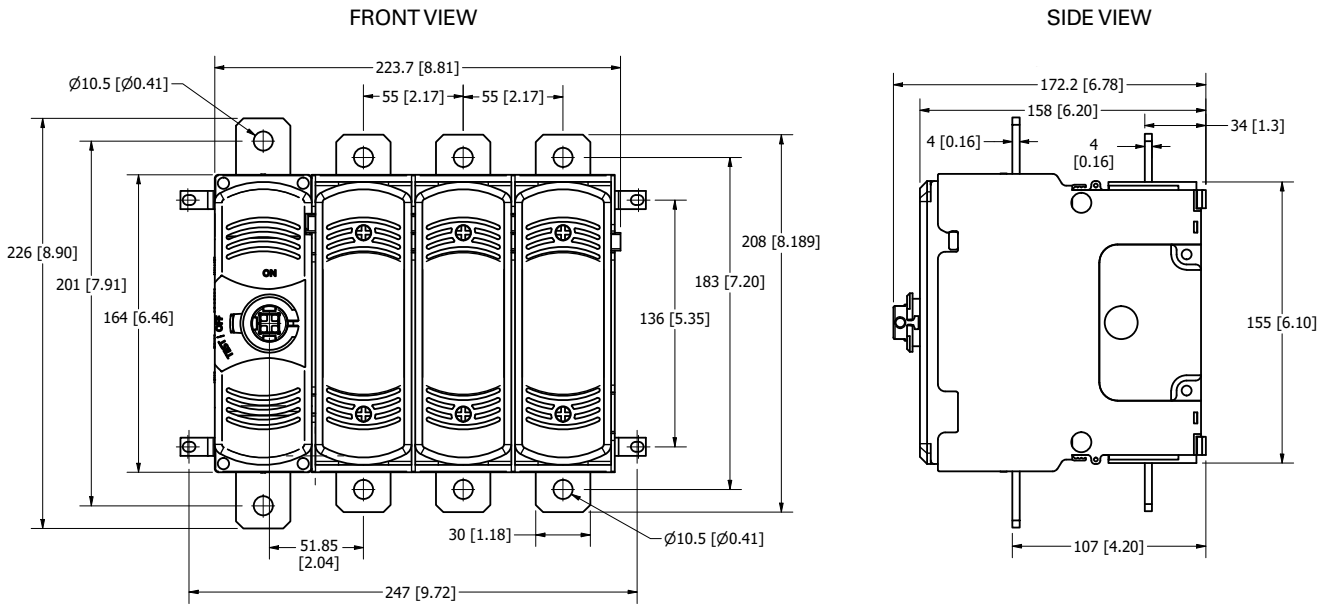
LM32003NJ – Neutral



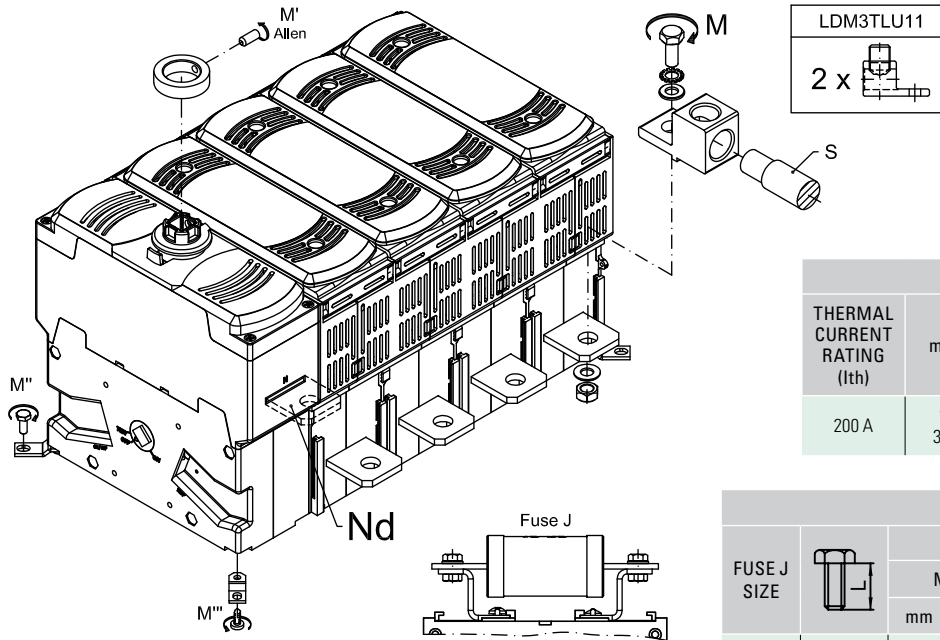
Solar Products

LM3200 SERIES CLASS J FUSE DISCONNECT SWITCH

LM32003DJ – Detachable Neutral



Switch – 3D Installation View



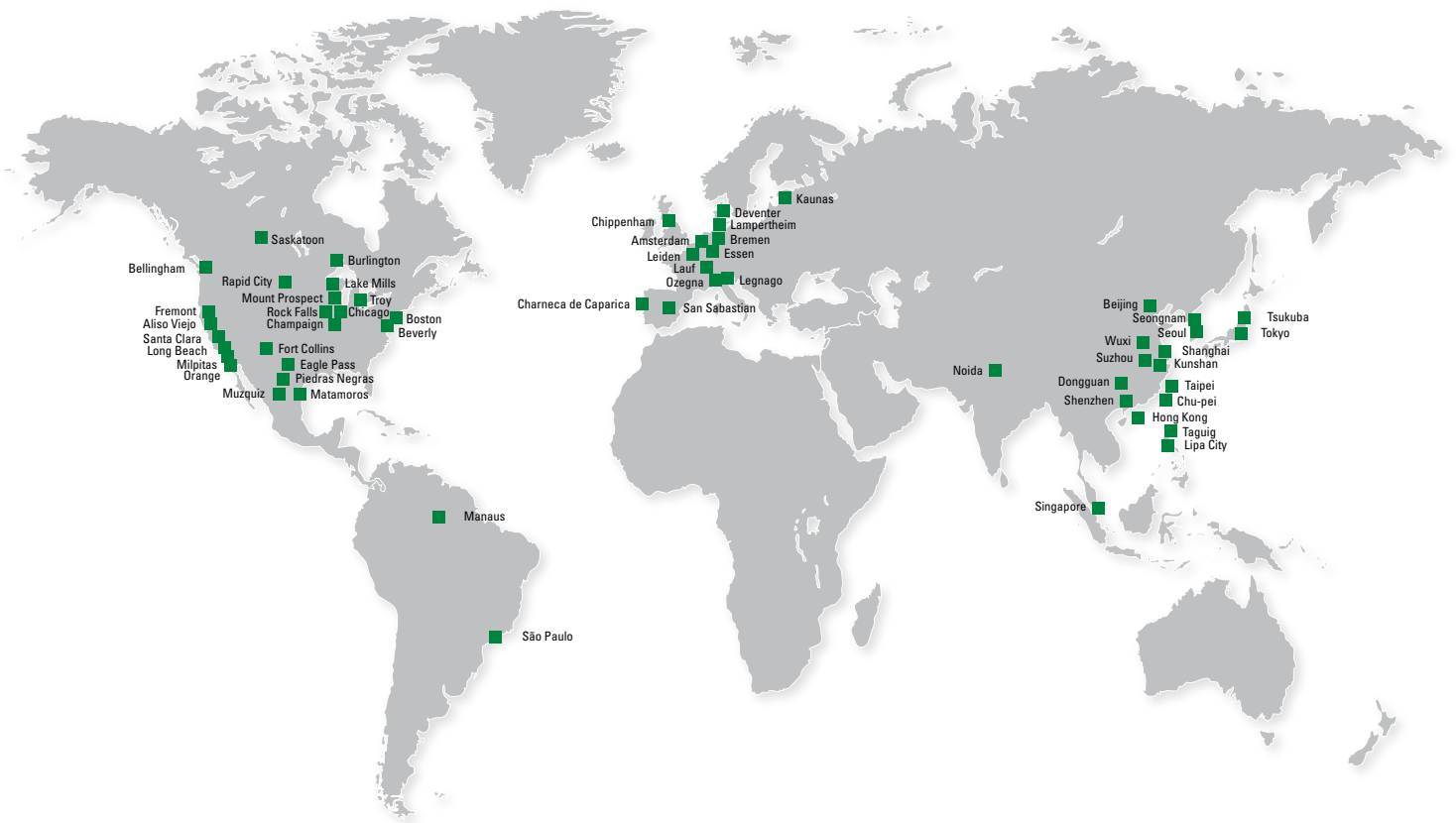
M	T	M (+5% -10%)	
		N•M	LBF•INCH
*	M5	1.2	10.6
**	M4	1.5	13.3
***	P4	0.8	7.1

COPPER (CU) WIRE - S MAX					
THERMAL CURRENT RATING (I _{th})	mm ²	AWG	T	M (+5% -10%)	
				1X	LBF•INCH
200 A	1x 300	1x 6	M10	18	159

FUSE J							
FUSE J SIZE	T	SCREW LENGTH				M (+5% -10%)	
		MIN		MAX		N•M	LBF•INCH
		mm	In	mm	In		
41x146	M6	15	0.59	20	0.78	5	44.2



Local Resources for a **GLOBAL** Market



Sales and Technical Support



United States and Mexico

Phone +1 800 TEC FUSE
+1 800 832 3873
Fax +1 800 522 7697

Brazil

Phone +55 11 4427 6261

Canada

Phone +1 306 373 5505

China

Hong Kong

Phone +852 2810 5099

Shanghai

Phone +86 21 2327 6000

Shenzhen

Phone +86 755 8207 0760

Taiwan

Phone +886 2 8751 1234

Europe

Phone +49 4244 819149

India

Phone +65 6885 9185

Japan

Phone +81 45 478 1088

Singapore

Phone +65 6885 9188

South Korea

Phone +82 2 6000 8600

United Arab Emirates (UAE)

Phone +971 4341 3660

Protection Relays & Controls Catalog (PF130N)

The comprehensive line of electronic and microprocessor-based protection relays, timers, and flashers safeguard equipment and personnel to prevent expensive damage, downtime or injury due to electrical faults.

Fuses & Fuse Holders Catalog (PF101N)

Littelfuse offers a complete circuit protection portfolio of industrial power fuses, including time-saving indication products for an instant visual blown-fuse identification.

Surge Protection Devices Catalog (PF612)

These surge protection devices safeguard components from transient overvoltage or surges.



Visit Technical Resources at Littelfuse.com

Technical information is only a click away. The Littelfuse Technical Resources section contains datasheets, product manuals, white papers, application guides, demos, on-line design tools, and more.





North America

Littelfuse World Headquarters
8755 West Higgins Road, Suite 500
Chicago, IL 60631, USA

Littelfuse SymCom
1241 Concourse Drive
Rapid City, SD 57703, USA

Littelfuse Startco
140 – 15 Innovation Boulevard
(The Galleria Building)
Saskatoon, SK S7N 2X8, Canada
Tel: +1-306-373-5505

Hartland Controls now part of **Littelfuse**
807 Antec Road
Rock Falls, IL 61071, USA
Tel: +1-815-626-5170

Technical Support:
Tel: +1-800-TEC-FUSE
E-mail: techline@littelfuse.com

Customer Service:
Tel: +1-800-227-0029
E-mail: PG_CSG@littelfuse.com

Asia

Littelfuse
Unit 1604B Desay Building,
Gaoxin Nanyi Ave.
Hi-Tech Industrial Park
Nashan District
Shenzhen, 518057, China
+86 755 8207 0760

Europe

Littelfuse
Julius-Bamberger-Str. 8a
Bremen, D-28279, Germany
+49 421 82 87 3 147



Littelfuse products are certified to many standards around the world. To check certifications on specific product please refer to the product datasheet on Littelfuse.com.

Disclaimer Notice – Information furnished is believed to be accurate and reliable. However, users should independently evaluate the suitability of and test each product selected for their own applications. Littelfuse products are not designed for, and may not be used in, all applications. Read complete Disclaimer Notice at www.littelfuse.com/product-disclaimer.