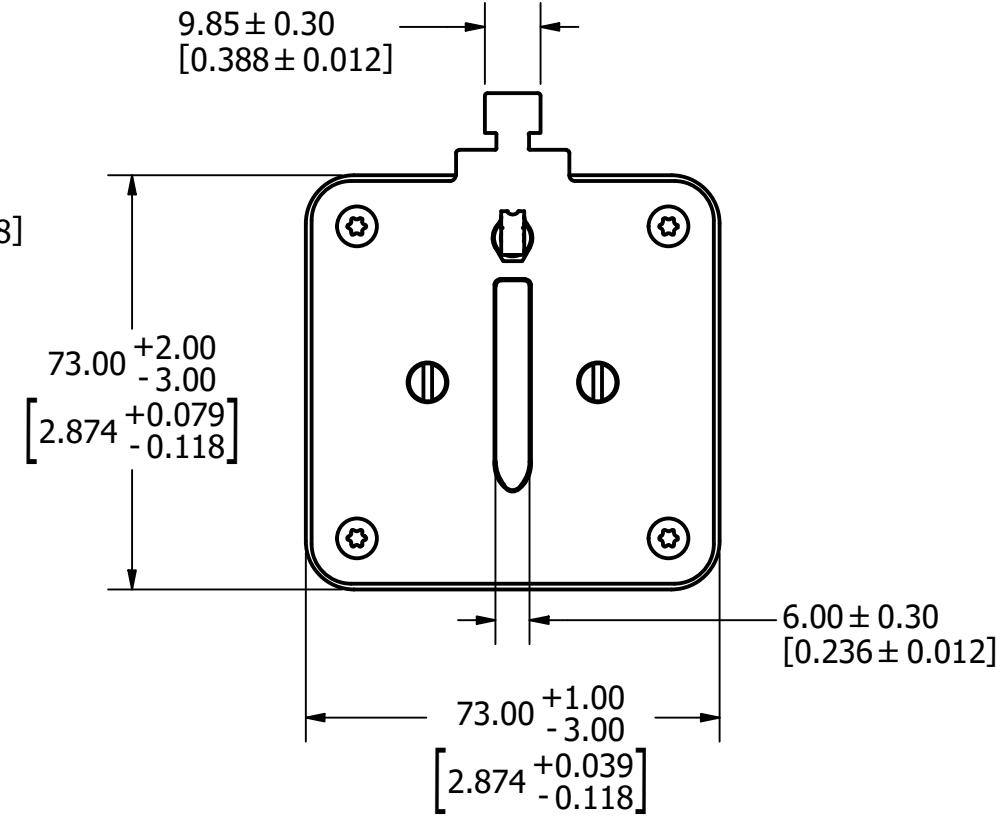
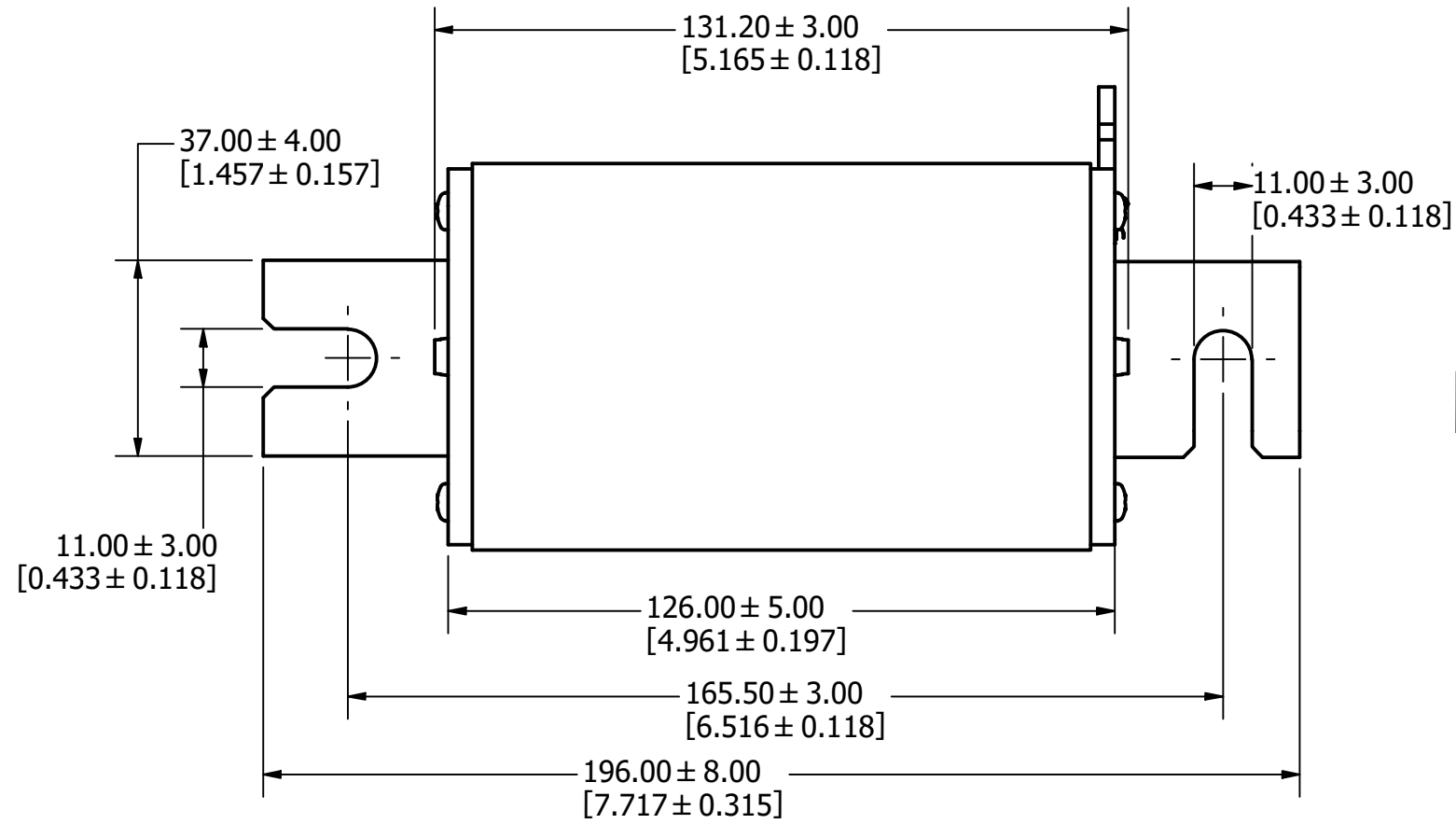


REVISION		
REV	DATE	DESCRIPTION
A	6/25/18	519469GCP - RELEASE PER EM3026 MRY
B	3/31/22	524923ECP/D - ADD TOLERANCES MRY



●	DENOTES CRITICAL CHARACTERISTICS.
CPK	DENOTES CPK DIMENSIONS, -MINIMUM CPK VALUE
⊠	DENOTES A CHARACTERISTIC THAT PROVIDES AN INDICATION OF PROCESS PERFORMANCE. PROCEDURE FOR MEASUREMENT AND TRACKING TO BE DEFINED IN LITTELFUSE INSPECTION INSTRUCTIONS.
CP	DENOTES CP DIMENSIONS, -MINIMUM CP VALUE MUST BE WITHIN THE DIMENSIONAL LIMITATIONS SHOWN ON DRAWING AND INITIALLY LOCATED TO ALLOW FOR MAXIMUM TOOL LIFE.

B

MATL SPEC		FINISH	
DRW MYORK	DATE 4/18/2018	SCALE NTS	FINISH GOOD WT GRAMS/PIECE

UNLESS OTHERWISE SPECIFIED, DIMENSIONS ARE IN MILLIMETERS, DIMENSIONS IN BRACKETS [] ARE INCHES DIMENSIONING AND DO NOT INCLUDE PLATING. TOLERANCING TO BE INTERPRETED IN ACCORDANCE WITH ANSI Y14.5M-1994

3RD ANGLE PROJECTION	
----------------------	--

TITLE
1500VDC SIZE 3L W/ S-BLADE PHOTOVOLTAIC FUSE W/ MICROSWITCH INTERFACE OUTLINE

Littelfuse CHICAGO, ILLINOIS 60631	REVISION B	DRWG NO. OL-SPNH.X3LDLMS	SHEET 1 OF 1
--	----------------------	------------------------------------	--------------