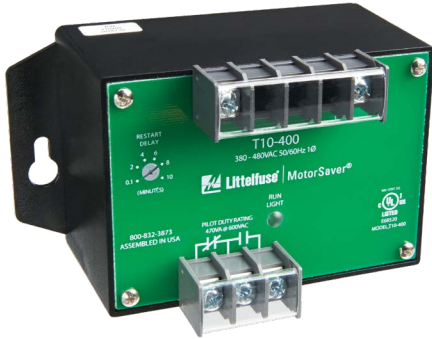
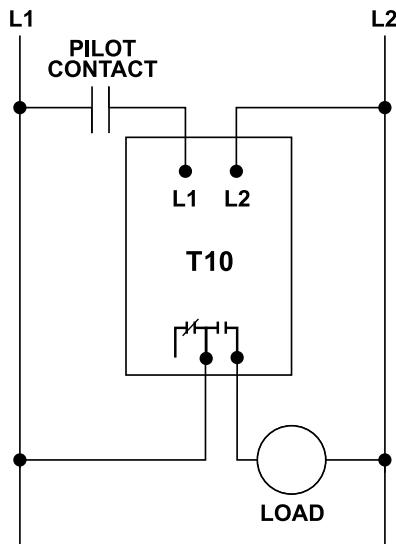


T10 SERIES

Solid-State On-Delay Timer



Wiring Diagram



Description

The T10 series on-delay timer is a solid-state electronic device that provides accurate and reliable timing for control circuits up to 460 V ac. The T10 features a user-selectable time delay from 6 seconds to 10 minutes (0.5 to 12 seconds on the T10S400 model) and SPDT output contacts. When power is applied to the T10, it immediately begins its timing cycle. During this time, the indicator LED alternates between red and green and the output contacts remain inactive. When the timing cycle is complete, the indicator LED turns solid green and the output contacts are activated. The output contacts will remain activated until power is removed from the T10.

The SPDT contact ratings are 480 V @ 240 V ac on the 115 V and 230 V models, and 470 VA @ 600 V ac on the 460 V model.

Features & Benefits

- Status LED
- 600 V control relay on 460 V models

Specifications

Input Characteristics

Frequency 50*/60 Hz

Functional Characteristics

Timing Range

T10100, T10200, T10400 6 seconds to 10 minutes
T10S400 0.5 seconds to 12 seconds

Repeat Accuracy

Fixed Condition ±1%

Output Characteristics

Output Contact Rating (SPDT)

Pilot Duty

T10100, T10200 480 VA @ 240 V ac
T10400, T10S400 470 VA @ 600 V ac

General Characteristics

Maximum Input Power 5 W

Terminal

Torque 7 in.-lbs.
Wire Size 12-18 AWG

Safety Marks

UL

UL 508 (File #E68520)

Dimensions

H 74.4 mm (2.93"); **W** 133.9 mm (5.27");
D 74.9 mm (2.95")

Weight

0.94 lb. (15.04 oz., 426.38 g)

Mounting Method

#8 screws

*Note: 50 Hz will increase all delay timers by 20%.

Ordering Information

MODEL	LINE VOLTAGE	DESCRIPTION
T10120	115 V ac	0.1 to 10 minute range, 240 V ac rated output contacts
T10200	230 V ac	0.1 to 10 minute range, 240 V ac rated output contacts
T10400	460 V ac	0.1 to 10 minute range, 600 V ac rated output contacts
T10S400	460 V ac	0.5 to 12 second range, 600 V ac rated output contacts