

SMCLCE-HRA Series

1500 W Low Capacitance Surface Mount in DO-214AB



Agency Approvals

| Agency | Agency File Number |
|--------|--------------------|
| | E230531 |

Maximum Ratings & Thermal Characteristics ($T_A = 25\text{ }^\circ\text{C}$ unless otherwise noted)

| Parameter | Symbol | Value | Unit |
|--|-----------|------------|------------------|
| Peak Pulse Power Dissipation by 10/1000 μs Waveform (Fig.1)(Note 1) | P_{PPM} | 1500 | W |
| Power Dissipation on Infinite Heat Sink at $T_L = 50\text{ }^\circ\text{C}$ | P_D | 6.5 | W |
| Operating Temperature Range | T_J | -65 to 150 | $^\circ\text{C}$ |
| Storage Temperature Range | T_{STG} | -65 to 175 | $^\circ\text{C}$ |

Notes:

1. Non-repetitive current pulse, per Fig. 3 and derated above T_J (initial) = $25\text{ }^\circ\text{C}$ per Fig. 2.

Description

SMCLCE-HRA high reliability series is designed specifically to protect sensitive data line electronic equipment from voltage transients induced by lightning and other transient voltage events.

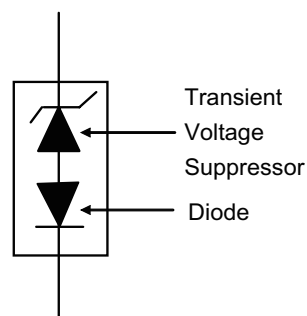
Features

- Low capacitance $\leq 50\text{ pF}$, 1500 W peak pulse power capability at 10/1000 μs waveform, repetition rate (duty cycles):0.01 %
- For surface mounted applications in order to optimize board space
- Low profile package
- Built-in strain relief
- Typical failure mode is short from over-specified voltage or current
- Whisker test is conducted based on JEDEC JESD201A per its table 4a and 4c
- ESD protection of data lines in accordance with IEC 61000-4-2 ESD 30 kV (Air), 30 kV (Contact)
- EFT protection of data lines in accordance with IEC 61000-4-4
- Glass passivated chip junction
- Low incremental surge resistance
- Fast response and excellent clamping capability
- UL recognized compound meeting flammability rating V-0
- Meet MSL level1, per J-STD-020, high temperature soldering guaranteed:260 $^\circ\text{C}/10$ seconds at terminals
- Matte tin lead-free plated
- Halogen free and RoHS compliant
- Pb-free E3 means 2nd level interconnect is Pb-free and the terminal finish material is tin(Sn) (IPC/JEDEC J-STD-609A.01)

Applications

- I/O Interfaces for avionics applications, such as flight control, FADEC, radar, and etc.
- Protection for aircraft fast data line


Schematic



SMCLCE-HRA Series

1500 W Low Capacitance Surface Mount in DO-214AB

Electrical Characteristics

| Part Number (Uni) | Marking Code | Stand-Off Voltage V_R (V) | Minimum Breakdown Voltage $V_{BR}(V)$ @ I_T | | Test Current I_T (mA) | Maximum Reverse Leakage at I_R @ V_R (μ A) | Maximum Clamping Voltage @ I_{PP} V_C (V) | Maximum Peak Pulse Current per (Fig.3) I_{PP} (A) | Maximum Junction Capacitance at 0 Volts $f = 1$ MHz (pF) | Working Inverse Blocking Voltage V_{WIB} (V) | Inverse Blocking Leakage Current at I_{IB} @ V_{WIB} (mA) | Peak Inverse Blocking Voltage V_{PIB} (V) | Agency Approval  |
|-------------------|--------------|-----------------------------|---|------|-------------------------|---|---|---|--|--|---|---|---|
| | | | Min | Max | | | | | | | | | |
| SMCLCE12-HRA | SGEEH | 12 | 13.3 | 14.7 | 1 | 5.00 | 20.9 | 75.4 | 50 | 75 | 1.0 | 100 | X |
| SMCLCE13-HRA | SGEGH | 13 | 14.4 | 15.9 | 1 | 3.00 | 22.5 | 69.8 | 50 | 75 | 1.0 | 100 | X |
| SMCLCE14-HRA | SGEKH | 14 | 15.6 | 17.2 | 1 | 3.00 | 24.2 | 64.7 | 50 | 75 | 1.0 | 100 | X |
| SMCLCE15-HRA | SGEMH | 15 | 16.7 | 18.5 | 1 | 0.96 | 25.4 | 61.5 | 50 | 75 | 1.0 | 100 | X |
| SMCLCE16-HRA | SGEPH | 16 | 17.8 | 19.7 | 1 | 0.96 | 27.0 | 57.7 | 50 | 75 | 1.0 | 100 | X |
| SMCLCE17-HRA | SGERH | 17 | 18.9 | 20.9 | 1 | 0.96 | 28.6 | 54.4 | 50 | 75 | 1.0 | 100 | X |
| SMCLCE18-HRA | SGETH | 18 | 20.0 | 22.1 | 1 | 0.96 | 30.2 | 51.4 | 50 | 75 | 1.0 | 100 | X |
| SMCLCE20-HRA | SGEVH | 20 | 22.2 | 24.5 | 1 | 0.96 | 33.4 | 46.3 | 50 | 75 | 1.0 | 100 | X |
| SMCLCE22-HRA | SGEXH | 22 | 24.4 | 26.9 | 1 | 0.96 | 36.5 | 42.3 | 50 | 75 | 1.0 | 100 | X |
| SMCLCE24-HRA | SGEZH | 24 | 26.7 | 29.5 | 1 | 0.96 | 39.9 | 38.6 | 50 | 75 | 1.0 | 100 | X |
| SMCLCE26-HRA | SGFEH | 26 | 28.9 | 31.9 | 1 | 0.96 | 43.1 | 35.7 | 50 | 75 | 1.0 | 100 | X |
| SMCLCE28-HRA | SGFGH | 28 | 31.1 | 34.4 | 1 | 0.96 | 46.5 | 33.1 | 50 | 75 | 1.0 | 100 | X |
| SMCLCE30-HRA | SGFKH | 30 | 33.3 | 36.8 | 1 | 0.96 | 49.4 | 31.0 | 50 | 75 | 1.0 | 100 | X |
| SMCLCE33-HRA | SGFMH | 33 | 36.7 | 40.6 | 1 | 0.96 | 53.3 | 28.2 | 50 | 75 | 1.0 | 100 | X |
| SMCLCE36-HRA | SGFPH | 36 | 40.0 | 44.2 | 1 | 0.96 | 58.1 | 25.9 | 50 | 75 | 1.0 | 100 | X |
| SMCLCE40-HRA | SGFRH | 40 | 44.4 | 49.1 | 1 | 0.96 | 64.5 | 23.3 | 50 | 75 | 1.0 | 100 | X |
| SMCLCE43-HRA | SGFTH | 43 | 47.8 | 52.8 | 1 | 0.96 | 69.4 | 21.7 | 50 | 75 | 1.0 | 100 | X |
| SMCLCE45-HRA | SGFVH | 45 | 50.0 | 55.3 | 1 | 0.96 | 72.7 | 20.6 | 50 | 75 | 1.0 | 100 | X |
| SMCLCE48-HRA | SGFXH | 48 | 53.3 | 58.9 | 1 | 0.96 | 77.4 | 19.4 | 50 | 75 | 1.0 | 100 | X |
| SMCLCE51-HRA | SGFZH | 51 | 56.7 | 62.7 | 1 | 0.96 | 82.4 | 18.2 | 50 | 75 | 1.0 | 100 | X |
| SMCLCE54-HRA | SGGEH | 54 | 60.0 | 66.3 | 1 | 0.96 | 87.1 | 17.3 | 50 | 100 | 1.0 | 125 | X |
| SMCLCE58-HRA | SGGGH | 58 | 64.4 | 71.2 | 1 | 0.96 | 93.6 | 16.1 | 50 | 100 | 1.0 | 125 | X |
| SMCLCE60-HRA | SGGKH | 60 | 66.7 | 73.7 | 1 | 0.96 | 96.8 | 15.5 | 50 | 100 | 1.0 | 125 | X |
| SMCLCE64-HRA | SGGMH | 64 | 71.1 | 78.6 | 1 | 0.96 | 103.0 | 14.6 | 50 | 100 | 1.0 | 125 | X |
| SMCLCE70-HRA | SGGPH | 70 | 77.8 | 86.0 | 1 | 0.96 | 113.0 | 13.3 | 50 | 125 | 1.0 | 150 | X |

Screen Process

| | |
|---|-----------------------------------|
| 100 % vision inspection | MIL-STD-750 method 2074 |
| 100 % X-RAY inspection | MIL-STD-750 method 2076 |
| 100 % temperature cycle test (-55 °C to 150 °C, 20 cycles, dwell time 15 min) | MIL-STD-750 method 1051 |
| 100 % reflow (2x) | JEDEC J-STD-020 |
| 100 % surge test (2x) | MIL-STD-750 method 4066 |
| 100 % HTRB 150 °C bias = V_R (80 % breakdown voltage, 96 hrs) | MIL-STD-750 method 1038 |
| Final electrical test (100 % 3 sigma limit, 100 % dynamic test and PAT limit) | MIL-STD-750 method 4016.4021.4011 |

Note: Up-screen program can be specified by customer's request by contacting Littelfuse customer service

SMCLCE-HRA Series

1500 W Low Capacitance Surface Mount in DO-214AB

Ratings and Characteristic Curves ($T_A = 25\text{ }^\circ\text{C}$ unless otherwise noted)

Figure 1 - Peak Pulse Power Rating Curve

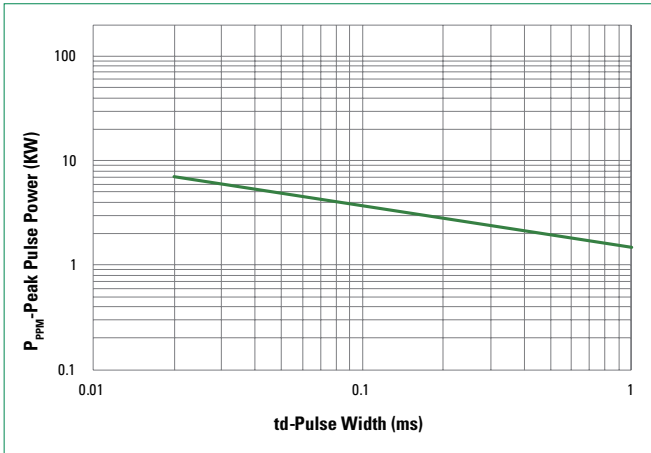


Figure 2 - Peak Pulse Power Derating Curve

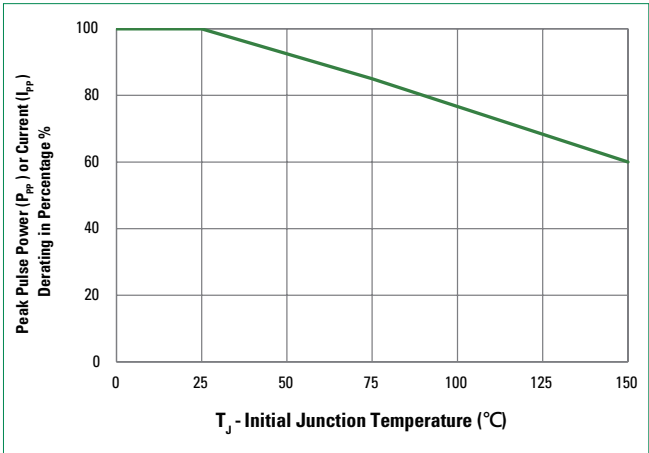


Figure 3 - Pulse Waveform

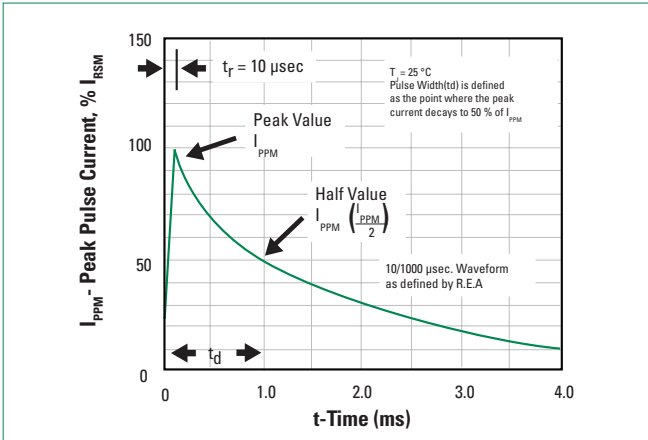
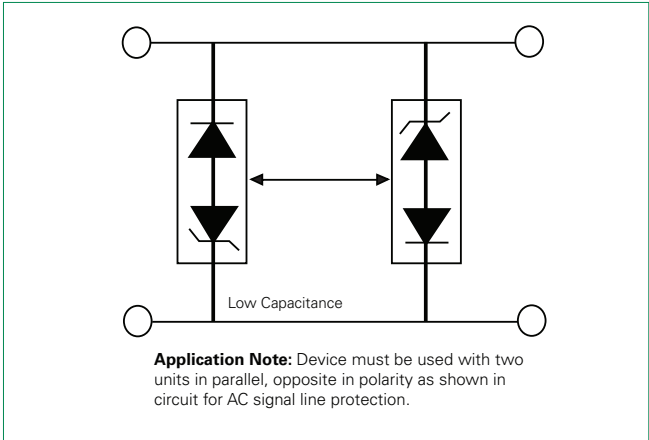


Figure 4 - AC Line Protection Application

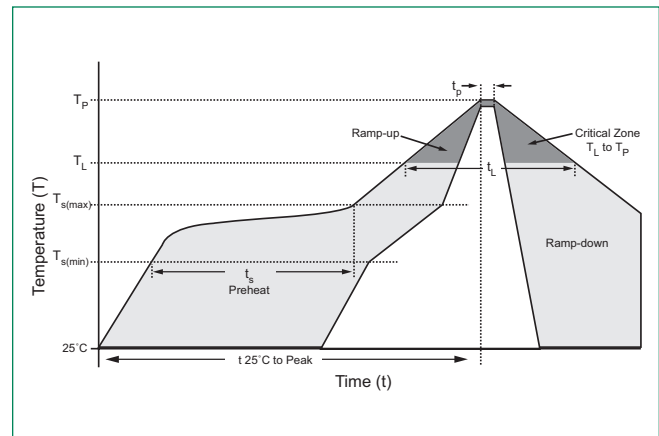


SMCLCE-HRA Series

1500 W Low Capacitance Surface Mount in DO-214AB

Soldering Parameters

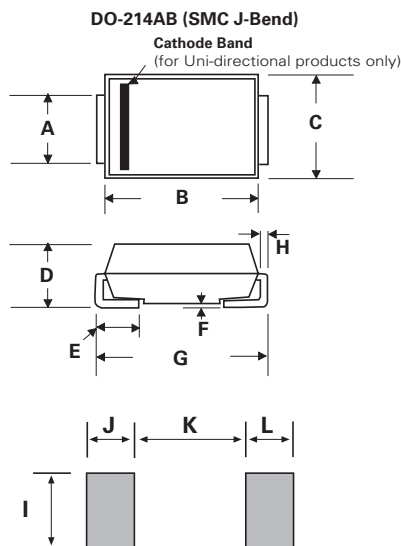
| | | |
|--|------------------------------------|-------------------------|
| Reflow Condition | | Lead-free assembly |
| Pre Heat | - Temperature Min ($T_{s(min)}$) | 150 °C |
| | - Temperature Max ($T_{s(max)}$) | 200 °C |
| | - Time (min to max) (t_s) | 60 – 180 seconds |
| Average Ramp Up Rate (Liquidus Temp (T_L) to Peak) | | 3 °C/second max |
| $T_{s(max)}$ to T_L - Ramp-up Rate | | 3 °C/second max |
| Reflow | - Temperature (T_L) (Liquidus) | 217 °C |
| | - Time (min to max) (t_s) | 60 – 150 seconds |
| Peak Temperature (T_p) | | 260 ^{+0/-5} °C |
| Time Within 5 °C of Actual Peak Temperature (t_p) | | 20 – 40 seconds |
| Ramp-down Rate | | 6 °C/second max |
| Time 25 °C to Peak Temperature (T_p) | | 8 minutes max |
| Do Not Exceed | | 260 °C |

**Physical Specifications**

| | |
|-----------------|--|
| Weight | 0.003oz., 0.093g |
| Case | JEDEC DO-214AB molded plastic body over glass passivated junction. |
| Polarity | Color band denotes cathode except bidirectional |
| Terminal | Matte Tin-plated leads. Solderable per JESD22-B102 |

Environmental Specifications

| | |
|---------------------------------|--------------------------|
| High Temperature Storage | JESD22-A103 |
| HTRB | JESD22-A108 |
| Temperature Cycling | JESD22-A104 |
| MSL | JEDEC-J-STD-020, Level 1 |
| H3TRB | JESD22-A101 |
| RSH | JESD22-A111 |

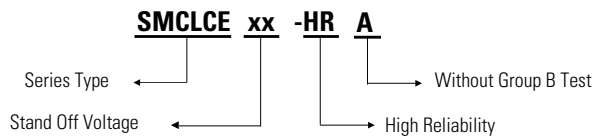
Dimensions**Recommended Soldering Pad Layout**

| Dimensions | Inches | | Millimeters | |
|------------|--------|-------|-------------|-------|
| | Min | Max | Min | Max |
| A | 0.114 | 0.126 | 2.900 | 3.200 |
| B | 0.260 | 0.280 | 6.600 | 7.110 |
| C | 0.220 | 0.245 | 5.590 | 6.220 |
| D | 0.079 | 0.103 | 2.060 | 2.620 |
| E | 0.030 | 0.060 | 0.760 | 1.520 |
| F | - | 0.008 | - | 0.203 |
| G | 0.305 | 0.320 | 7.750 | 8.130 |
| H | 0.006 | 0.012 | 0.152 | 0.305 |
| I | 0.129 | - | 3.300 | - |
| J | 0.094 | - | 2.400 | - |
| K | - | 0.165 | - | 4.200 |
| L | 0.094 | - | 2.400 | - |

SMCLCE-HRA Series

1500 W Low Capacitance Surface Mount in DO-214AB

Part Numbering System



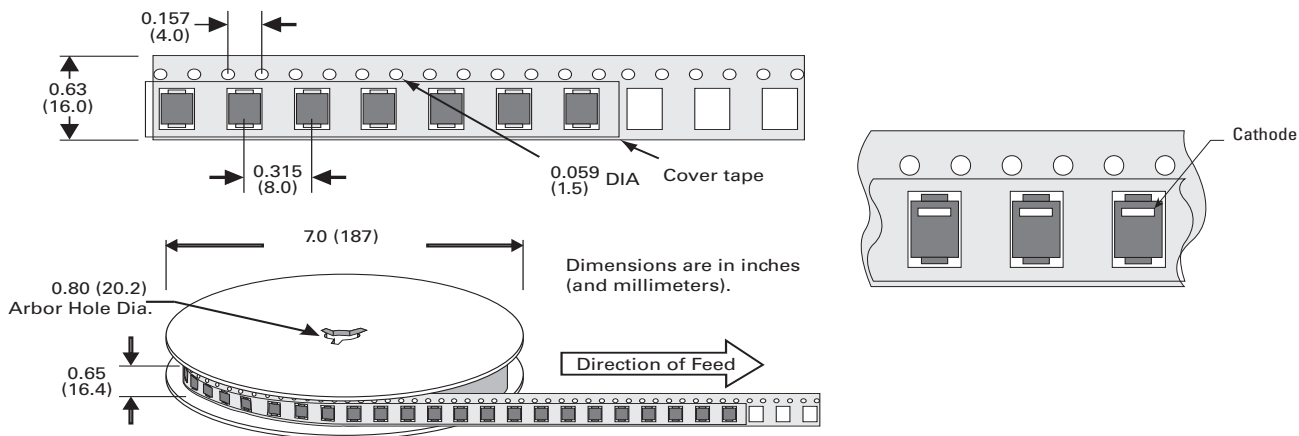
Part Marking System



Packaging

| Part number | Component Package | Quantity | Packaging Option | Packaging Specification |
|--------------|-------------------|----------|----------------------------------|-------------------------|
| SMCLCExx-HRA | DO-214AB | 500 | Tape & Reel - 16 mm tape/7" reel | EIA STD RS-481 |

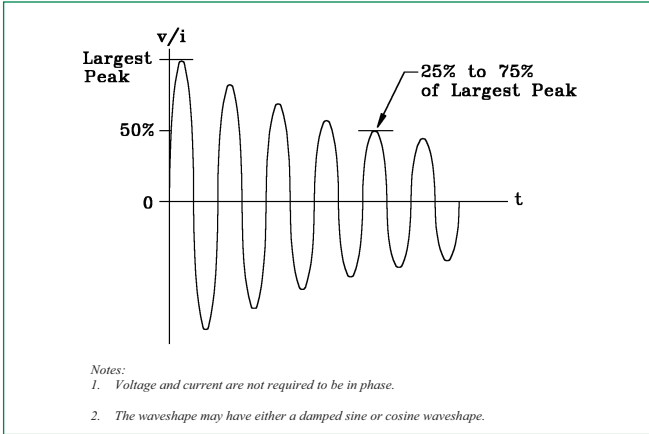
Tape and Reel Specification



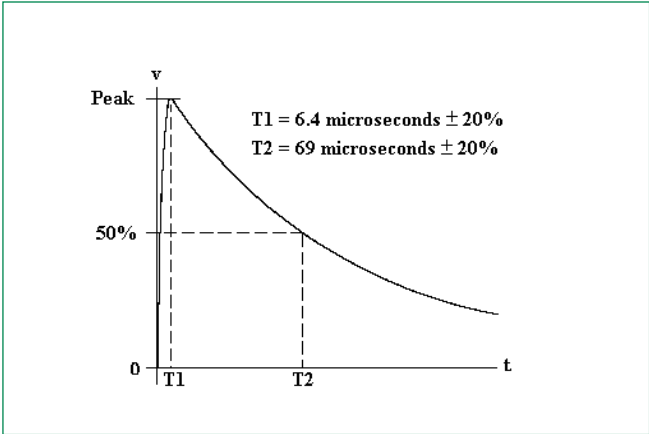
SMCLCE-HRA Series

1500 W Low Capacitance Surface Mount in DO-214AB

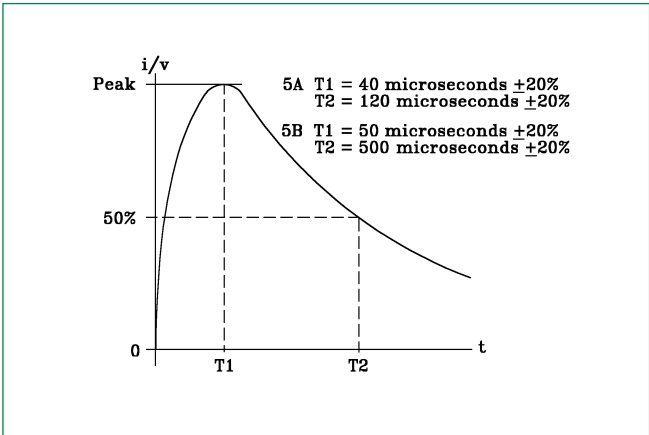
RTCA/DO-160G Wave 3



RTCA/DO-160G Wave 4



RTCA/DO-160G Wave 5



Pin Injection Protection Per RTCA/DO-160G

| Part Number | 25 °C | | | | | | 70 °C | | | | | | 120 °C | | | | | | | | | | | |
|--------------|--------|------|--------------------|------|------|------|---------------------|------|--------|------|--------------------|------|--------|------|---------------------|------|--------|------|--------------------|-----|------|------|---------------------|------|
| | Wave 3 | | Wave 4 (6.4/69 μs) | | | | Wave 5a (40/120 μs) | | Wave 3 | | Wave 4 (6.4/69 μs) | | | | Wave 5a (40/120 μs) | | Wave 3 | | Wave 4 (6.4/69 μs) | | | | Wave 5a (40/120 μs) | |
| | L5 | L3 | L4 | L5 | L3 | L4 | L5 | L3 | L4 | L5 | L3 | L4 | L5 | L3 | L4 | L5 | L3 | L4 | L5 | L3 | L4 | L5 | | |
| | 128A | 60A | 150A | 320A | 300A | 750A | 128A | 60A | 150A | 320A | 300A | 750A | 128A | 60A | 150A | 320A | 300A | 750A | 128A | 60A | 150A | 320A | 300A | 750A |
| SMCLCE12-HRA | pass | pass | pass | pass | pass | - | pass | pass | pass | pass | pass | pass | - | pass | pass | pass | pass | pass | - | - | - | - | - | - |
| SMCLCE13-HRA | pass | pass | pass | pass | pass | - | pass | pass | pass | pass | pass | pass | - | pass | pass | pass | pass | pass | - | - | - | - | - | - |
| SMCLCE28-HRA | pass | pass | pass | - | - | - | pass | pass | pass | - | - | - | pass | pass | pass | - | - | - | - | - | - | - | - | - |

Note: 1. L1 = Level 1, L2 = Level 2, L3 = Level 3, L4 = Level 4, L5 = Level 5

Disclaimer Notice - Information furnished is believed to be accurate and reliable. However, users should independently evaluate the suitability of and test each product selected for their own applications. Littelfuse products are not designed for, and may not be used in, all applications. Read complete Disclaimer Notice at <http://www.littelfuse.com/disclaimer-electronics>.

