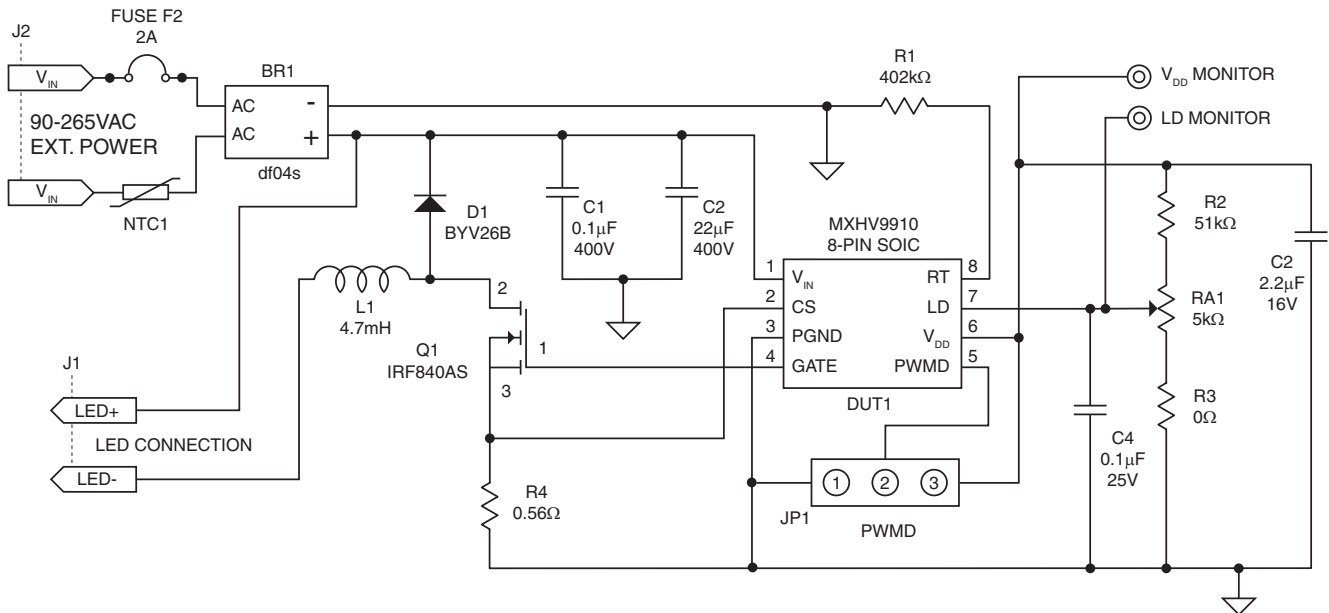


**Warning:**  
This demonstration board must be powered through an isolation transformer before connecting to any external AC instrumentation.



**LD MONITOR**  
The LD pin is connected to the wiper of RA1. LED current may be reduced in a linear fashion by adjusting RA1.

**JP1 - EXTERNAL PWM CONTROL INPUT**  
Connecting the PWM pin to VDD enables the converter. Applying a PWM TTL signal between the PWM pin and GND adjusts the average output current to the LEDs according to the duty cycle.



**For additional information please visit [www.ixysic.com](http://www.ixysic.com)**

*IXYS Integrated Circuits Division makes no representations or warranties with respect to the accuracy or completeness of the contents of this publication and reserves the right to make changes to specifications and product descriptions at any time without notice. Neither circuit patent licenses or indemnity are expressed or implied. Except as set forth in IXYS Integrated Circuits Division's Standard Terms and Conditions of Sale, IXYS Integrated Circuits Division assumes no liability whatsoever, and disclaims any express or implied warranty relating to its products, including, but not limited to, the implied warranty of merchantability, fitness for a particular purpose, or infringement of any intellectual property right.*

*The products described in this document are not designed, intended, authorized, or warranted for use as components in systems intended for surgical implant into the body, or in other applications intended to support or sustain life, or where malfunction of IXYS Integrated Circuits Division's product may result in direct physical harm, injury, or death to a person or severe property or environmental damage. IXYS Integrated Circuits Division reserves the right to discontinue or make changes to its products at any time without notice.*

---

Specifications: UG-MXHV9910DB265-December 22, 2012  
© Copyright 2012, IXYS Integrated Circuits Division  
All rights reserved. Printed in USA.  
12/22/2012