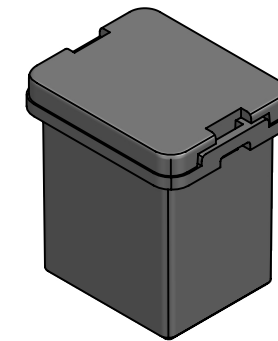
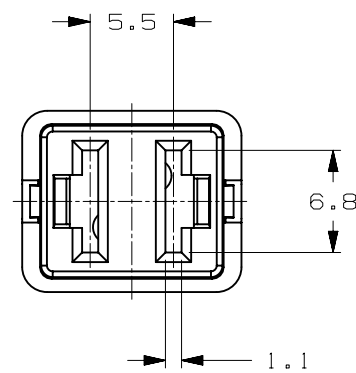
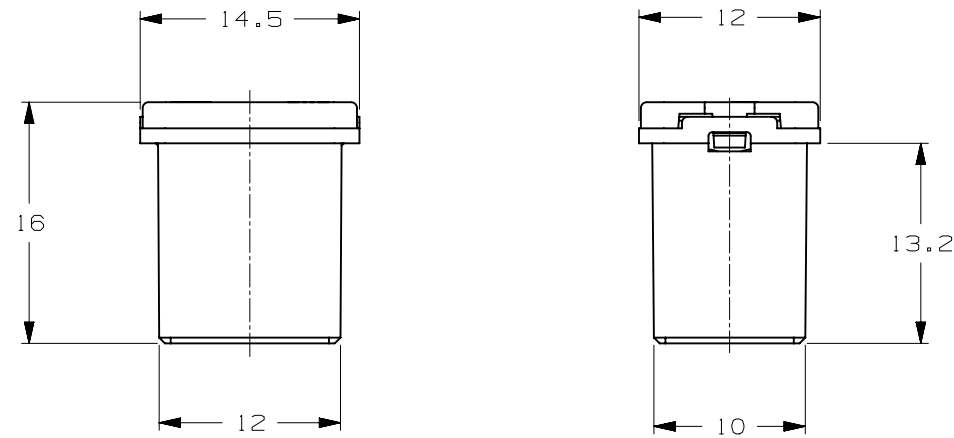


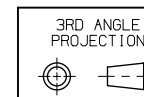
CURRENT RATE [A]	VERSIONS AND PART NUMBERS
20	0895020.Z
25	0895025.M
30	0895030.M
40	0895040.M
50	0895050.M
60	0895060.M
SHUNT	0895900.M

LTR	DATE	REVISION	DRW
A	01/FEB/23	526137GCA - INITIAL RELEASE	OPL



ISOMETRIC VIEW

LP JCASE 58V						
TERMINAL MATERIAL:	COPPER ALLOY					
TERMINAL PLATING:	ROSE-GF13 (U.L. 94 FLAMMABILITY RATING - HB)					
HOUSING MATERIAL:						
COVER MATERIAL:	PSU (U.L. 94 FLAMMABILITY RATING - HB)					
LINEAR DIMENSIONS				ANGLES	RADII	
DIM	.5 - 6	6 - 30	30 - 120	120 - 400	±0.5°	±0.2
TOL	±0.1	±0.2	±0.3	±0.5		



REVISION
A

DRWG. NO.
WEB-0895000.Z