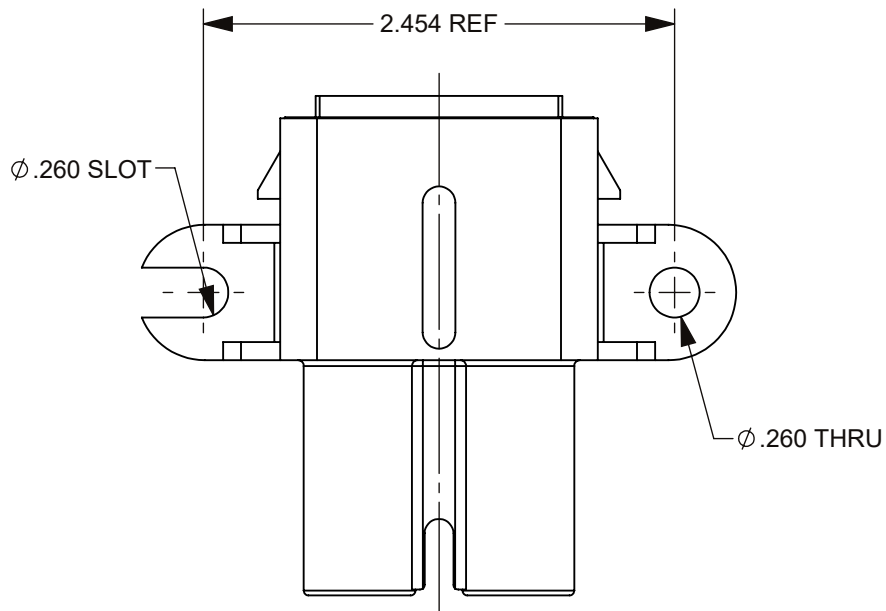


THIS DRAWING AND THE INFORMATION CONTAINED WITHIN IT ARE CONFIDENTIAL AND MAY NOT BE COPIED OR DISCLOSED WITHOUT THE WRITTEN PERMISSION OF LITTELFUSE.

REVISIONS

ZONE	REV.	DESCRIPTION	DATE	APPROVED
	A	PCO #5300031. INITIAL RELEASE. DSILVA	3/7/2022	S.CASTILLO




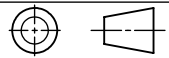
ITEM NO.	PART NO.	DESCRIPTION	QTY	U

TOLERANCES UNLESS OTHERWISE SPECIFIED
 TWO PLACE DEC ±.25 FRACTION ±
 THREE PLACE DEC ±.100 ANGULAR ±1°

UNLESS OTHERWISE SPECIFIED, DIMENSIONS DO NOT INCLUDE PLATING.

PER CHI-NPDD20-0008 PROCEDURE	●	FIT/ FUNCTION CRITICAL CHARACTERISTICS
	<S>	SAFETY/ COMPLIANCE CRITICAL CHARACTERISTICS SYMBOL
	CPK	DENOTES CPK DIMENSIONS MINIMUM CPK VALUE
	ST	DENOTES A CHARACTERISTIC THAT PROVIDES AN INDICATION OF PROCESS PERFORMANCE. PROCEDURE FOR MEASUREMENT AND TRACKING TO BE DEFINED IN LITTELFUSE INSPECTION INSTRUCTIONS
	CP	DENOTES CP DIMENSIONS, -MINIMUM CP VALUE MUST BE WITHIN THE DIMENSIONAL LIMITATIONS SHOWN ON DRAWING AND INITIALLY LOCATED TO ALLOW FOR MAXIMUM TOOL LIFE

- NOTES:
 1. SAME AS 01520005Z EXCEPT AS A HOWN.
 2. MATERIAL: BLACK RYNITE, EDM FINISH.

NAME		DATE		 Expertise Applied Answers Delivered
DRAWN	DSILVA	DWG DATE		
CHECKED	SCASTILLO	3/7/2022		
FORM NO: CVP-PE40-0001 REV B				TITLE MAXI SPLASHPROOF BODY W/ TABS
THIRD ANGLE PROJECTION				
		SIZE	DWG. NO.	REV.
		B	OUTLINE	A
DO NOT SCALE DRAWING			SCALE 1:1	SHEET 1 OF 1