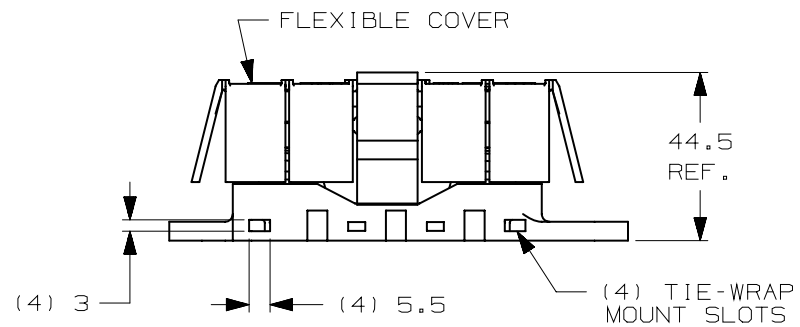


DOVETAIL FEATURES USED TO INTERLOCK MULTIPLE HOLDERS

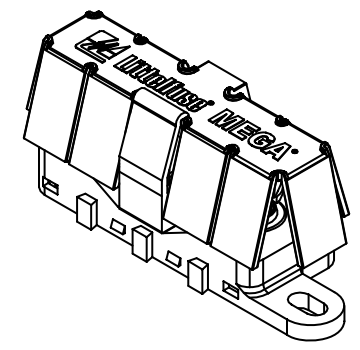
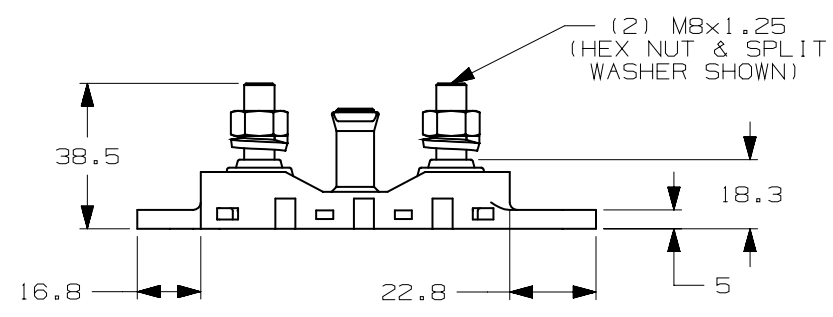
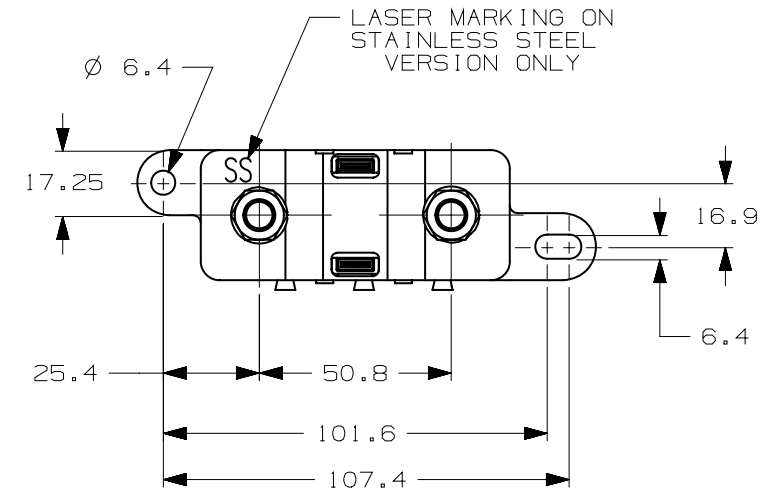


PART NO.	DESCRIPTION	MATERIAL (STUDS & HARDWARE)
02981028HXFCB	BASE ONLY (NO HARDWARE)	ZINC-PLATED STEEL
02981028HXFCC	COVER ONLY	-
02981028HXFC	ASSEMBLY	ZINC-PLATED STEEL
02981028HXFC-SS	ASSEMBLY	STAINLESS STEEL

- NOTES:
- 1) BASE: UL94V-0 GLASS-FILLED PPA  
M8 STUDS: SEE CHART  
HEX NUTS & SPLIT WASHERS: SEE CHART  
COVER: UL94V-0 ELASTOMER
  - 2) MAX FUSE RATING: 500A
  - 3) M8 STUD TORQUE: 12-18Nm  
MOUNTING TORQUE (W/M6 BOLTS & WASHERS): 5Nm
  - 4) TEMPERATURE RATING: -40°C TO 125°C
  - 5) WIRE SIZE: 8mm<sup>2</sup> TO 30mm<sup>2</sup>

COPIES TO	MATL SPEC	FINISH	SCALE	DRW DATE	CHK DATE	APPD DATE	TOLERANCES UNLESS OTHERWISE SPECIFIED (REF. ISO 2768-mK)	TITLE
1 9 2 10 3 12 4 13 5 14 6 15 7 16 8 17	SEE NOTES	N/A	1:2	04/30/09			UP TO 0.5 UP TO 0.3 UP TO 0.2 UP TO 0.1	FLEX-MEGA FUSE HOLDER
18 19 20 21 23 33 43 53							UP TO 0.1 UP TO 0.1 UP TO 0.1 UP TO 0.1	

METRIC



NO	COMPONENT NO	DESCRIPTION	QTY/M	U/M
BILL OF MATERIAL				
UNLESS OTHERWISE SPECIFIED, DIMENSIONS ARE IN MILLIMETERS. DIMENSIONS IN BRACKETS [ ] ARE INCHES				
UNLESS OTHERWISE SPECIFIED, DIMENSIONS DO NOT INCLUDE PLATING.				
⊙	DENOTES CRITICAL CHARACTERISTICS.			
CPK	DENOTES CPK DIMENSIONS, -MINIMUM CPK VALUE			
ST	DENOTES A CHARACTERISTIC THAT PROVIDES AN INDICATION OF PROCESS PERFORMANCE. PROCEDURE FOR MEASUREMENT AND TRACKING TO BE DEFINED IN LITTELFUSE INSPECTION INSTRUCTIONS			
CP	DENOTES CP DIMENSIONS, -MINIMUM CP VALUE MUST BE WITHIN THE DIMENSIONAL LIMITATIONS SHOWN ON DRAWING AND INITIALLY LOCATED TO ALLOW FOR MAXIMUM TOOL LIFE			

LTR	DATE	REVISION	CHK	APD
A	04/30/09	000689ER - RELEASE	KH	
B	7/08/09	00119BEC-ADDED 02981028HXFC-SS, 02981028HXFCB, & 02981028HXFC GMB		
C	09/10/09	001265EC-36.8 WAS 37.0, 17.25 WAS 17.2, (4)3 WAS (2)3, (4)5.5 WAS (2)5.5, ADDED LASER MARKING, CHG TOL. BLK TO 150 2768-mk GMB		
D	02/11/11	501732ECA-CHANGE BOLT DESIGN ON BASE.	OPL	

REVISION DRWG. NO. OL-02981028HXFC

Littelfuse  
DES. PLAINES, ILLINOIS 60016