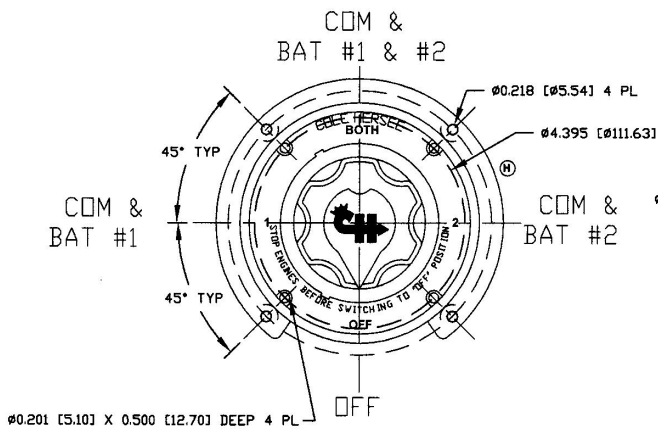
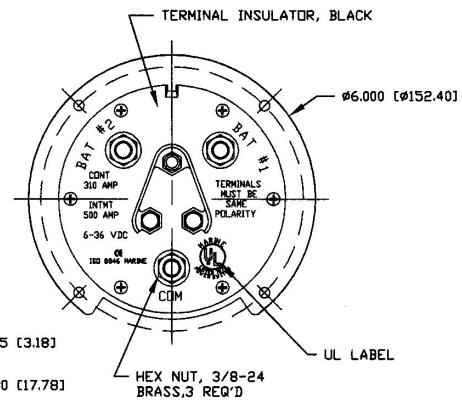
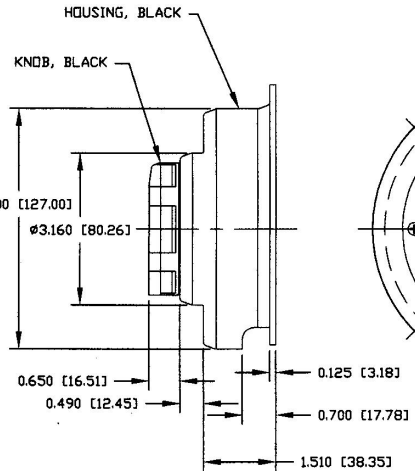
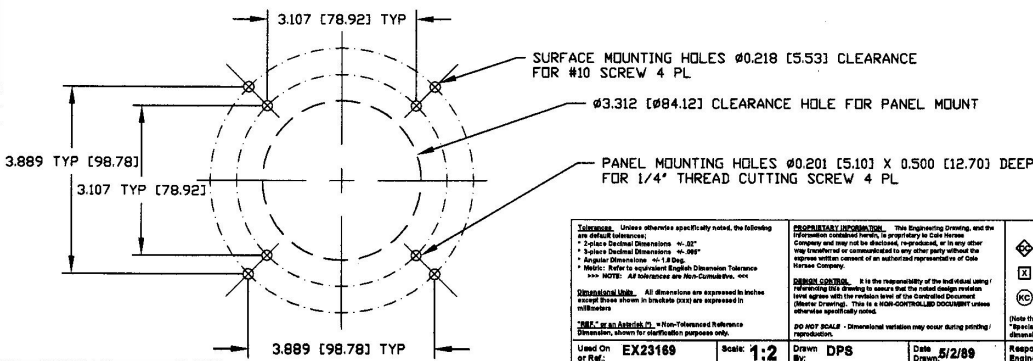


Revision Control Record

Rev.	Description of Change	ECN No.	Date
H	DELETE "BOSTON COLE HERSE" "	94224	6/25/04



MOUNTING INFORMATION



Tolerances: Unless otherwise specifically noted, the following are default tolerances:
 * 2-place Decimal Dimensions = ±.02"
 * 3-place Decimal Dimensions = ±.005"
 * Angular Dimensions = ±1.0 Deg.
 * Metric: Refer to equivalent English Dimension Tolerance
 * NOTE: All tolerances are Minus-Convexity, unless otherwise specifically noted.

Dimensional Limits: All dimensions are expressed to include except brass shown in brackets (xxx) are expressed in millimeters.

REF: See an Appendix C, "Non-Referenced Reference Dimension, shown for identification purposes only.

Used On: **EX23169**

PROPRIETARY INFORMATION: This Engineering Drawing, and the information contained herein, is proprietary to Cole Herse Company and may not be disclosed, reproduced, or in any other way transmitted or communicated to any other party without the express written consent of an authorized representative of Cole Herse Company.

APPROVAL: It is the responsibility of the individual using/interpreting this drawing to ensure that the stated design revision level agrees with the revision level of the Controlled Document (Issue Drawing). This is a **NON-CONTROLLED** document unless otherwise specifically noted.

Do NOT SCALE: Dimensional variation may occur during printing/reproduction.

Scale: **1:2**

Drawn by: **DPS**

Date Drawn: **6/2/09**

Social Characteristics:

CC Critical Characteristics, relating to Safety and/or Regulatory Compliance

X Significant Characteristics, relating to Process Control (SPC)

CC Control Dimension relating to Form, Fit, Function as defined by Cole Herse Company and/or the Customer

(Note that the Modification of any Characteristics as being "Revised" does not alter the requirement that ALL specified dimensions & tolerances must be met.)

Responsible Engineer:

Cole Herse Co.
 20 Old Colony Ave., South Boston, MA, 02137
 Phone: 617-268-2100 Web: www.coleherse.com

Description: **SW BAT SELECTOR**

Drawing/Part No.: **M-750**

Page: **1 of 1**

Revision: **H**