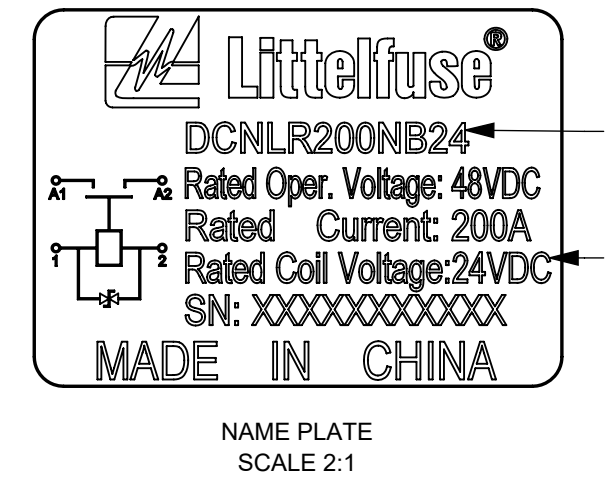
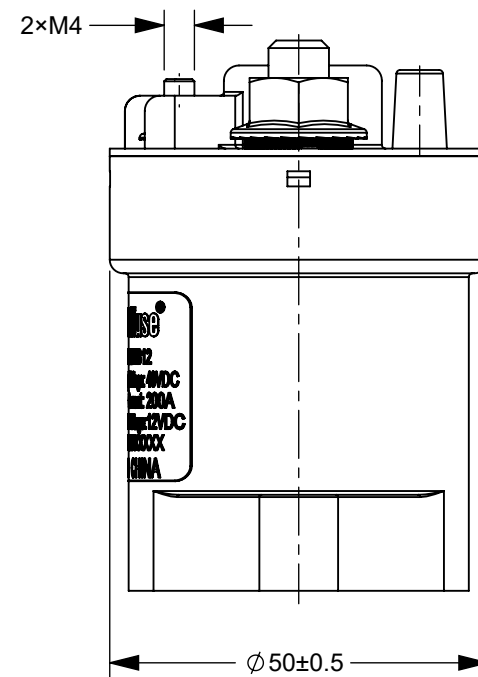
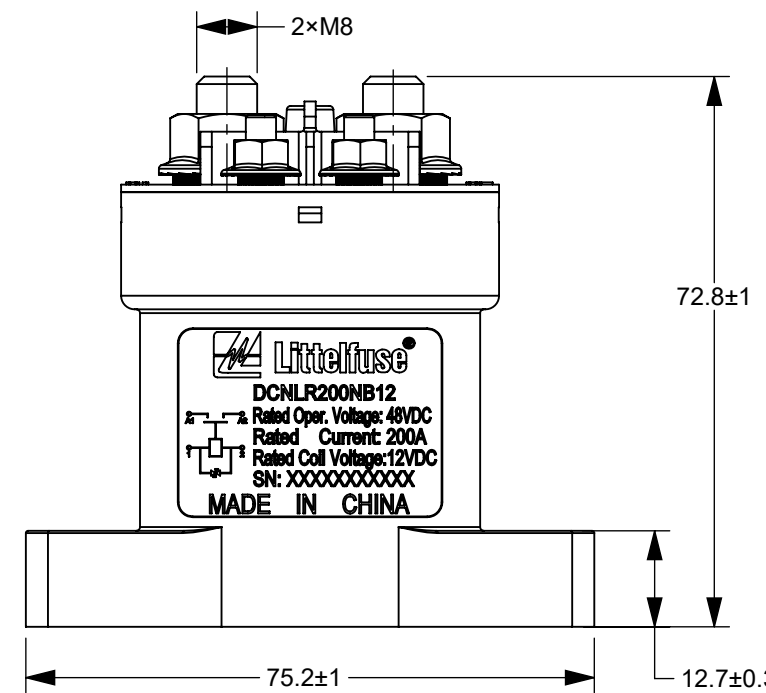
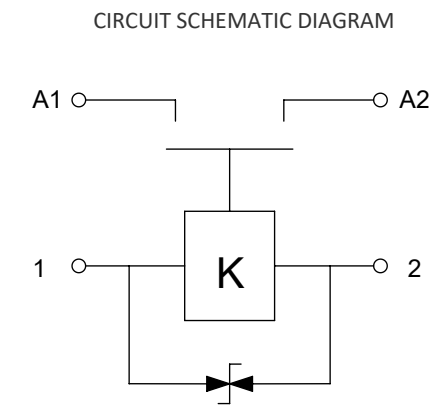
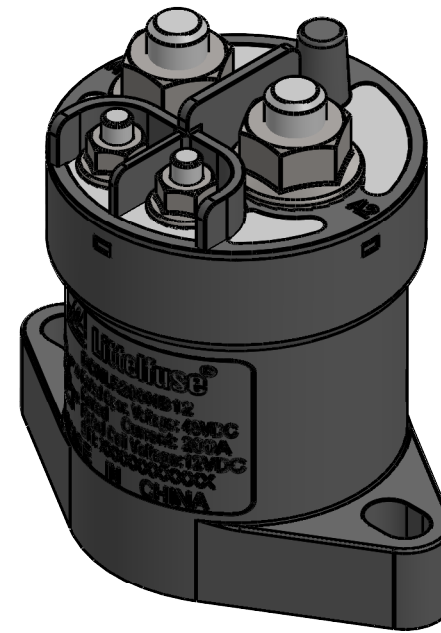
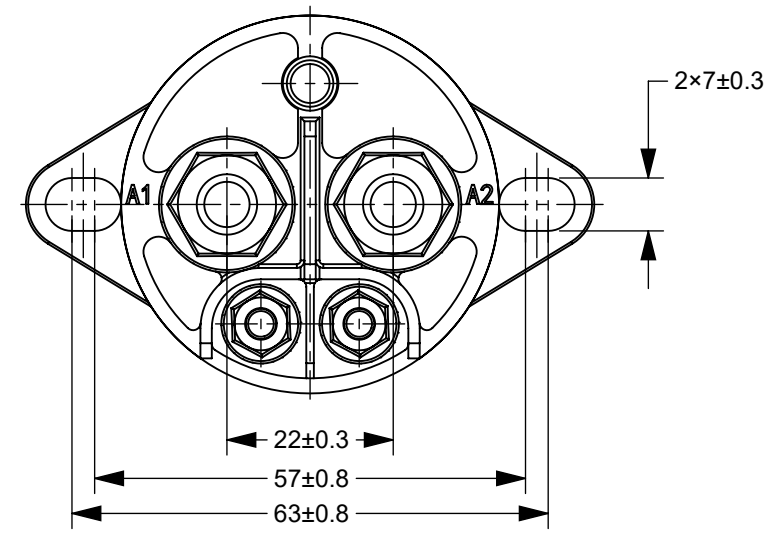


REVISIONS				
ZONE	REV.	DESCRIPTION	DATE	APPROVED
	A	GCF#524714 INITIAL RELEASE	JAN./10/2022	D. ZHANG



PART NUMBER		DCNLR200NB12	DCNLR200NB24	DCNLR200NB48	DCNLR200NB60
HOLD POWER		9.5W			
MAXIMUM CONTACT VOLTAGE		60V DC			
RETARD CONTACT VOLTAGE		48V DC			
RATED CONTACT CURRENT (@25°C)		200A			
RATED COIL VOLTAGE		12V DC	24V DC	48V DC	60V DC
OPERATING VOLTAGE (COLD STATE @ 25°C)	PICKUP	9V MAX	18V MAX	36V MAX	45V MAX
	RELEASE	1V MIN	2V MIN	4V MIN	5V MIN
OPERATING TIME (COLD STATE @ 25°C)	OPERATE TIME	MAX 25ms			
	RELEASE TIME	MAX 12ms			
	BOUNCE TIME	MAX 7ms			
CONTACT VOLTAGE DROP		≤80mV @ 200A			
INSULATION RESISTANCE@ 500V (INITIAL)		≥100MΩ			
DIELECTRIC STRENGTH (LEAKAGE CURRENT≤1mA)		2200V AC, 1 MINUTE			
ELECTRIC LIFE (CYCLES)		30, 000 CYCLES (200A @ 48V DC)			
		50, 000 CYCLES (200A @ 24V DC)			
MECHANICAL LIFE (NO LOAD, CYCLES)		200,000			
WORKING DUTY		CONTINUOUS			

NO.	PN	NAME PLATE		REMARK
		"A"	"B"	
1	DCNLR200NB12	DCNLR200NB12	Rated Coil Voltage:12VDC	
2	DCNLR200NB24	DCNLR200NB24	Rated Coil Voltage:24VDC	
3	DCNLR200NB48	DCNLR200NB48	Rated Coil Voltage:48VDC	
4	DCNLR200NB60	DCNLR200NB60	Rated Coil Voltage:60VDC	

- NOTES:
- ALL DIMENSIONS ARE REFERENCE ONLY.
  - PRODUCT TYPE: SPST-NO.
  - SEE TABLE 2 FOR CONFIGURATION OF NAME PLATE, RATED COIL VOLTAGE AND PNs.
  - MATERIALS AND FINISH:
    - HOUSING : THERMOPLASTIC PLASTICS.
    - CONTACTS: COPPER ALLOY.
    - CONTACT STUDS: COPPER ALLOY.
    - COIL STUDS: COPPER ALLOY.
  - MAIN CONTACT M8 STUD, TORQUE: 8~12N·m, COIL CONTACT M4 STUD, TORQUE: 1.0~1.6N·m.
  - MOUNTING: M5 BOLT, RECOMMENDED TORQUE: 4~6N·m.
  - CONTACTOR PARAMETERS ARE SHOWN IN TABLE 1.

DIMENSIONS ARE SHOWN IN MILLIMETERS. DIMENSIONS AND TOLERANCES ARE DEFINED ACCORDING TO ANSIA/SME Y14.5-1994.

●	FTI/ FUNCTION CRITICAL CHARACTERISTICS
<S>	SAFETY/ COMPLIANCE CRITICAL CHARACTERISTICS SYMBOL
CPK	DENOTES CPK DIMENSIONS MINIMUM CPK VALUE
(ST)	DENOTES A CHARACTERISTIC THAT PROVIDES AN INDICATION OF PROCESS PERFORMANCE PROCEDURE FOR MEASUREMENT AND TRACKING TO BE DEFINED IN LITTELFUSE INSPECTION INSTRUCTIONS
CP	DENOTES CP DIMENSIONS. -MINIMUM CP VALUE MUST BE WITHIN THE DIMENSIONAL LIMITATIONS SHOWN ON DRAWING AND INITIALLY LOCATED TO ALLOW FOR MAXIMUM TOOL LIFE

NAME	DATE	<p><b>Expertise Applied   Answers Delivered</b></p>
DRAWN: JY. SHI	May/19/2021	
CHECKED: J. LI	May/26/2021	TITLE: DCNLR 200A 48V NP CONTACTOR
FORM NO. CVP-PE40-0005 REV B		
THIRD ANGLE PROJECTION		SIZE: C DWG. NO.: OL-DCNLR200NB,CHT SCALE: 1:1
DO NOT SCALE DRAWING		

SHEET 1 OF 1