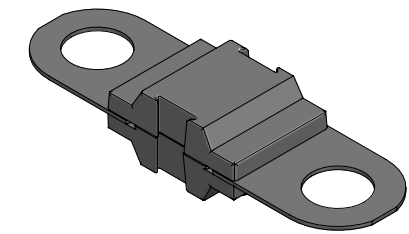
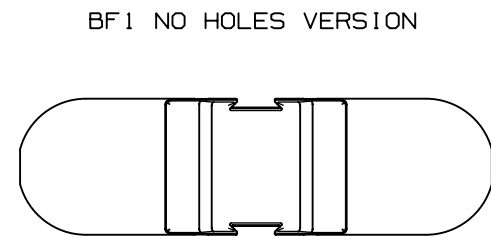
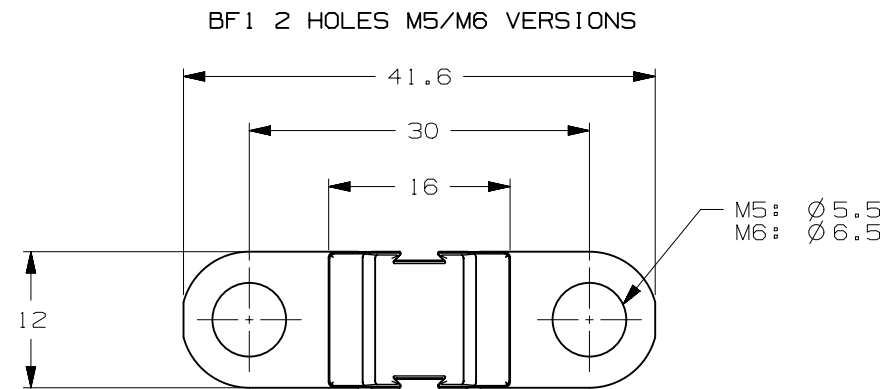
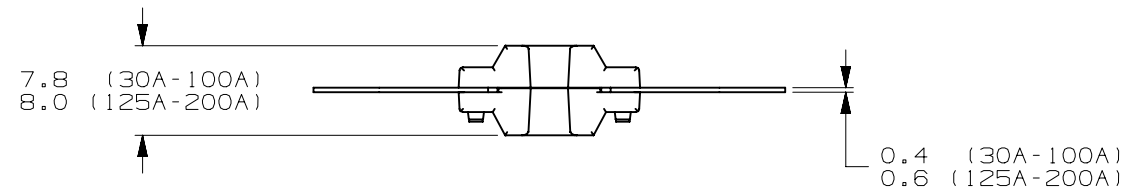


CURRENT RATE [A]	VERSIONS AND PART NUMBERS		
	M6 2 HOLES	M5 2 HOLES	NO HOLES
30	142.7010.5301	142.5631.5301	142.0020.5301
40	142.7010.5401	142.5631.5401	142.0020.5401
50	142.7010.5501	142.5631.5501	142.0020.5501
60	142.7010.5601	142.5631.5601	142.0020.5601
70	142.7010.5701	142.5631.5701	142.0020.5701
80	142.7010.5801	142.5631.5801	142.0020.5801
100	142.7010.6101	142.5631.6101	142.0020.6101
125	142.7010.6121	142.5631.6121	142.0020.6121
150	142.7010.6151	142.5631.6151	142.0020.6151
200	142.5631.6201	142.5631.6201	142.0020.6201

LTR	DATE	REVISION	DRW
A	01/FEB/23	526136GCA - INITIAL RELEASE	OPL



ISOMETRIC VIEW



BF1 58V						
TERMINAL MATERIAL:	COPPER ALLOY					
TERMINAL PLATING:	TIN					
HOUSING MATERIAL:	PET-GF33 (U.L. 94 FLAMMABILITY RATING - V0)					
CLEAR TOP HOUSING MATERIAL:	PES (U.L. 94 FLAMMABILITY RATING - V0)					
LINEAR DIMENSIONS				ANGLES	RADII	
DIM	.5 - 6	6 - 30	30 - 120	120 - 400	±0.5°	±0.2
TOL	±0.1	±0.2	±0.3	±0.5		
3RD ANGLE PROJECTION		Littelfuse		REVISION	DRWG. NO.	
		CHICAGO, USA 773-628-1000		A	WEB-142.0000.0000	