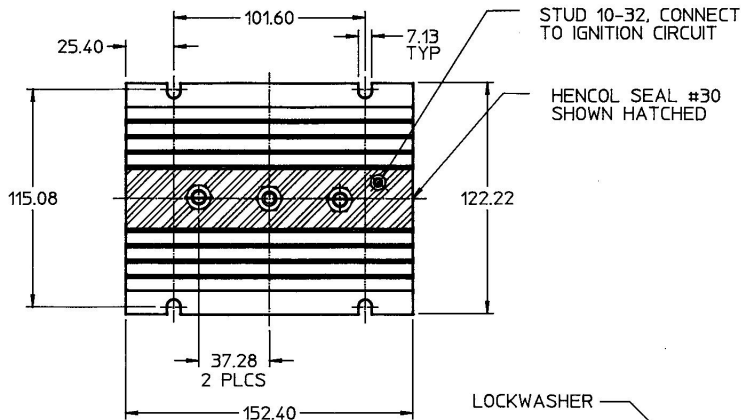
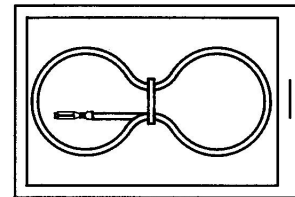


MM	IN
1.58	0.062
7.13	0.281
25.40	1.000
37.28	1.467
62.68	2.467
84.78	3.338
101.60	4.000
115.08	4.531
122.22	4.812
152.40	6.000
1828.80	72.000
1.0 mm ²	16 ga



STUD 10-32, CONNECT TO IGNITION CIRCUIT

HENCOL SEAL #30 SHOWN HATCHED



BAGGED PARTS

SCALE 1:2
NOTE 3

SHIPPED LOOSE

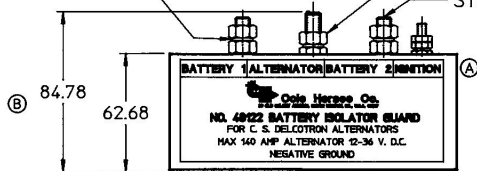
LOCKWASHER, 3 REQD

HEX NUT, 5 REQD

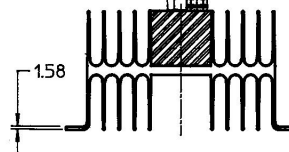
STUD, 5/16-18, 3 PL

LOCKWASHER

HEX NUT, 10-32, 2 REQD



HEATSINK, BLUE



NOTES:
1. ALL STEEL PARTS PLATED
2. ALL DIM'S REFERENCE ONLY
3. BAGGED PARTS INCLUDE 1-WIRE LEAD, 1.0 mm² GPT YELLOW, 1828.80 LONG WITH PACKARD TERMINAL #12015824 ATTACHED AND INFORMATION SHEET.

Confidential Property of Cole Hersee

METRIC

DO NOT SCALE

LET.	WAS	DATE	BY	LET.	WAS	DATE	BY	MATERIAL	DRWN	CHK	APVD	SCALE	EX222439	EX222627	DATE DRAWN
												1:2			10/5/88
				B	87.48	12/29/93	BL	FINISH							DATE BLUEPRINTED
				A	ECN 24012	7/22/89	JP	TOLERANCES DECIMAL & ANGLE &							
					ISSUED	2/2/89	AF								

Cole Hersee Co.
20 OLD COLONY AVENUE, BOSTON, MA, U.S.A., 02127
BATTERY ISOLATOR GUARD FOR C S DELTRON ALTERNATOR