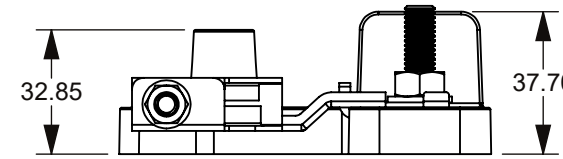
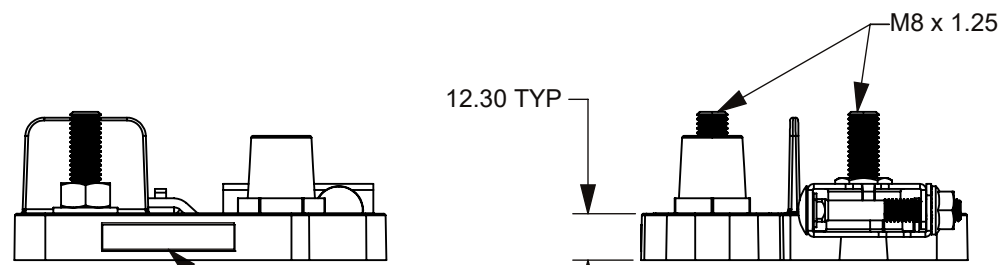
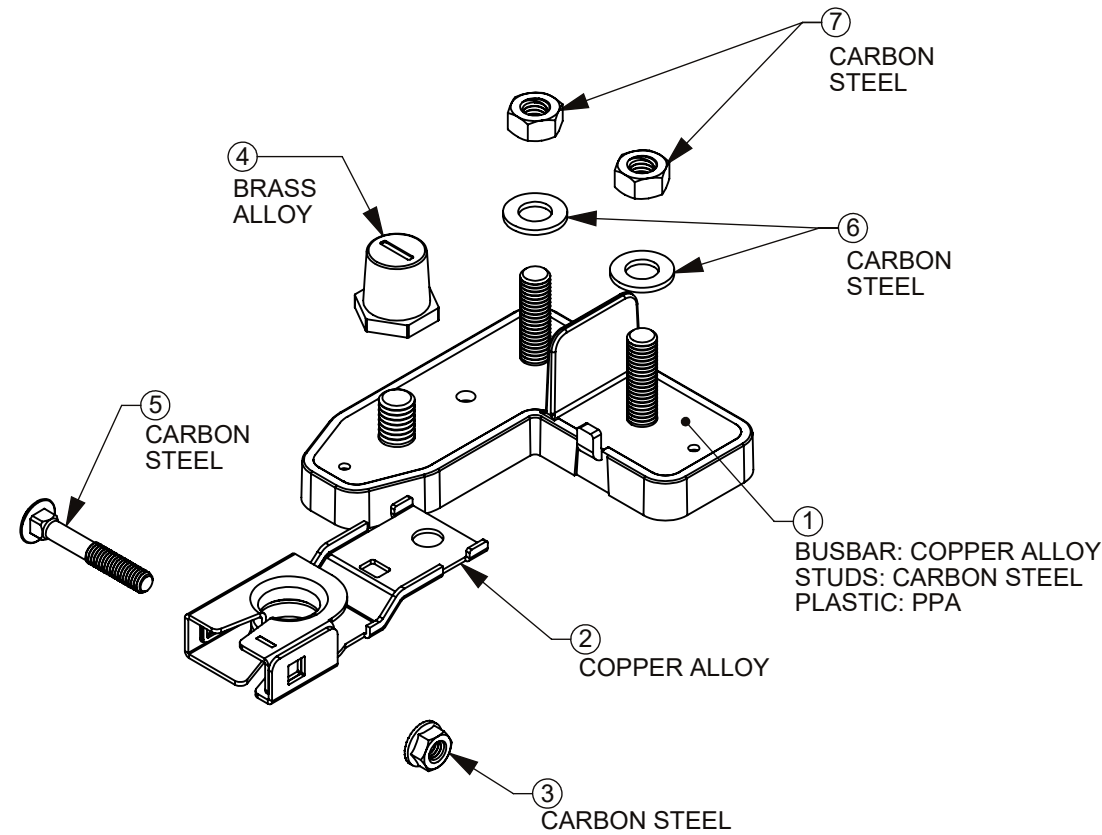
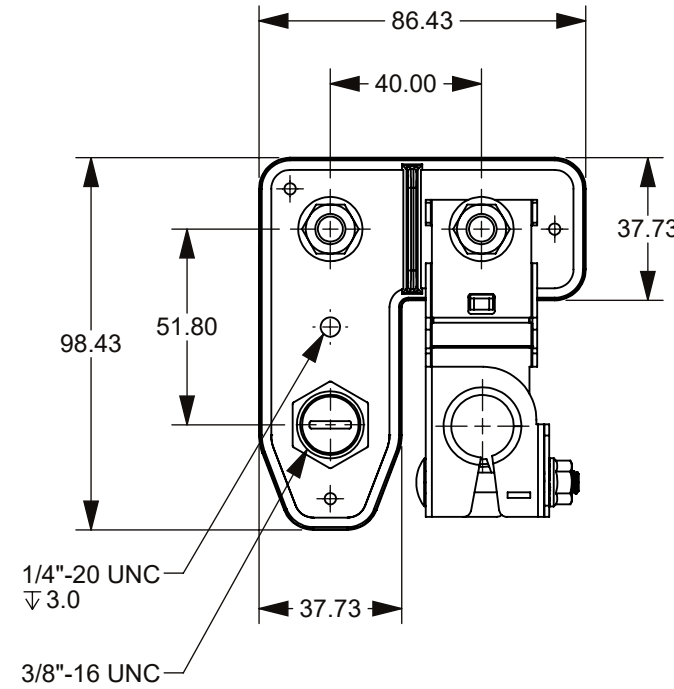


THIS DRAWING AND THE INFORMATION CONTAINED WITHIN IT ARE CONFIDENTIAL AND MAY NOT BE COPIED OR DISCLOSED WITHOUT THE WRITTEN PERMISSION OF LITTELFUSE.

| REVISIONS | | | | |
|-----------|------|------------------------------|----------|--------------|
| ZONE | REV. | DESCRIPTION | DATE | APPROVED |
| | A | GCF 523452 - INITIAL RELEASE | 3/9/2021 | R. OLSZEWSKI |

NOTES:

- MATERIAL: BASE: PPA-GF30, UL94 V-0
- MAX CONTINUOUS CURRENT: 400A @ <50°C TEMP RISE
- MAX VOLTAGE: 32V
- MOUNTING TORQUE WITH M8 NUT: 14±2 N-m (10.3±1.5 FT-LBS)
- BATTERY TERMINAL TORQUE WITH M6 NUT: 5.4±0.9 N-m (4.0±0.7 FT-LBS) @ 540 RPM
- BATTERY ADAPTER TORQUE: 16±2 N-m (11.8±1.5 FT-LBS)
- TRACEABILITY LABEL:
LITTELFUSE P/N: FHZ210
SERIAL #: REVISION LETTER/FHZ210-MONTH/YEAR



TRACEABILITY LABEL
SEE NOTE 7

| NO. | COMPONENT NAME | QTY | U |
|-----|------------------------------------|-----|----|
| 8 | 2 POS TRACEABILITY LABEL, MKT | 1 | EA |
| 7 | NUT, M8x1.25, HEX | 2 | EA |
| 6 | WASHER, M8, FLAT | 2 | EA |
| 5 | BOLT, M6x1.0, CUP HEAD SQUARE NECK | 1 | EA |
| 4 | NEGATIVE CHARGING CABLE ADAPTER | 1 | EA |
| 3 | NUT, M6x1.0, SERRATED FLANGE | 1 | EA |
| 2 | NEGATIVE TOP POST BATTERY TERMINAL | 1 | EA |
| 1 | 2 POS TERM BLOCK BASE SA | 1 | EA |

| | | |
|-----|--|--|
| ● | | FIT/ FUNCTION CRITICAL CHARACTERISTICS SYMBOL |
| <S> | | SAFETY/ COMPLIANCE CRITICAL CHARACTERISTICS SYMBOL |
| CPK | | DENOTES CPK DIMENSIONS MINIMUM CPK VALUE |
| ST | | DENOTES A CHARACTERISTIC THAT PROVIDES AN INDICATION OF PROCESS PERFORMANCE PROCEDURE FOR MEASUREMENT AND TRACKING TO BE DEFINED IN LITTELFUSE INSPECTION INSTRUCTIONS |
| CP | | DENOTES CP DIMENSIONS, -MINIMUM CP VALUE MUST BE WITHIN THE DIMENSIONAL LIMITATIONS SHOWN ON DRAWING AND INITIALLY LOCATED TO ALLOW FOR MAXIMUM TOOL LIFE |

DIMENSION: MM TOLERANCES UNLESS OTHERWISE SPECIFIED
ONE PLACE DECIMAL ± 0.5 THREE PLACES DECIMAL ± 0.100
TWO PLACES DECIMAL ± 0.20 ANGULAR ± 2°

| | | |
|------------------------------|-----------|--|
| NAME | DATE | <p>Littelfuse Expertise Applied Answers Delivered</p> |
| DRAWN | 3/9/2021 | |
| CHECKED | - | |
| FORM NO: CVP-PE40-0004 REV A | | TITLE |
| THIRD ANGLE PROJECTION | | BATT MOUNT, 2POS, BUSSED, FUSE HOLDER |
| SIZE | DWG. NO. | OUTLINE |
| B | OL-FHZ210 | A |
| DO NOT SCALE DRAWING | | SCALE 1:2 |
| | | SHEET 1 OF 1 |