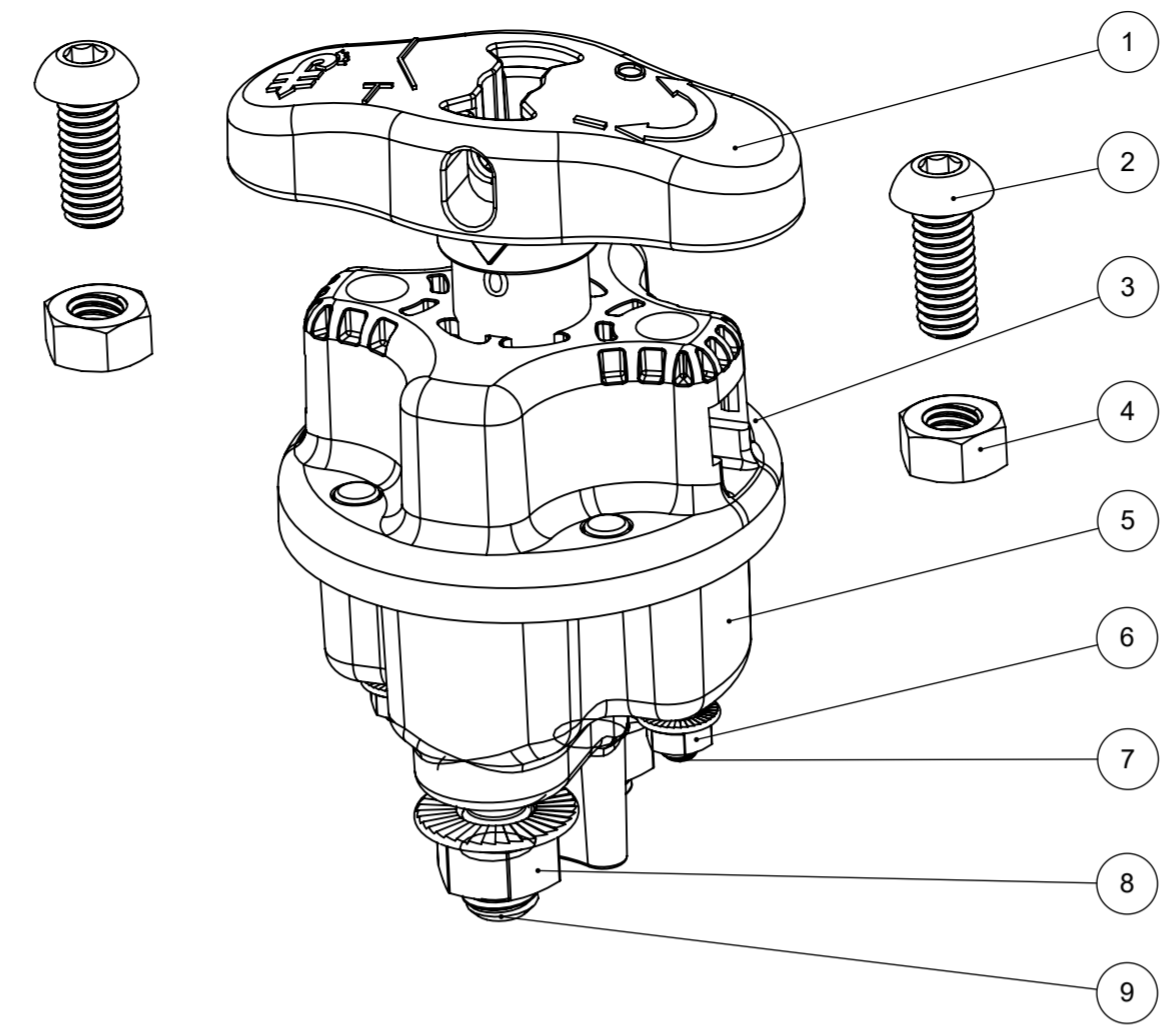
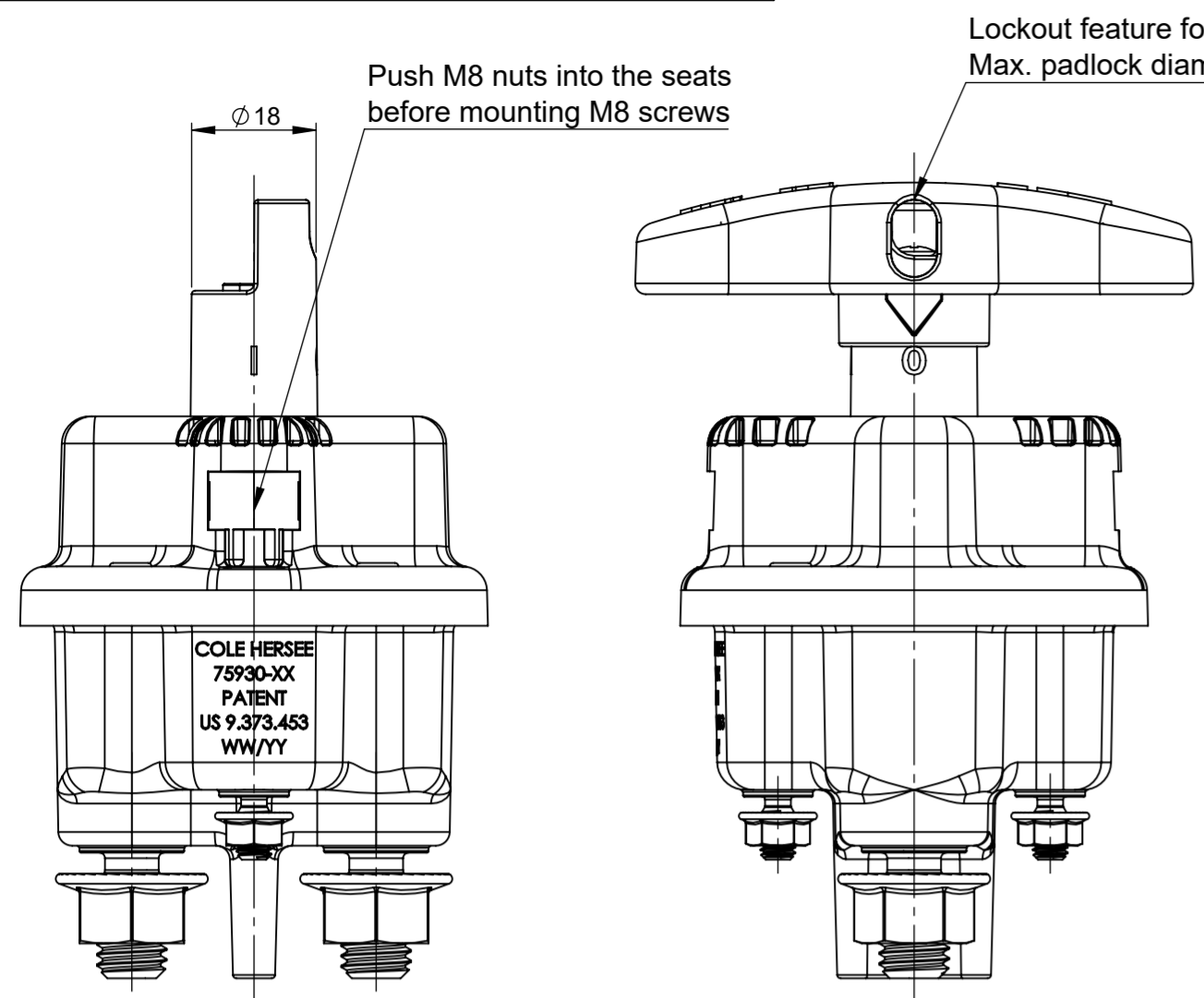


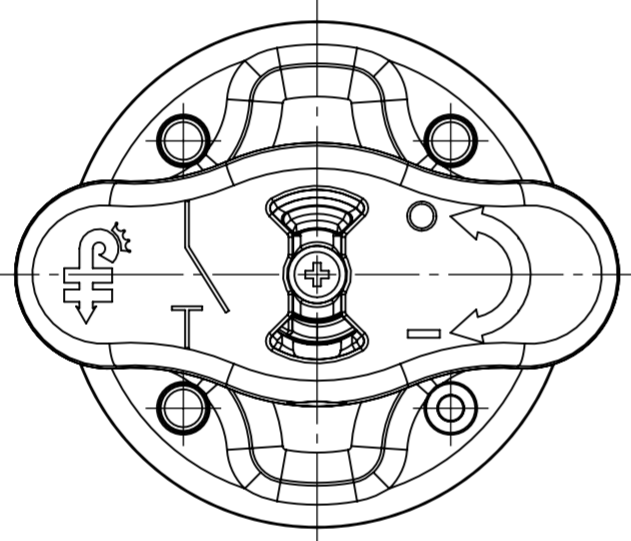
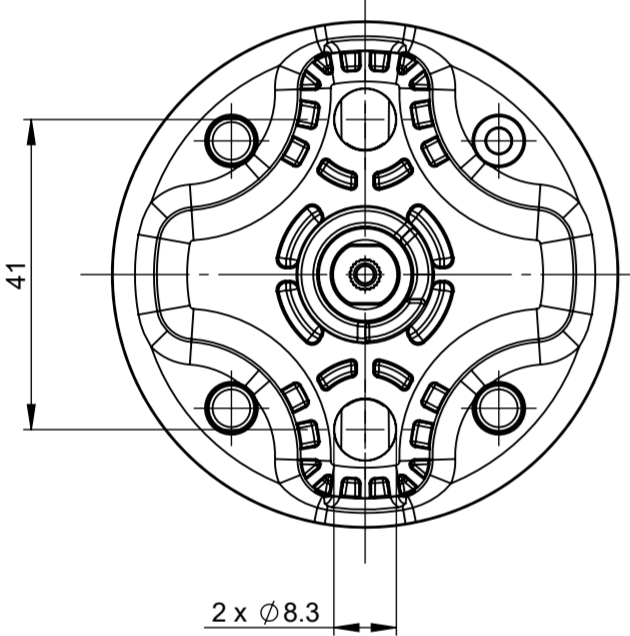
THIS DRAWING AND THE INFORMATION CONTAINED WITHIN IT ARE CONFIDENTIAL AND MAY NOT BE COPIED OR DISCLOSED WITHOUT THE WRITTEN PERMISSION OF LITTELFUSE.

REV.		DESCRIPTION	DATE	GCF / ECR	DESIGNED	APPROVED
A		Initial release	23 Nov 2023		T.Bianchin	M.Tinto

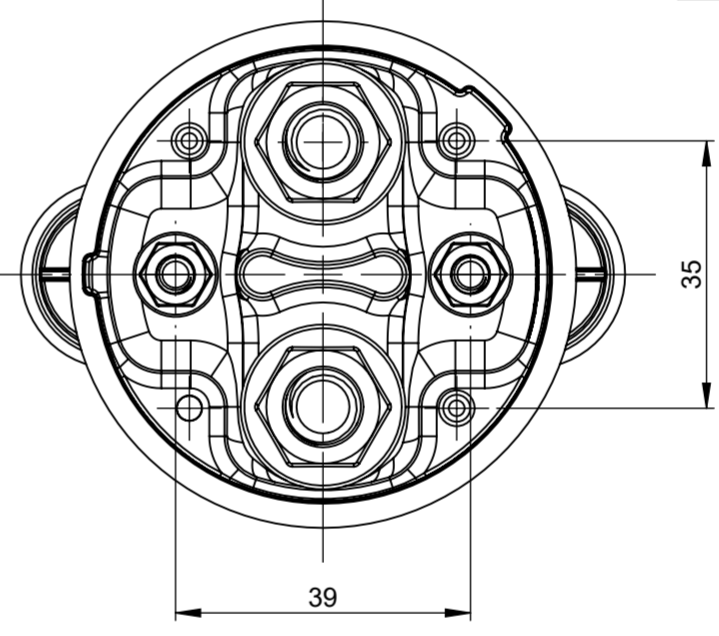
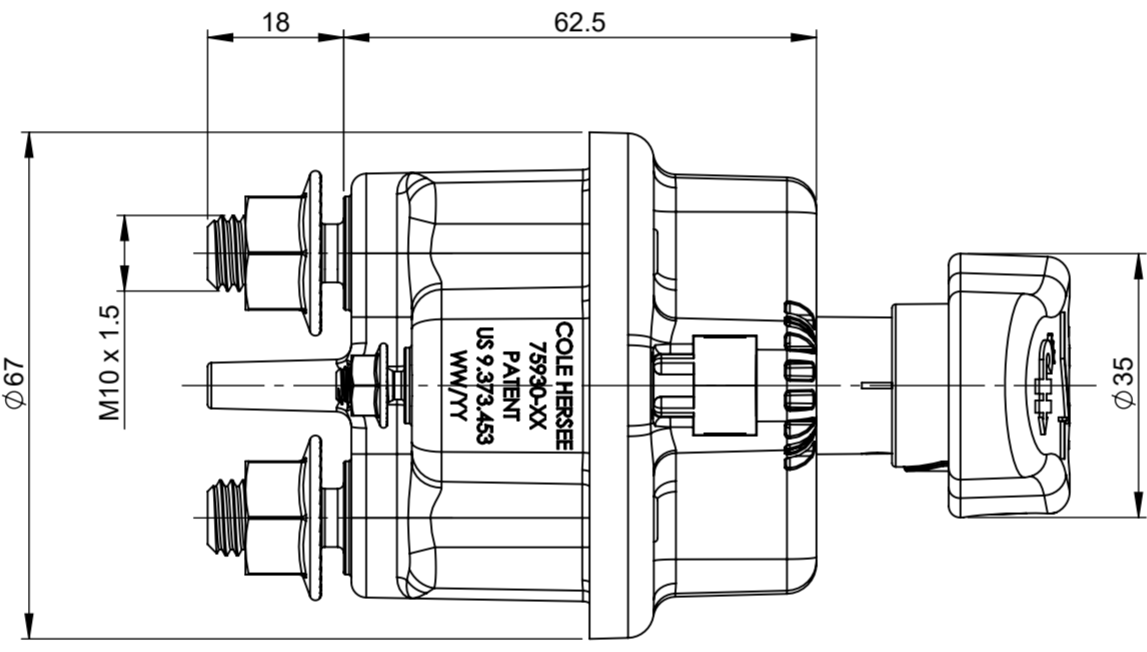


MASTER DISCONNECT SWITCH CONFIGURATION CHART			COMPLETE HANDLE LF SPARE PMS CHART		
PRODUCT NUMBER	HANDLE COLOR	PACKAGING	PRODUCT NUMBER	HANDLE COLOR	PACKAGING
75930-01-BP	RED	BLISTER	63989-A	RED	BULK
75930-02-BP	YELLOW	BLISTER	63988-A	YELLOW	BULK
75930-03-BP	BLACK	BLISTER	63990-A	BLACK	BULK
75930-01	RED	BULK			
75930-02	YELLOW	BULK			
75930-03	BLACK	BULK			

POS.	COMPONENT NAME	MATERIAL	Q.TY	NOTE
1	Complete handle	Thermoplastic reinforced PA66 class V-0, stainless steel	1	Pre-assembled
2	Screw M8	Stainless steel	2	Included in the kit Not assembled
3	Upper housing	Thermoplastic reinforced PA66 class V-0 colour black	1	
4	Nut M8 hex	Stainless steel	2	Included in the kit Not assembled
5	Backplate	Thermoplastic reinforced PPA class V-0 colour black	1	
6	Nut M5 hex flange	Stainless steel	2	Pre-assembled
7	Stud M5	Silver plated brass	2	
8	Nut M10 hex flange	Stainless steel	2	Pre-assembled
9	Stud M10	Silver plated copper	2	



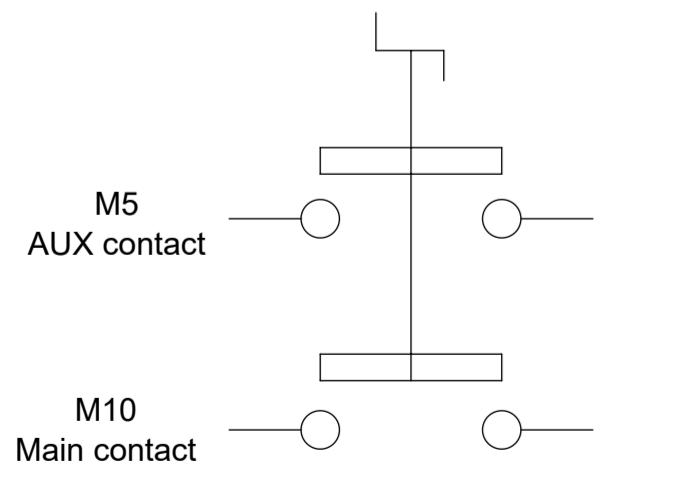
STATE OF SUPPLY: OFF POSITION



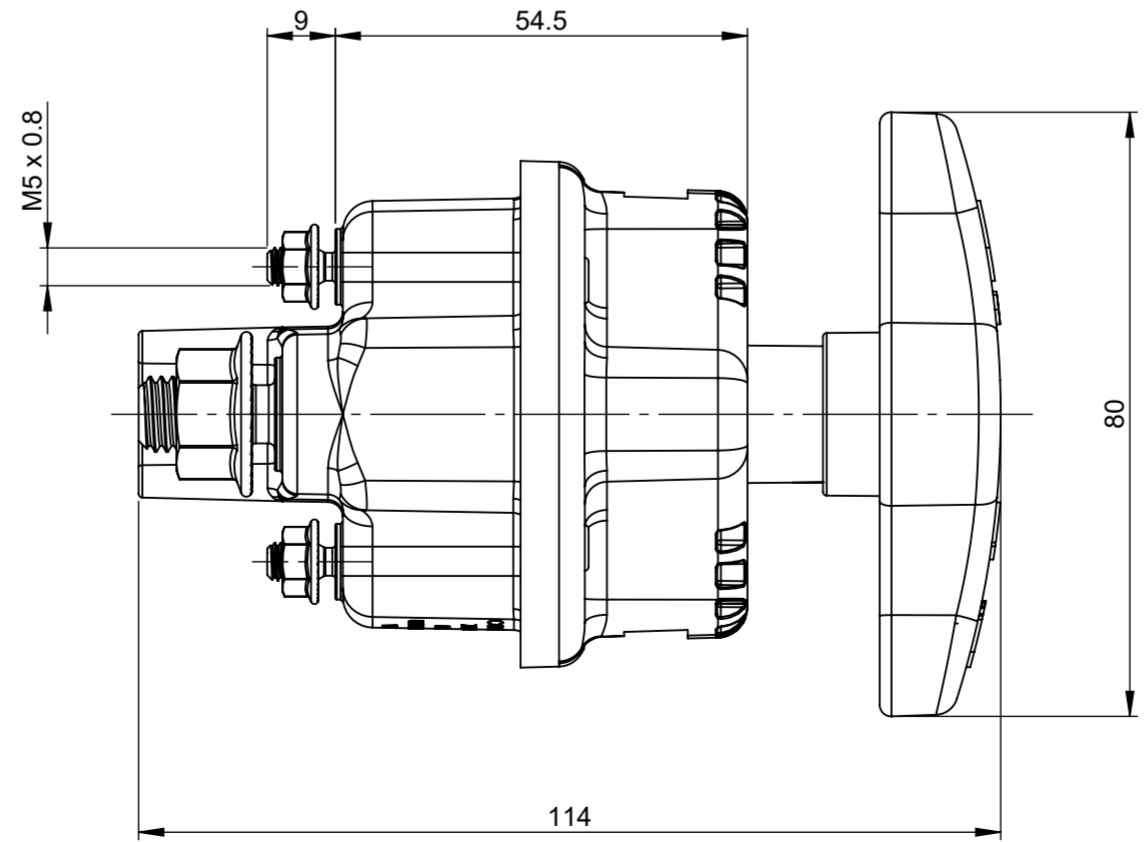
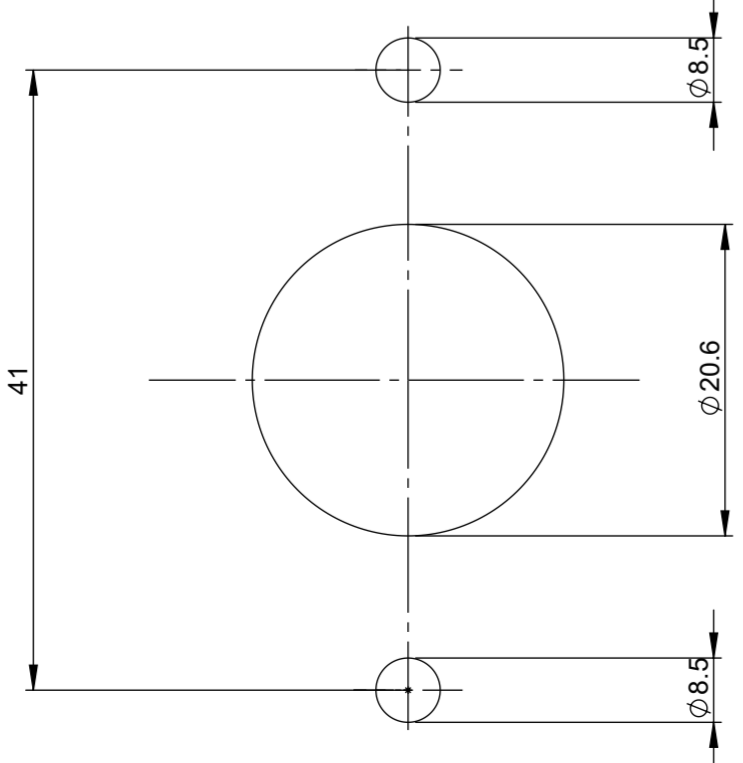
CHARACTERISTICS
 OPERATING TEMPERATURE: -40°C TO +85°C.
 MAXIMUM CONTINUOUS CURRENT ON MAIN CONTACT:
 - 200A WITH 90MM² CABLES;
 - 300A WITH 120MM² CABLES.
 MAXIMUM PEAK CURRENT ON MAIN CONTACT:
 - 500A FOR 60SEC AND 1000A FOR 15SEC.
 ANGLE AT WHICH IT DOES SWITCH ON: >25°.
 CONTACTS OFFSET: MAIN CONTACT TURNS ON BEFORE AUX CONTACT; MAIN CONTACT TURNS OFF AFTER AUX CONTACT.
 CONTINUOUS WORKING CURRENT ON AUX CONTACT: 10A.
 MAXIMUM TEMPORARY CURRENT ON AUX CONTACT: 20A.
 VOLTAGE RANGE: 9V TO 32V.
 NUMBER OF MECHANICAL AND ELECTRICAL OPERATIONS: 5000.

INSTRUCTIONS
 TORQUE FOR M5 CONNECTION: 2±0,5NM.
 TORQUE FOR M10 CONNECTION: 18±2NM.
 TORQUE FOR M8 MOUNTING SCREW: 14±2NM.
 THE HANDLE SCREW TO BE SCREWED DOWN TO THE END WITH A TORQUE OF 0,6±0,2NM.
 WALL THICKNESS: 0,8MM TO 8,5MM.

ELECTRICAL DIAGRAM



FIXING HOLES



DIMENSIONS AND TOLERANCES IN MILLIMETERS, DEFINED ACCORDING TO ISO 1101-2017.						
linear dimensions						
0,5	>3	>6	>30	>120	>400	>1000
3	6	120	120	400	1000	2000
±0,1	±0,1	±0,2	±0,3	±0,5	±0,8	±1,2
angle (for range of lengths)						
up to	>10	>50	>120	>400	>1200	>2000
10°	50°	120°	400°	1200°	2000°	
±1°	±0°'30"	±0°'20"	±0°'10"			
●	FIT/ FUNCTION CRITICAL CHARACTERISTICS SYMBOL					
<S>	SAFETY/ COMPLIANCE CRITICAL CHARACTERISTICS SYMBOL					
CPK	DENOTES CPK DIMENSIONS MINIMUM CPK VALUE					
ST	DENOTES A CHARACTERISTIC THAT PROVIDES AN INDICATION OF PROCESS PERFORMANCE.PROCEDURE FOR MEASUREMENT AND TRACKING TO BE DEFINED IN LITTELFUSE INSPECTION INSTRUCTIONS					
CP	DENOTES CP DIMENSIONS. MINIMUM CP VALUE MUST BE WITHIN THE DIMENSIONAL LIMITATIONS SHOWN ON DRAWING AND INITIALLY LOCATED TO ALLOW FOR MAXIMUM TOOL LIFE					
NAME	DATE					
DRAWN	T. Bianchin	23 Nov 2023				
CHECKED	-	-				
FORM NO. CVP-PE40-0013 REV A		TITLE				
FIRST ANGLE PROJECTION		MASTER DISCONNECT SWITCH				
SCALE	DWG. NO.	OUTLINE	REV.			
A2	OL-75930MKT	CHART	A			
DO NOT SCALE DRAWING		SCALE 1:1	SHEET 1 OF 1			