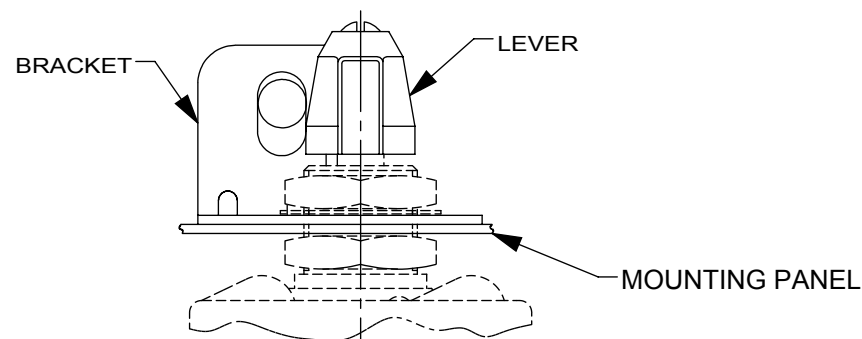
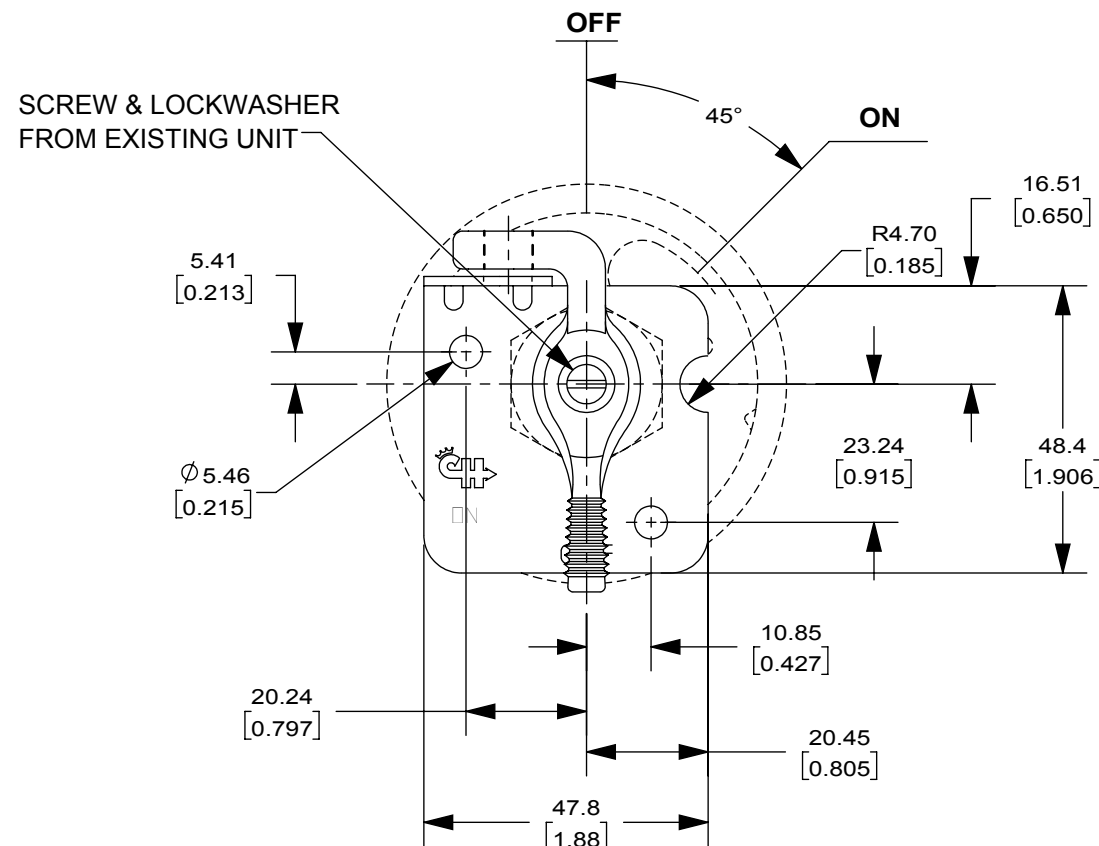


THIS DRAWING AND THE INFORMATION CONTAINED WITHIN IT ARE CONFIDENTIAL AND MAY NOT BE COPIED OR DISCLOSED WITHOUT THE WRITTEN PERMISSION OF LITTELFUSE.

REVISIONS				
ZONE	REV.	DESCRIPTION	DATE	APPROVED
	A	GCF #519740 INITIAL RELEASE	04/09/2019	J. LI



**NOTES**

- BRACKET AND LEVER POWDER COATED, COLOR REFER TO CHART
- ALL DIMENSIONS ARE REFERENCE ONLY
- LOCK OUT BRACKET, LEVER, TWO MOUNTING SCREWS & INSTRUCTION SHEET SHIPPED IN PLASTIC BAG
- FOR USE WITH 0.312 [7.93] DIAMETER LOCK SHANK

P/N	COLOR	REMARK
24505-02	RED	
24505-03	YELLOW	
24505-04	CHROME	

INTERPRET DRAWING TO ANSI/ASME Y14.5-1994.	
●	FIT/ FUNCTION CRITICAL CHARACTERISTICS SYMBOL
<S>	SAFETY/ COMPLIANCE CRITICAL CHARACTERISTICS SYMBOL
CPK	DENOTES CPK DIMENSIONS MINIMUM CPK VALUE
ST	DENOTES A CHARACTERISTIC THAT PROVIDES AN INDICATION OF PROCESS PERFORMANCE. PROCEDURE FOR MEASUREMENT AND TRACKING TO BE DEFINED IN LITTELFUSE INSPECTION INSTRUCTIONS
CP	DENOTES CP DIMENSIONS, -MINIMUM CP VALUE MUST BE WITHIN THE DIMENSIONAL LIMITATIONS SHOWN ON DRAWING AND INITIALLY LOCATED TO ALLOW FOR MAXIMUM TOOL LIFE

DIMENSION: MM TOLERANCES UNLESS OTHERWISE SPECIFIED  
 ONE PLACE DECIMAL ± 0.5 THREE PLACES DECIMAL ± 0.100  
 TWO PLACES DECIMAL ± 0.20 ANGULAR ± 2°

NAME	DATE	<p><b>Littelfuse</b> Expertise Applied   Answers Delivered</p>
DRAWN	J. LI 06/20/2018	
CHECKED	-	<p><b>TITLE</b> LOCK OUT KIT FOR MASTER DISCONNECT SW</p>
FORM NO:	CVP-PE40-0004 REV A	<p>SIZE <b>B</b> DWG. NO. 24505-02, CHART REV. <b>A</b></p>
THIRD ANGLE PROJECTION		
DO NOT SCALE DRAWING	SCALE 1:1	SHEET 1 OF 3