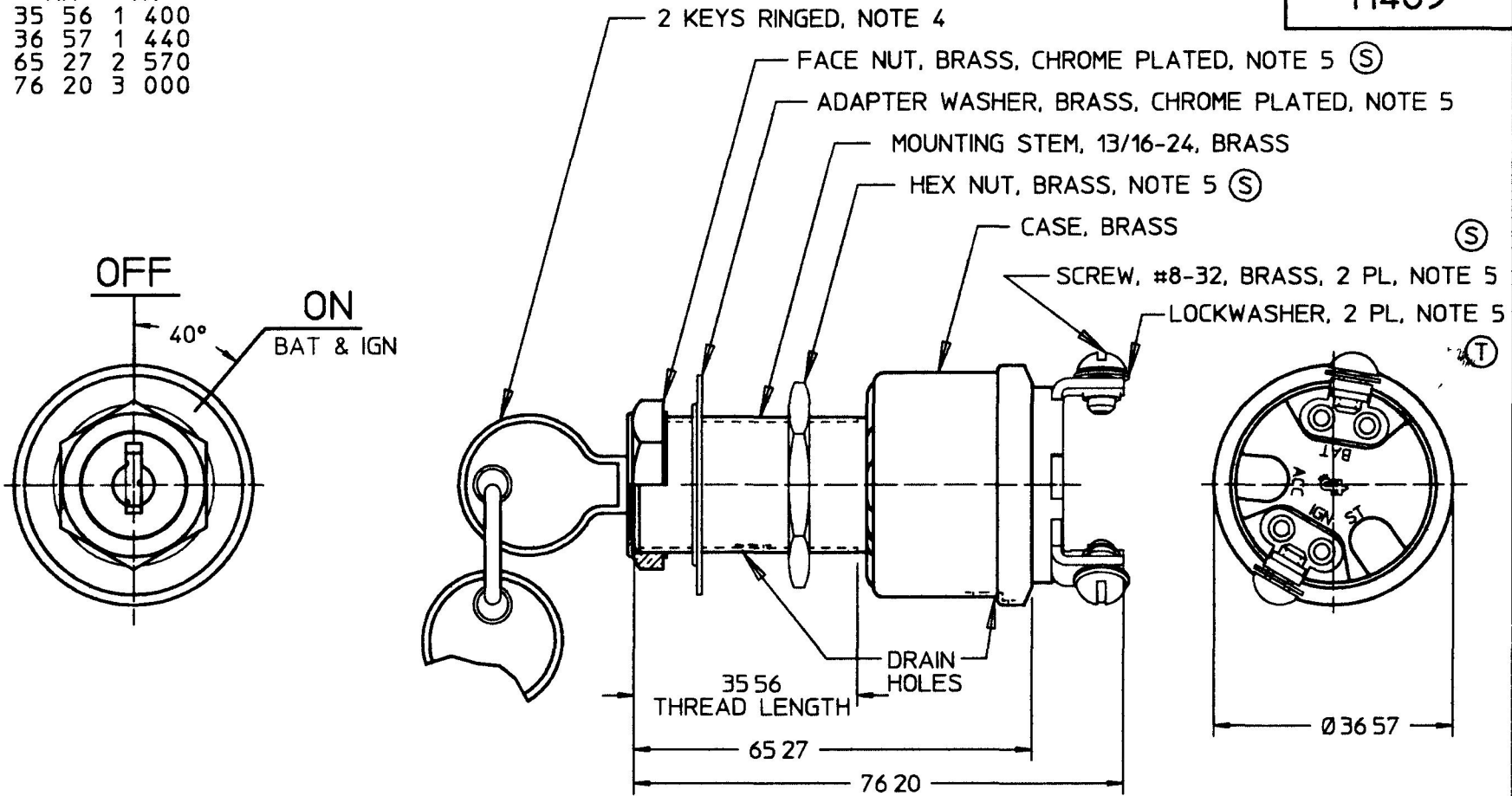


M489

MM	IN
35 56	1 400
36 57	1 440
65 27	2 570
76 20	3 000



- NOTES
- 1 ALL DIMENSIONS ARE REFERENCE ONLY
 - 2 RATING: 12V DC, 10 AMPS PER CIRCUIT, 15 AMPS MAX
 - 3 APPLICABLE SAE STANDARD OR RECOMMENDED PRACTICE SAE J259
 - 4 LOCK & KEYS SUPPLIED IN RANDOM KEY CODES
CH-501, CH-502, CH-503, CH-504, CH-505
CH-506, CH-510, CH-512, CH-516, CH-523
 - 5 PARTS MAYBE ASSEMBLED OR SUPPLIED IN A PLASTIC BAG

METRIC

DO NOT SCALE

LET	WAS	DATE	BY	LET	WAS	DATE	BY	MATERIAL	DRAWN	CHK	APVD	SCALE	DATE DRAWN
									LM	6		11	1/20/55
				T	ECN #98119 ADDED L'WSHR	02/11/98	JMP	FINISH	Cole Hersee Co. 20 OLD COLONY AVENUE, BOSTON, MA, U.S.A. 02127				DATE BLUEPRINTED
				S	ECN #26813	7/16/97	AJS	TOLERANCES	SW, ROT, IGN				M489
				R	PUT ON CAD	7/26/96	DPS	DECIMAL ± ANGLE ±					