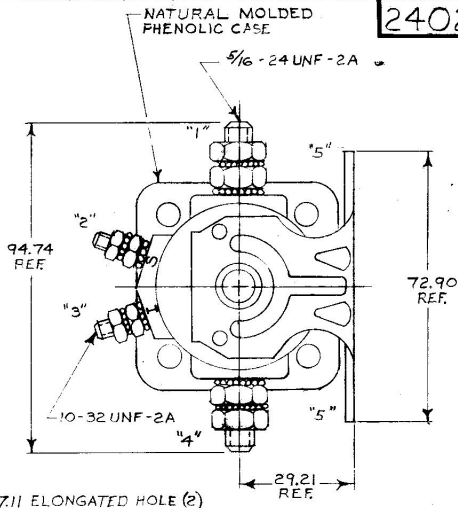
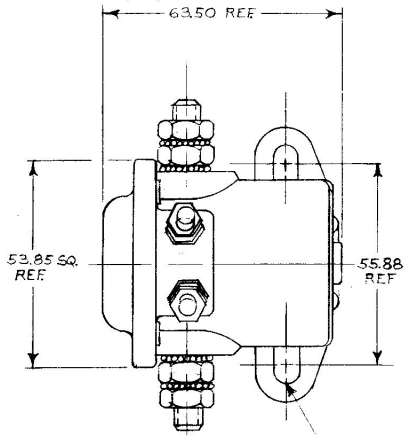
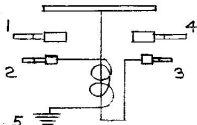


24021

Confidential Property of Cole Hersee

MM IN.
 7.11 .28
 12.70 .50
 29.21 1.15
 53.85 2.12
 55.88 2.20
 63.50 2.50
 72.90 2.87
 94.74 3.73

CIRCUIT
DIAGRAM

12.70 x 7.11 ELONGATED HOLE (2)

METRIC

NOTES:

1. ALL STEEL PARTS PLATED.
2. POSITIONS *1, 3 & 4 ARE IN CONTACT SIMULTANEOUSLY WHEN CIRCUIT IS CLOSED.
3. 12 VOLTS GROUND TO BRACKET, INTERMITTENT DUTY.

④ H. COIL RESISTANCE: 3.8 OHM ± 5%

DO NOT SCALE

LET.	WAS	DATE	BY	LET.	WAS	DATE	BY	MATERIAL	DRAWN	CHECKED	APPROVD.	SCALE	DATE DRAWN
									GH			1:1	5-8-56
								FINISH					DATE BLUEPRINT
					H	ADD NOTE 04250	8-4-04	SA					
					G	REDRAWN	8-14-81	AK					
								TOLERANCES DECIMAL ± .25 METRIC ± .25					
									CH Cole Hersee Co. <small>1000 COLONY AVENUE, SOUTH BRIDGE, MA, U.S.A. 01107</small>				
									SOLENOID				24021