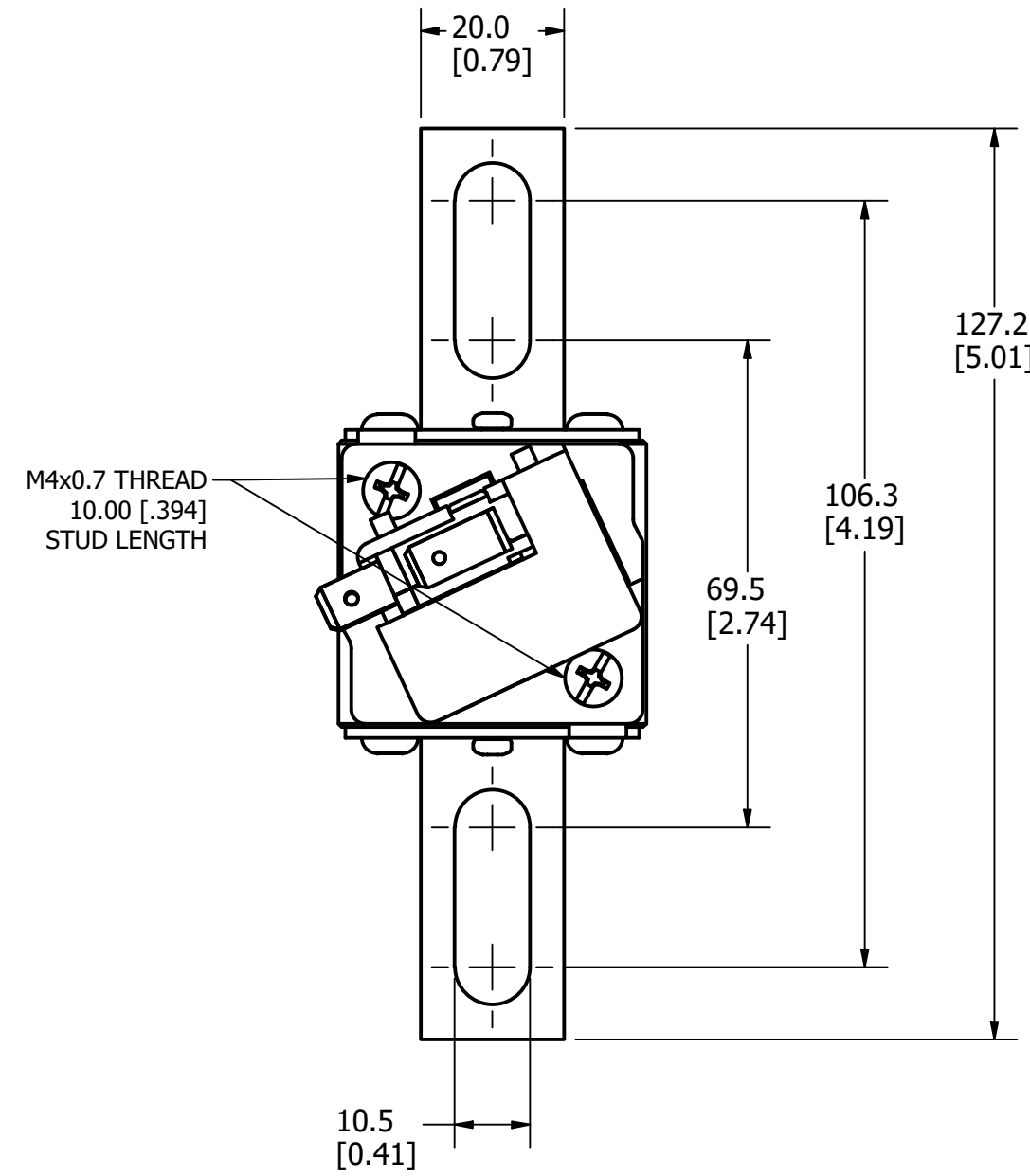


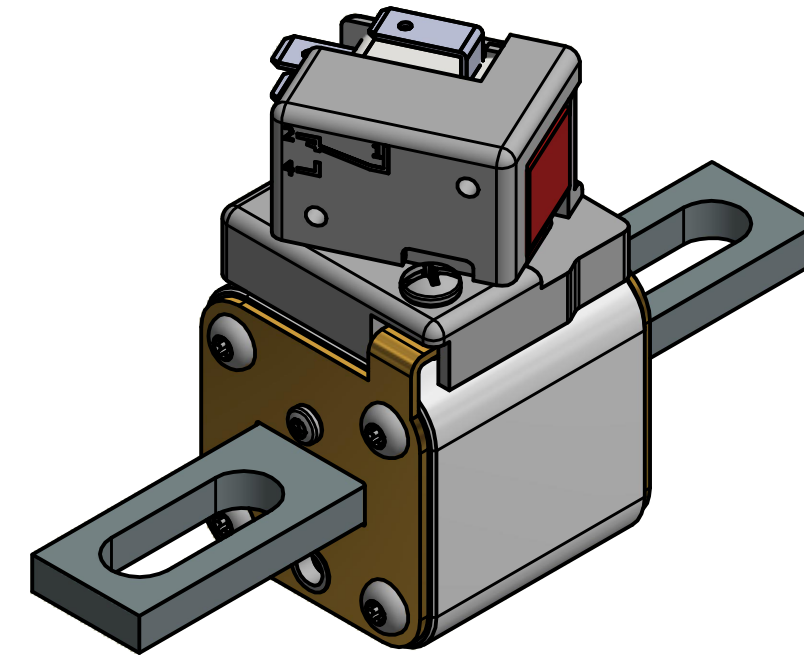
MOUNTING SPECS:

RECOMMENDED FASTENER: M10 OR 3/8"
TIGHTENING TORQUE (REFERENCE ONLY): 26Nm

REVISION		
REV	DATE	DESCRIPTION
A	3/4/20	522052GCP - RELEASE MRY
B	5/10/22	525179ECP/D - CHANGE HEIGHT DIMENSION, ADD TOLERANCES MRY
C	1/10/24	526835ECP/D - ADDED VIEW WITHOUT MICRO-SWITCH JTM

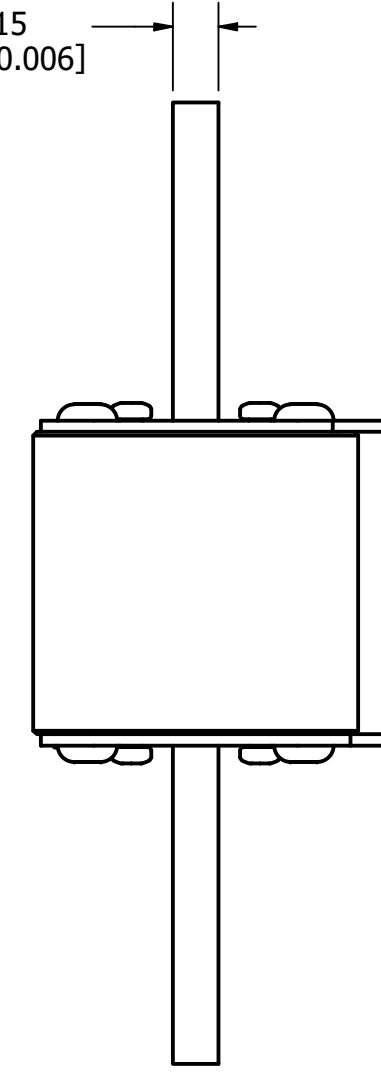


FUSE WITH MICRO-SWITCH

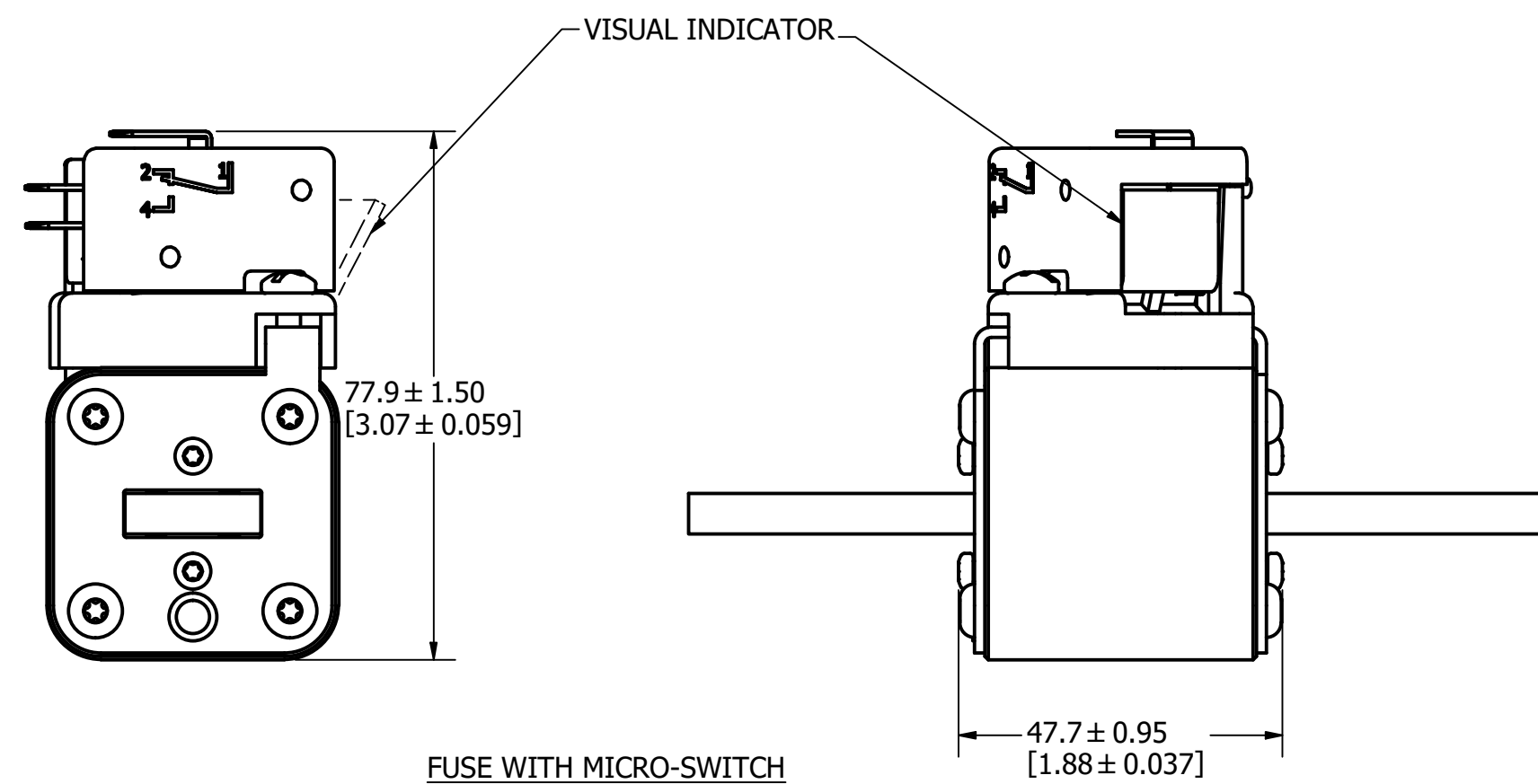
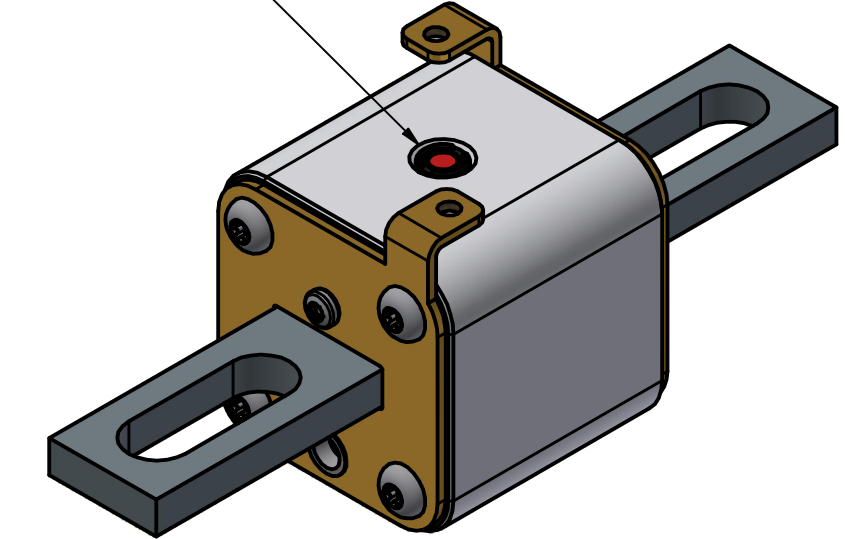


6.0 ± 0.15
[0.24 ± 0.006]

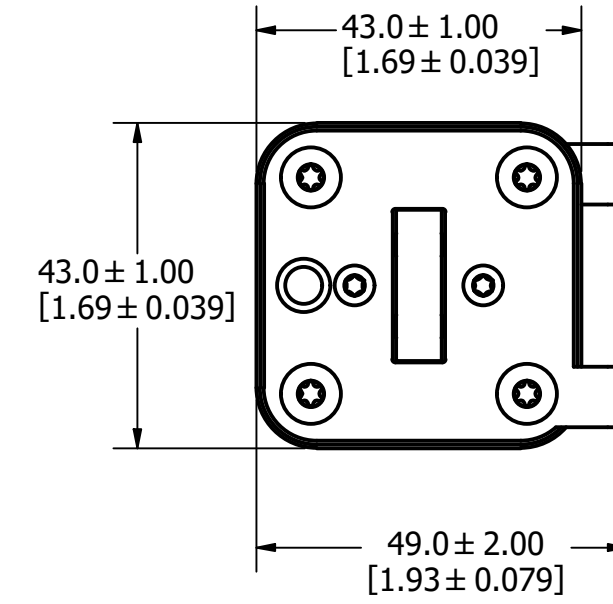
FUSE



INTERNAL INDICATOR



FUSE WITH MICRO-SWITCH



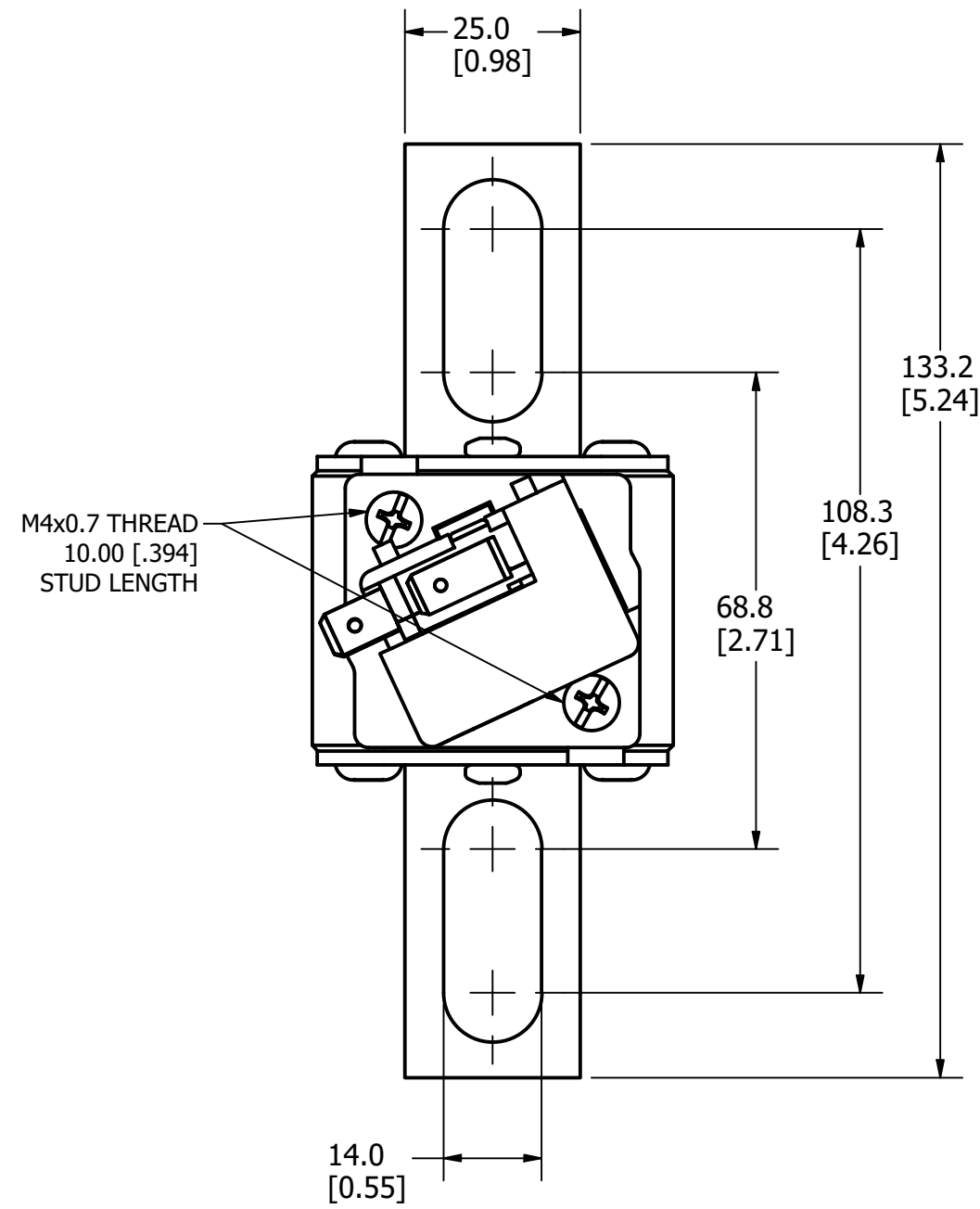
FOR REFERENCE ONLY

<S>	CRITICAL CHARACTERISTIC FOR PART SAFETY/COMPLIANCE		
●	DENOTES CRITICAL CHARACTERISTICS.		
CPK	DENOTES CPK DIMENSIONS, -MINIMUM CPK VALUE		
(ST)	DENOTES A CHARACTERISTIC THAT PROVIDES AN INDICATION OF PROCESS PERFORMANCE. PROCEDURE FOR MEASUREMENT AND TRACKING TO BE DEFINED IN LITTELFUSE INSPECTION INSTRUCTIONS.		
CP	DENOTES CP DIMENSIONS, -MINIMUM CP VALUE MUST BE WITHIN THE DIMENSIONAL LIMITATIONS SHOWN ON DRAWING AND INITIALLY LOCATED TO ALLOW FOR MAXIMUM TOOL LIFE.		
MATL SPEC		FINISH	
DRW myork	DATE 1/31/2024	SCALE NTS	FINISH GOOD WT GRAMS/PIECE
UNLESS OTHERWISE SPECIFIED, DIMENSIONS ARE IN MILLIMETERS, DIMENSIONS IN BRACKETS [] ARE INCHES DIMENSIONING AND DO NOT INCLUDE PLATING. TOLERANCING TO BE INTERPRETED IN ACCORDANCE WITH ANSI Y14.5M-1994			
3RD ANGLE PROJECTION			
TITLE PSR SIZE 30 NORTH AMERICAN SHORT (US) FUSE OUTLINE			
Littelfuse® CHICAGO, ILLINOIS 60631		REVISION C	DRWG NO. OL-PSR030US0000 SHEET 1 OF 1

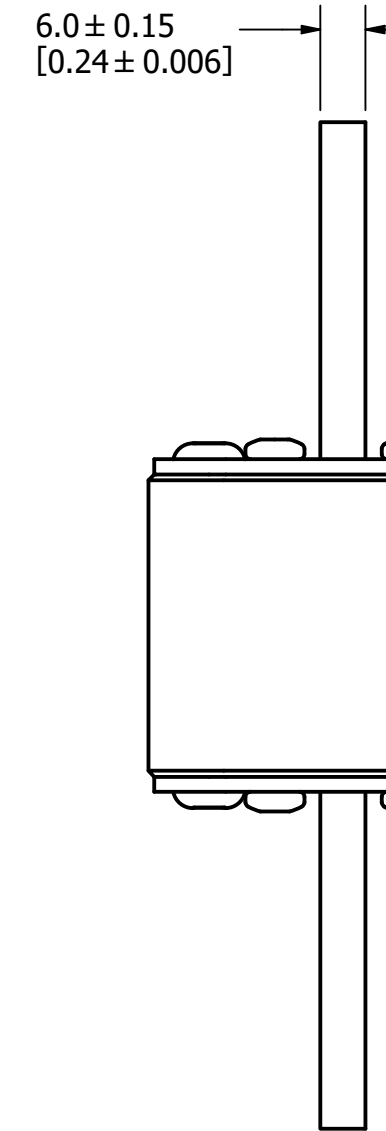
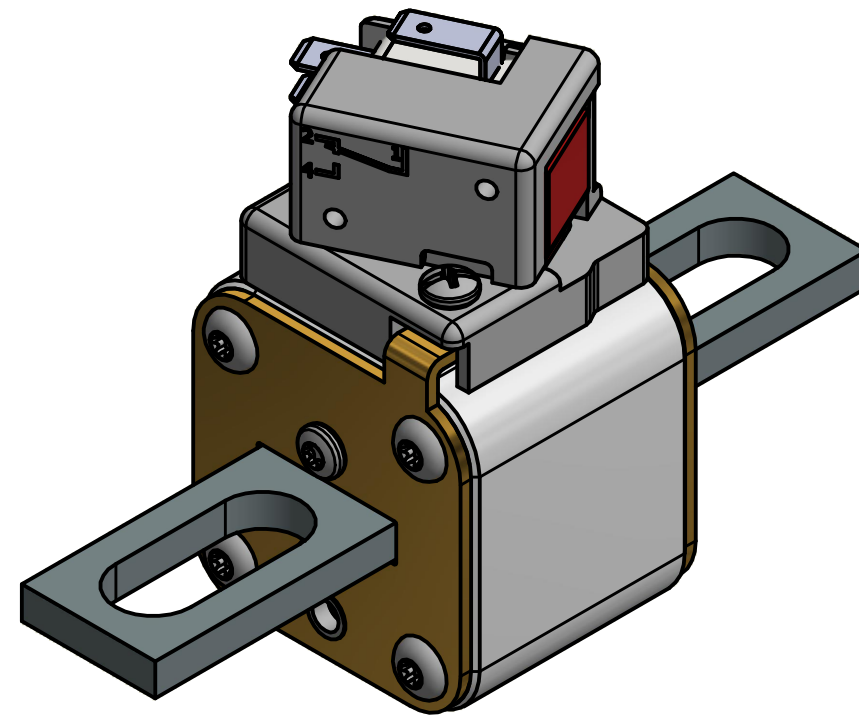
MOUNTING SPECS:

RECOMMENDED FASTENER: M12 OR 1/2"
TIGHTENING TORQUE (REFERENCE ONLY): 64Nm

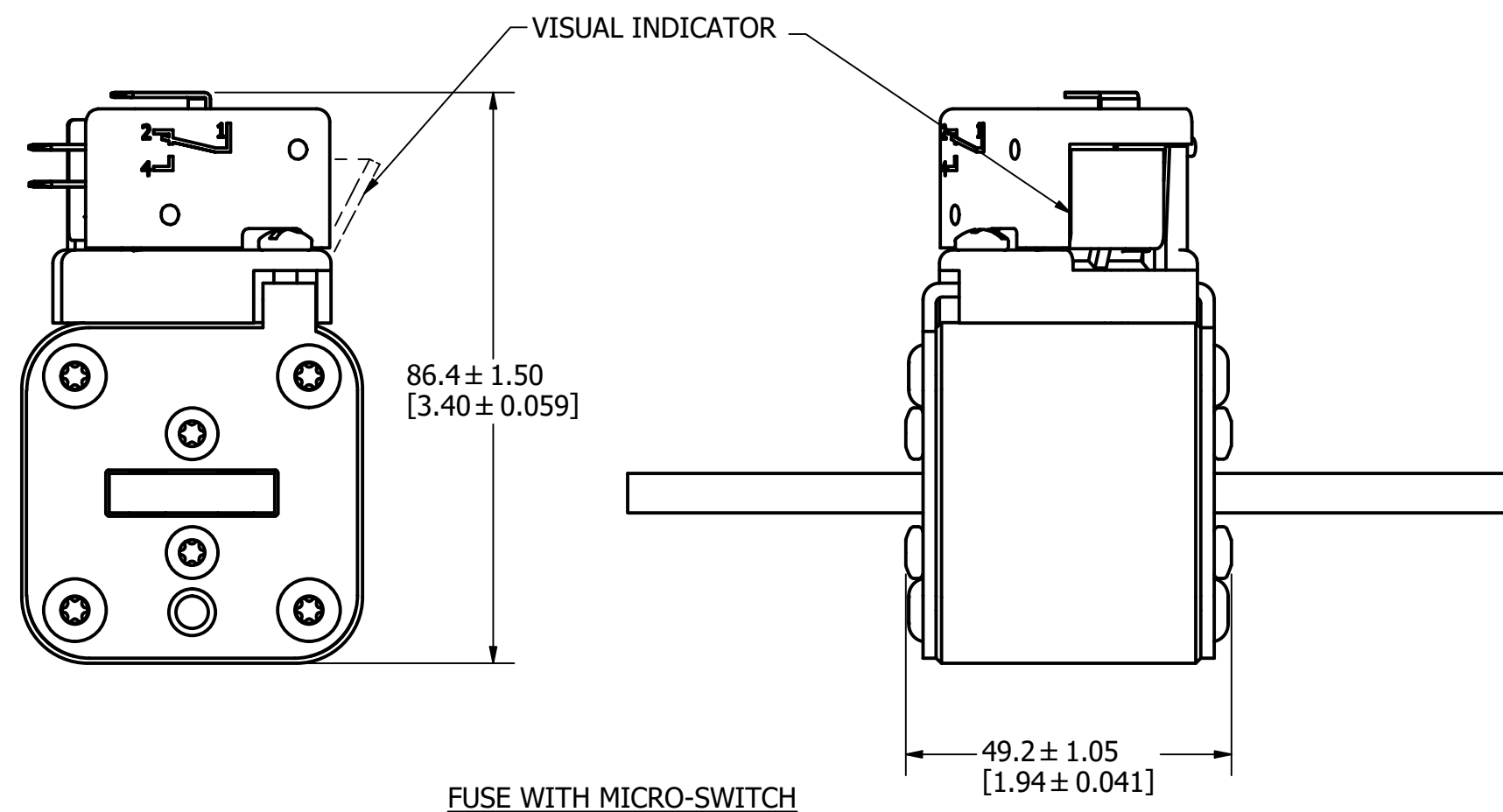
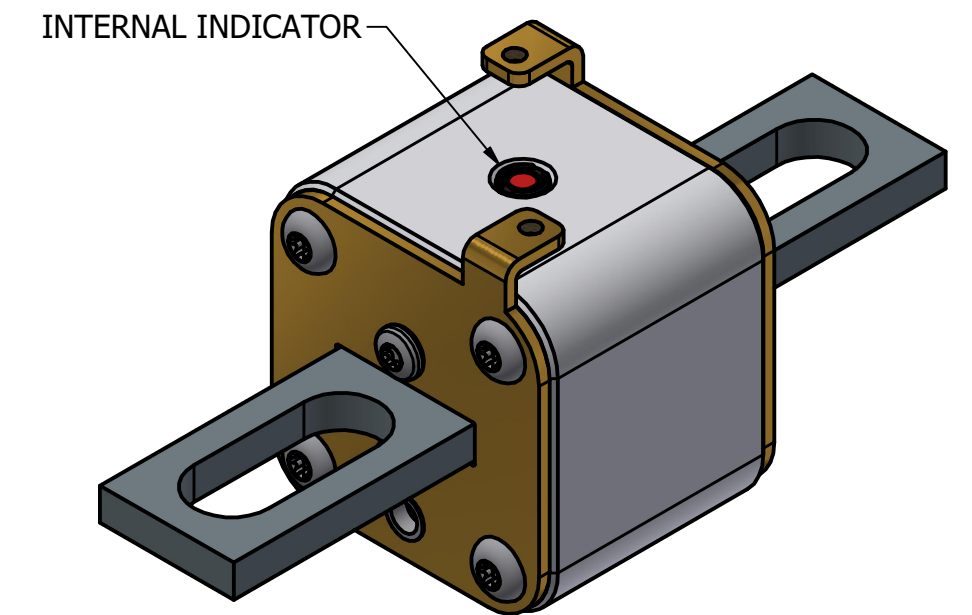
REVISION		
REV	DATE	DESCRIPTION
A	3/4/20	522052GCP - RELEASE MRY
B	5/10/22	525179ECP/D - CHANGE HEIGHT DIMENSION, ADD TOLERANCES MRY
C	1/12/24	526835ECP/D - ADDED VIEW WITHOUT MICRO-SWITCH JTM



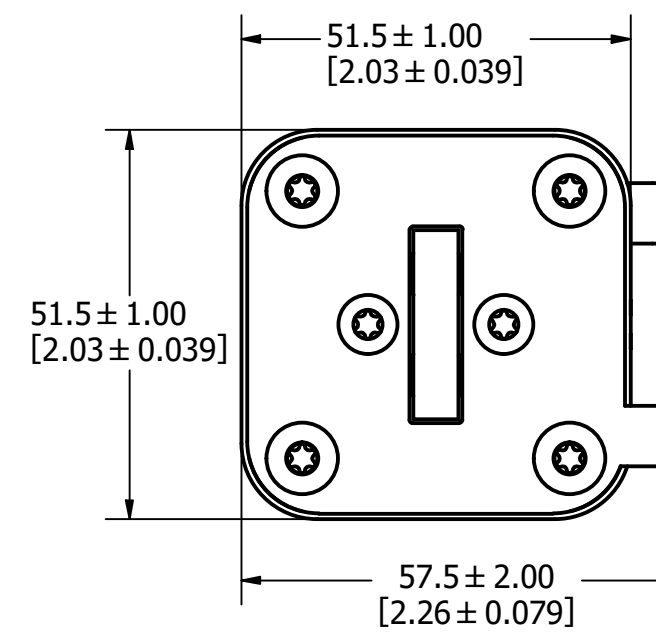
FUSE WITH MICRO-SWITCH



FUSE



FUSE WITH MICRO-SWITCH



FOR REFERENCE ONLY

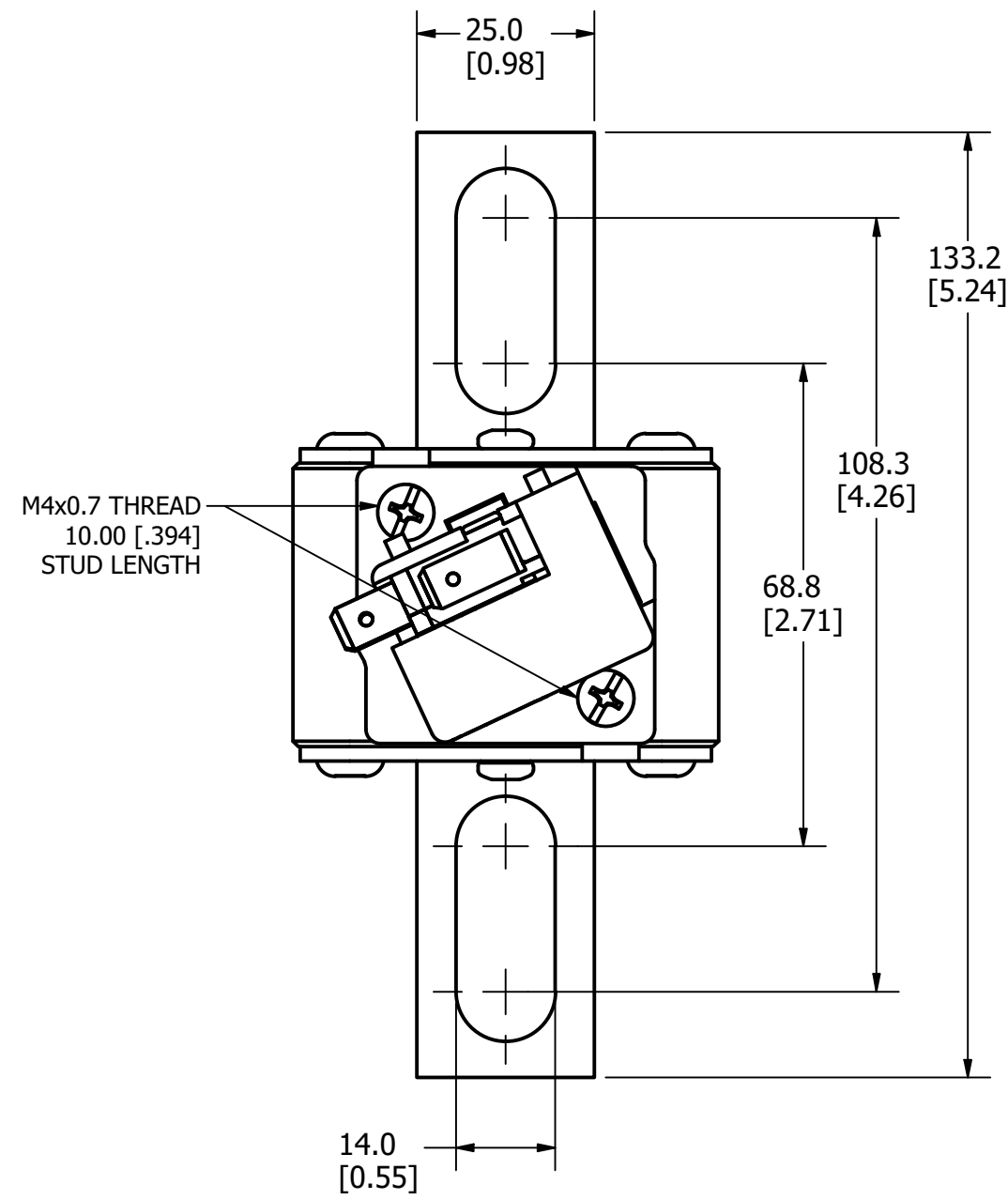
<S>	CRITICAL CHARACTERISTIC FOR PART SAFETY/COMPLIANCE		
●	DENOTES CRITICAL CHARACTERISTICS.		
CPK	DENOTES CPK DIMENSIONS, -MINIMUM CPK VALUE		
(ST)	DENOTES A CHARACTERISTIC THAT PROVIDES AN INDICATION OF PROCESS PERFORMANCE. PROCEDURE FOR MEASUREMENT AND TRACKING TO BE DEFINED IN LITTELFUSE INSPECTION INSTRUCTIONS.		
CP	DENOTES CP DIMENSIONS, -MINIMUM CP VALUE MUST BE WITHIN THE DIMENSIONAL LIMITATIONS SHOWN ON DRAWING AND INITIALLY LOCATED TO ALLOW FOR MAXIMUM TOOL LIFE.		
MATL SPEC	FINISH		
DRW myork	DATE 1/12/2024	SCALE NTS	FINISH GOOD WT GRAMS/PIECE
UNLESS OTHERWISE SPECIFIED, DIMENSIONS ARE IN MILLIMETERS, DIMENSIONS IN BRACKETS [] ARE INCHES DIMENSIONING AND DO NOT INCLUDE PLATING. TOLERANCING TO BE INTERPRETED IN ACCORDANCE WITH ANSI Y14.5M-1994			
3RD ANGLE PROJECTION			

TITLE PSR SIZE 31 NORTH AMERICAN SHORT (US) FUSE OUTLINE			
	REVISION C	DRWG NO. OL-PSR031US0000	SHEET 1 OF 1

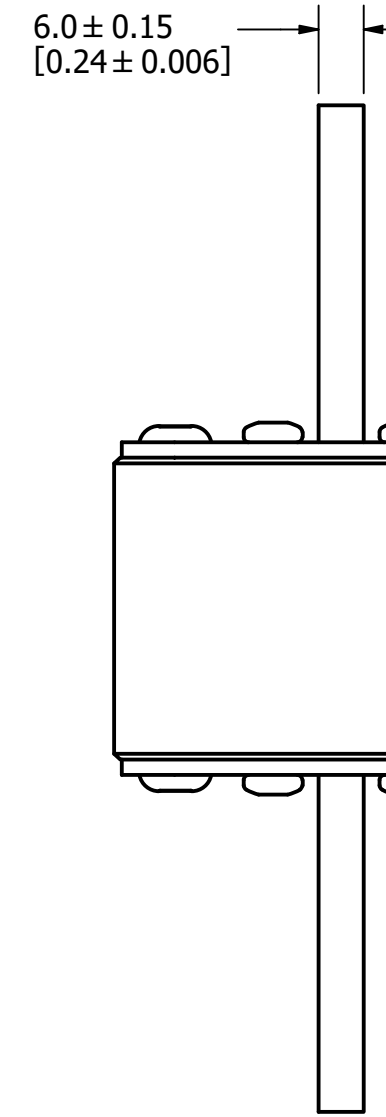
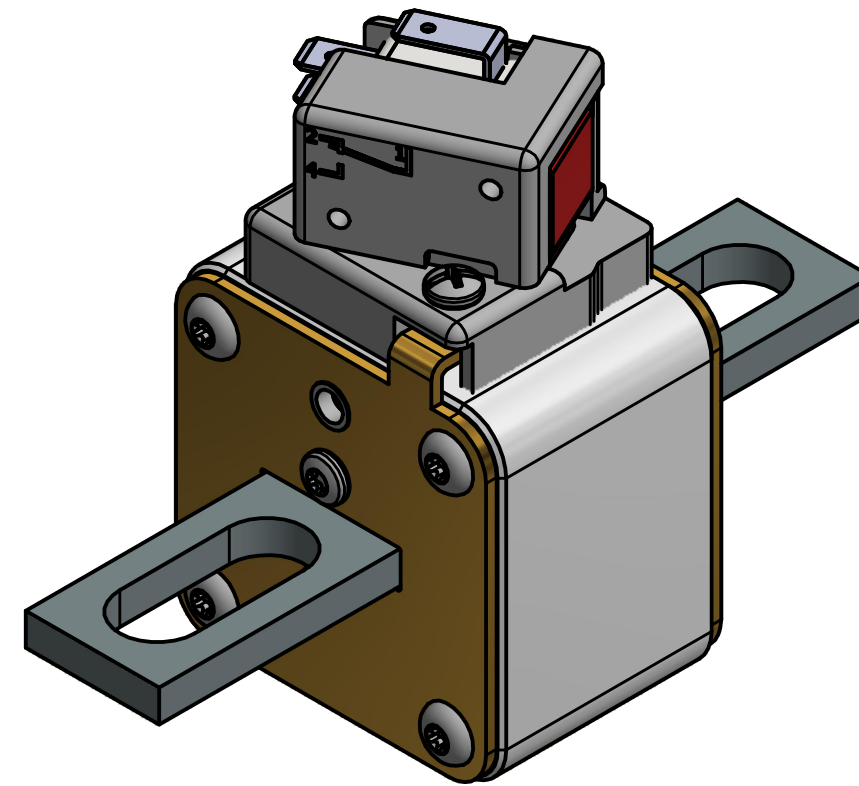
MOUNTING SPECS:

RECOMMENDED FASTENER: M12 OR 1/2"
TIGHTENING TORQUE (REFERENCE ONLY): 64Nm

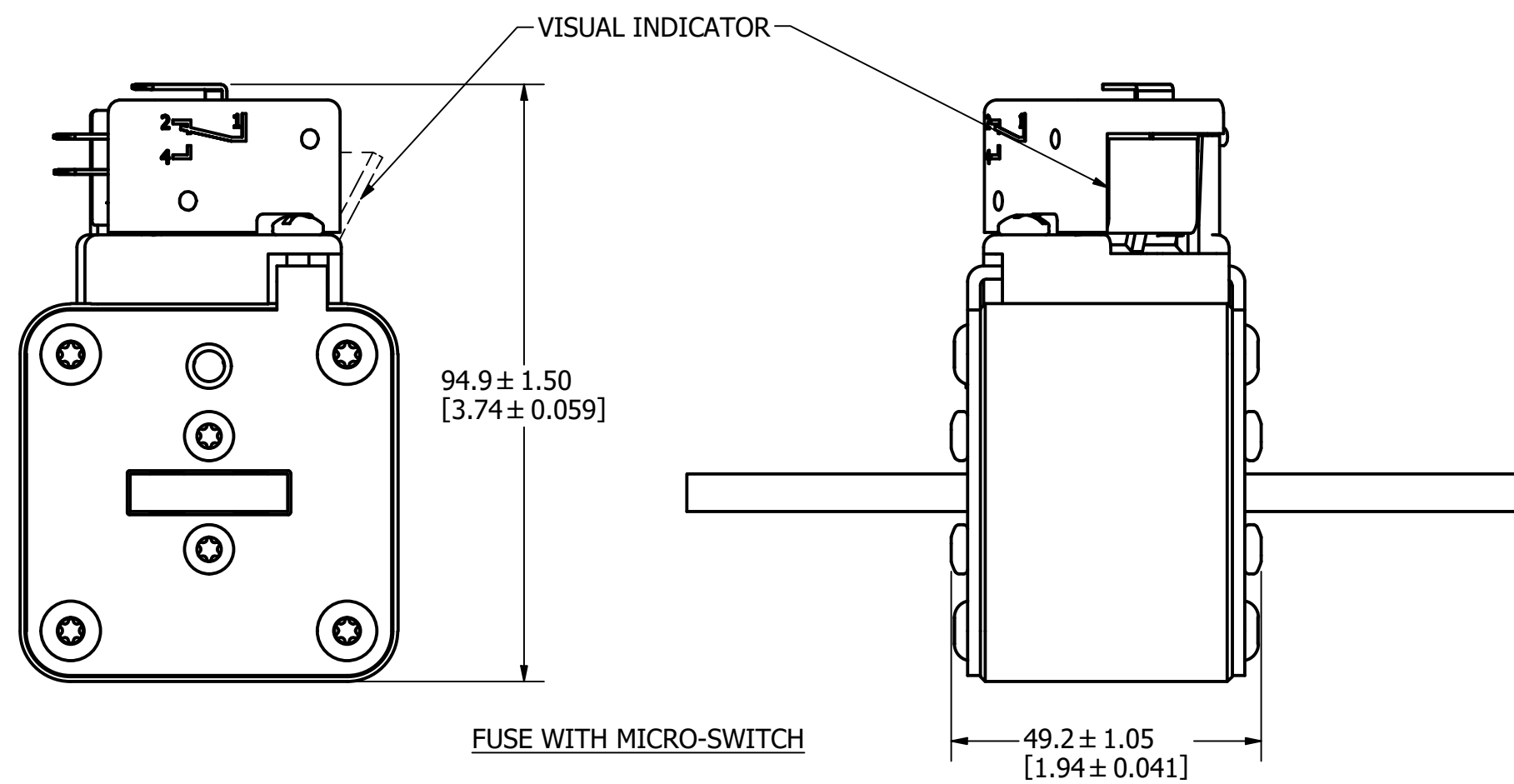
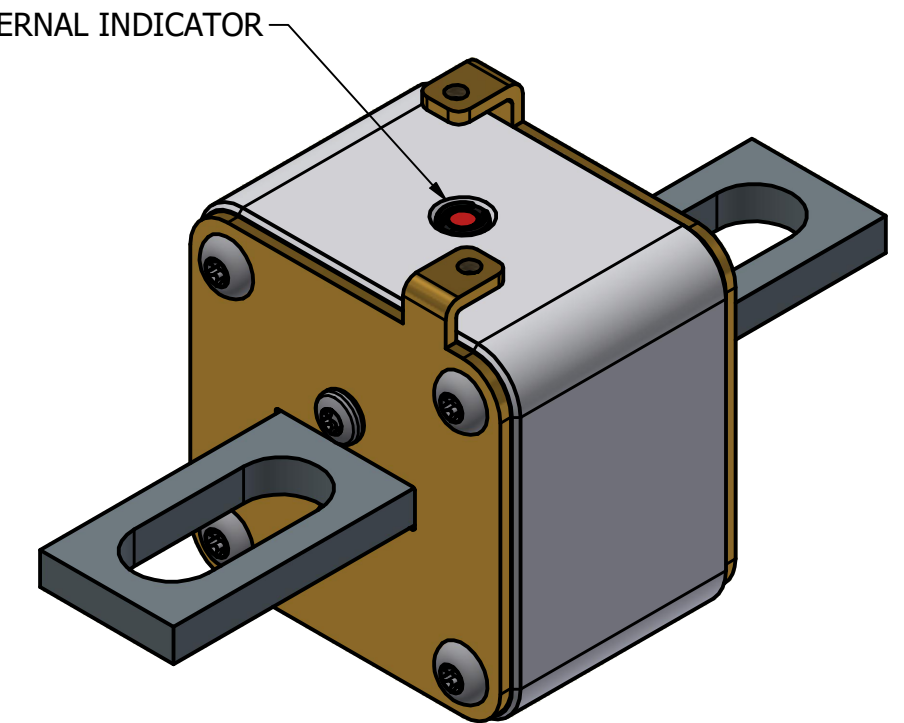
REVISION		DESCRIPTION
REV	DATE	
A	3/4/20	522052GCP - RELEASE MRY
B	5/10/22	525179ECP/D - CHANGE HEIGHT DIMENSION, ADD TOLERANCES MRY
C	1/16/24	526835ECP/D - ADDED VIEW WITHOUT MICRO-SWITCH JTM



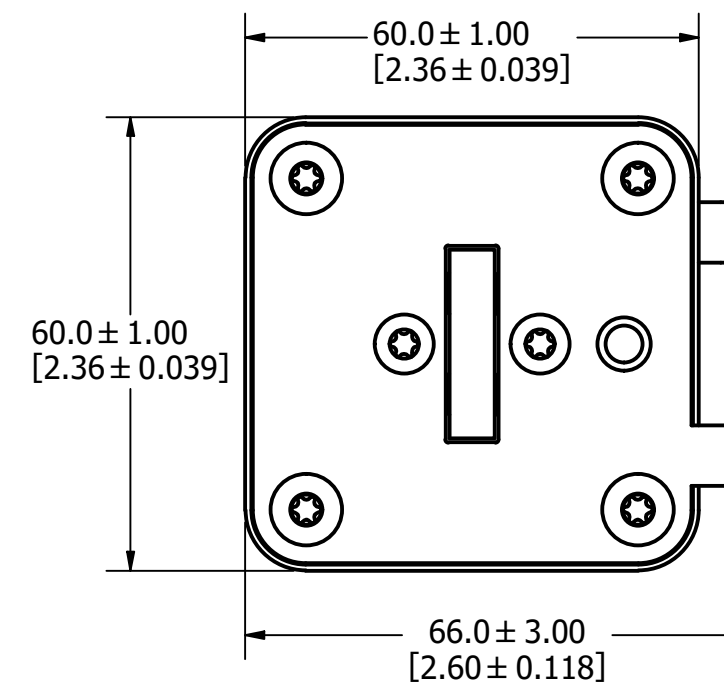
FUSE WITH MICRO-SWITCH



FUSE



FUSE WITH MICRO-SWITCH



FOR REFERENCE ONLY

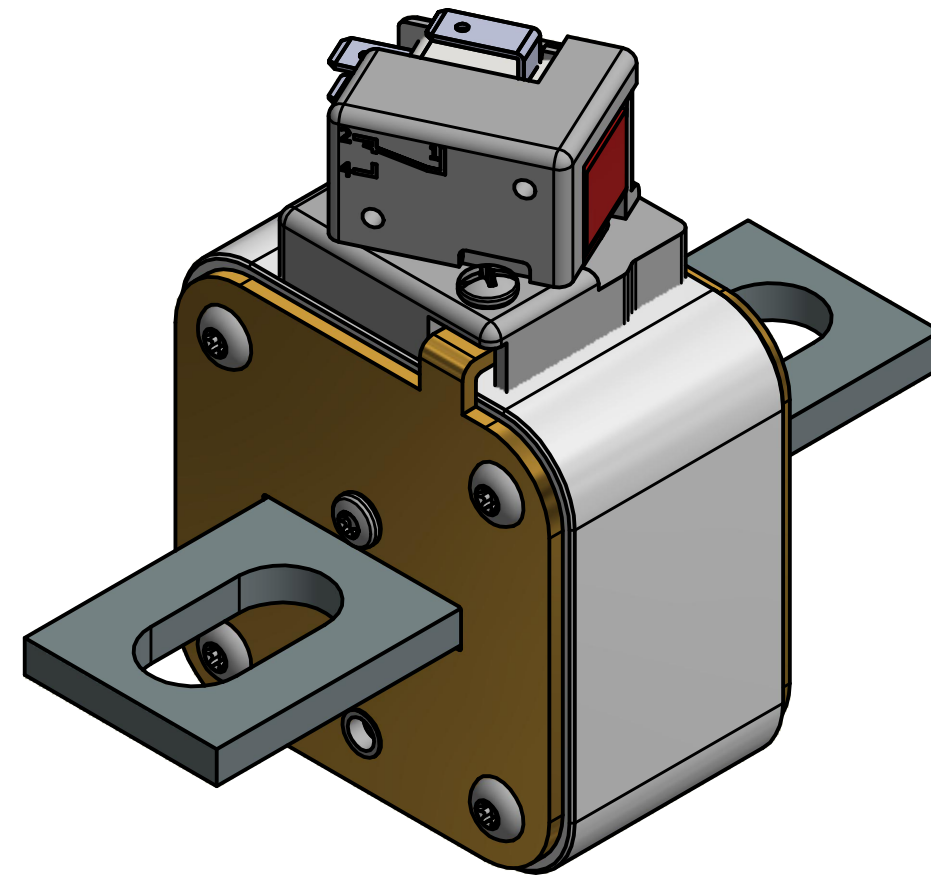
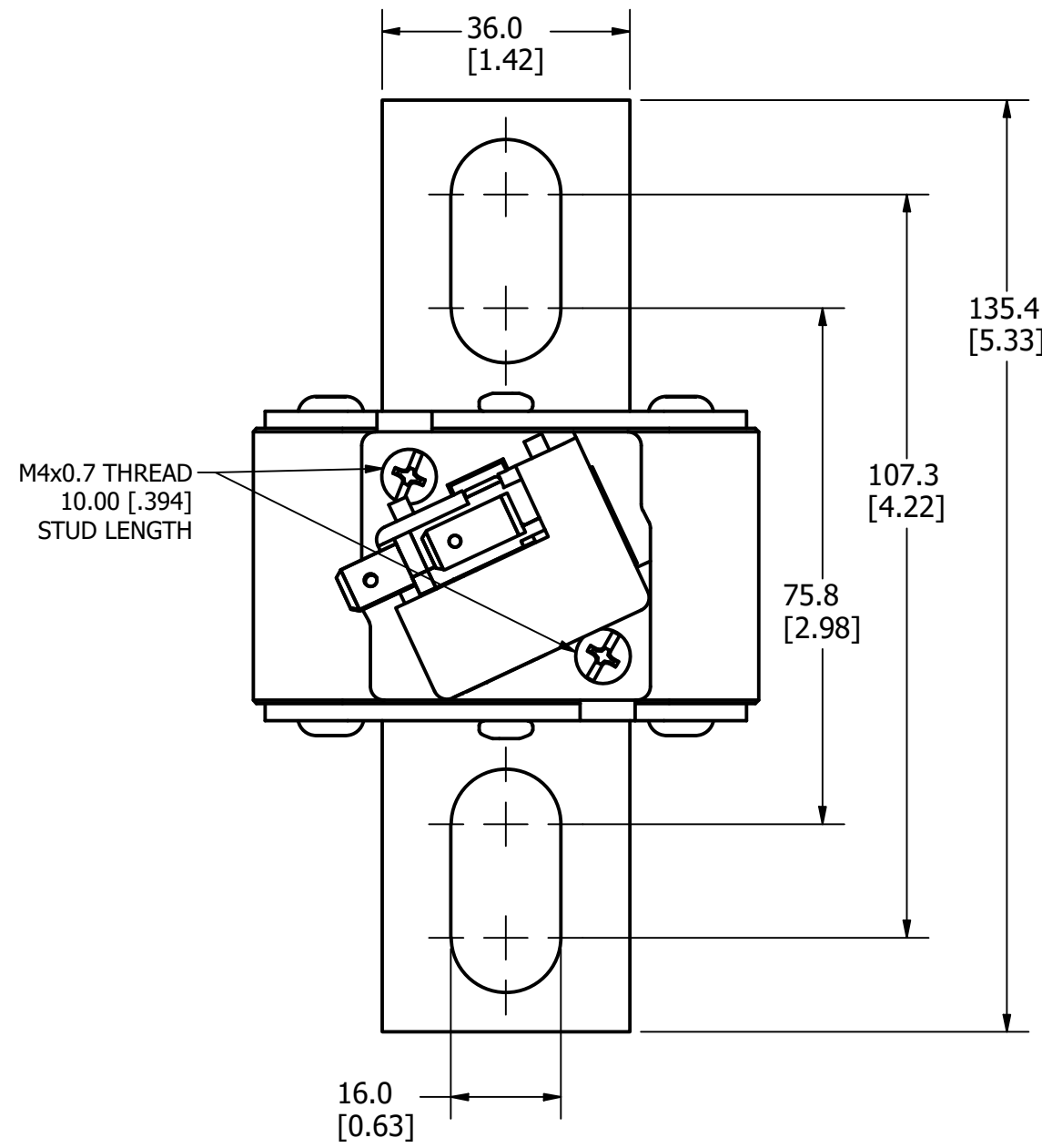
<S>	CRITICAL CHARACTERISTIC FOR PART SAFETY/COMPLIANCE		
●	DENOTES CRITICAL CHARACTERISTICS.		
CPK	DENOTES CPK DIMENSIONS, -MINIMUM CPK VALUE		
(ST)	DENOTES A CHARACTERISTIC THAT PROVIDES AN INDICATION OF PROCESS PERFORMANCE. PROCEDURE FOR MEASUREMENT AND TRACKING TO BE DEFINED IN LITTELFUSE INSPECTION INSTRUCTIONS.		
CP	DENOTES CP DIMENSIONS, -MINIMUM CP VALUE MUST BE WITHIN THE DIMENSIONAL LIMITATIONS SHOWN ON DRAWING AND INITIALLY LOCATED TO ALLOW FOR MAXIMUM TOOL LIFE.		
MATL SPEC		FINISH	
DRW myork	DATE 12/31/1969	SCALE NTS	FINISH GOOD WT GRAMS/PIECE
UNLESS OTHERWISE SPECIFIED, DIMENSIONS ARE IN MILLIMETERS, DIMENSIONS IN BRACKETS [] ARE INCHES DIMENSIONING AND DO NOT INCLUDE PLATING. TOLERANCING TO BE INTERPRETED IN ACCORDANCE WITH ANSI Y14.5M-1994			
3RD ANGLE PROJECTION			
TITLE PSR SIZE 32 NORTH AMERICAN SHORT (US) FUSE OUTLINE			
Littelfuse® CHICAGO, ILLINOIS 60631		REVISION C	DRWG NO. OL-PSR032US0000
		SHEET 1 OF 1	

MOUNTING SPECS:

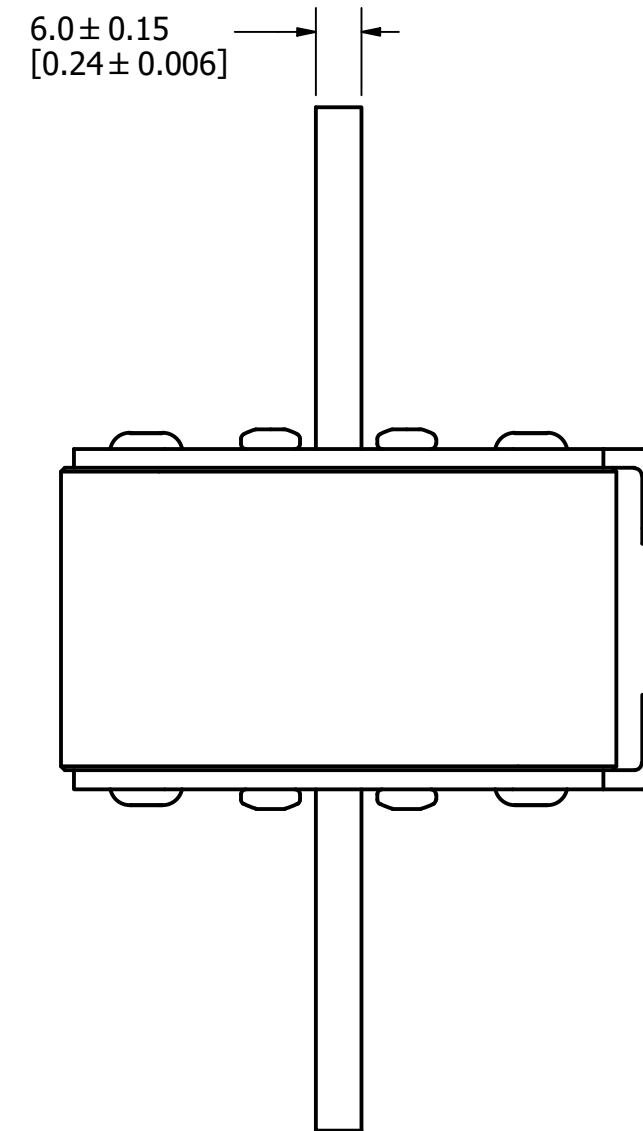
RECOMMENDED FASTENER: M14 OR 9/16"
TIGHTENING TORQUE (REFERENCE ONLY): 92Nm

REVISION		
REV	DATE	DESCRIPTION
A	3/4/20	522052GCP - RELEASE MRY
B	5/10/22	525179ECP/D - CHANGE HEIGHT DIMENSION, ADD TOLERANCES MRY
C	1/17/24	526835ECP/D - ADDED VIEW WITHOUT MICRO-SWITCH JTM

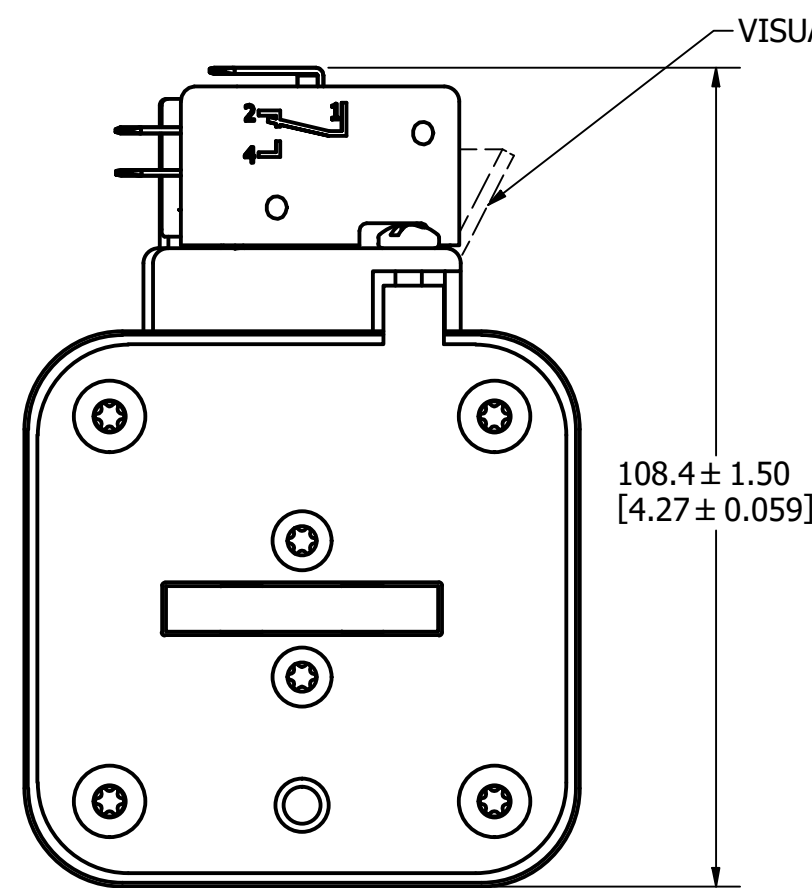
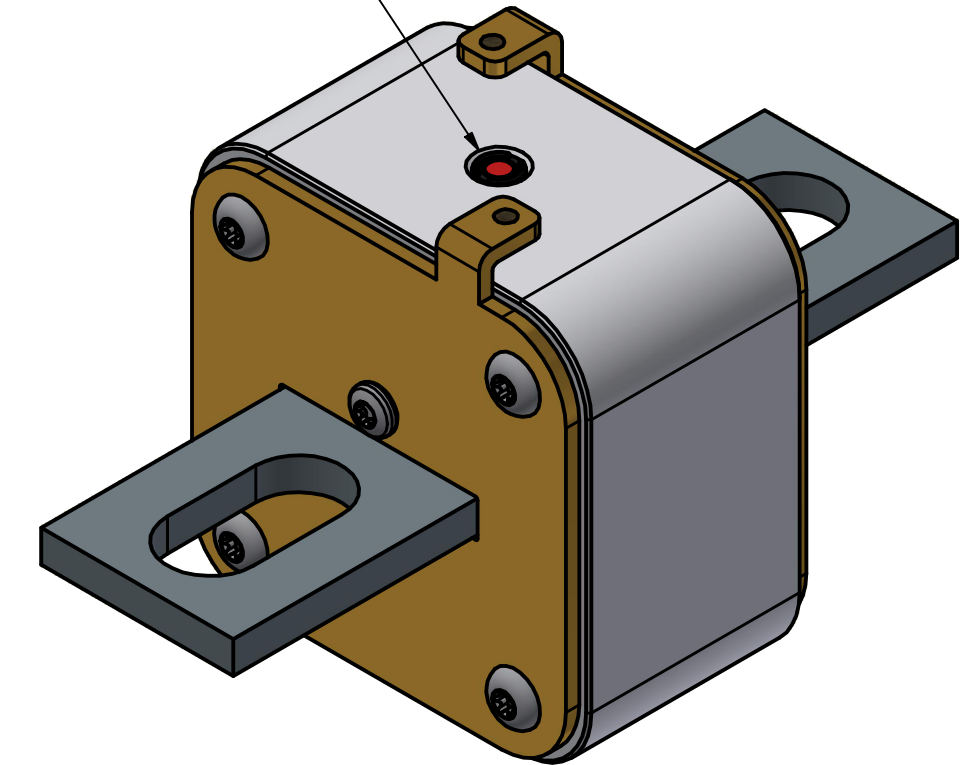
FUSE WITH MICRO-SWITCH



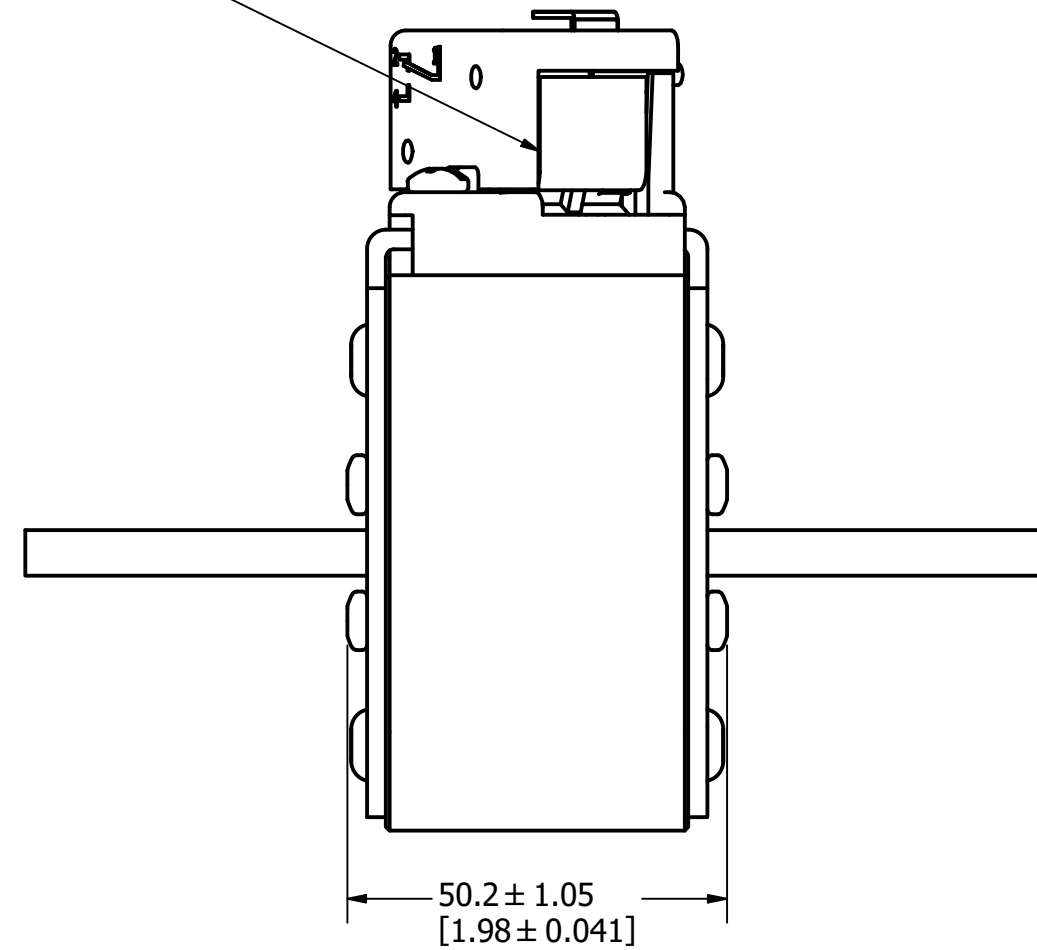
FUSE



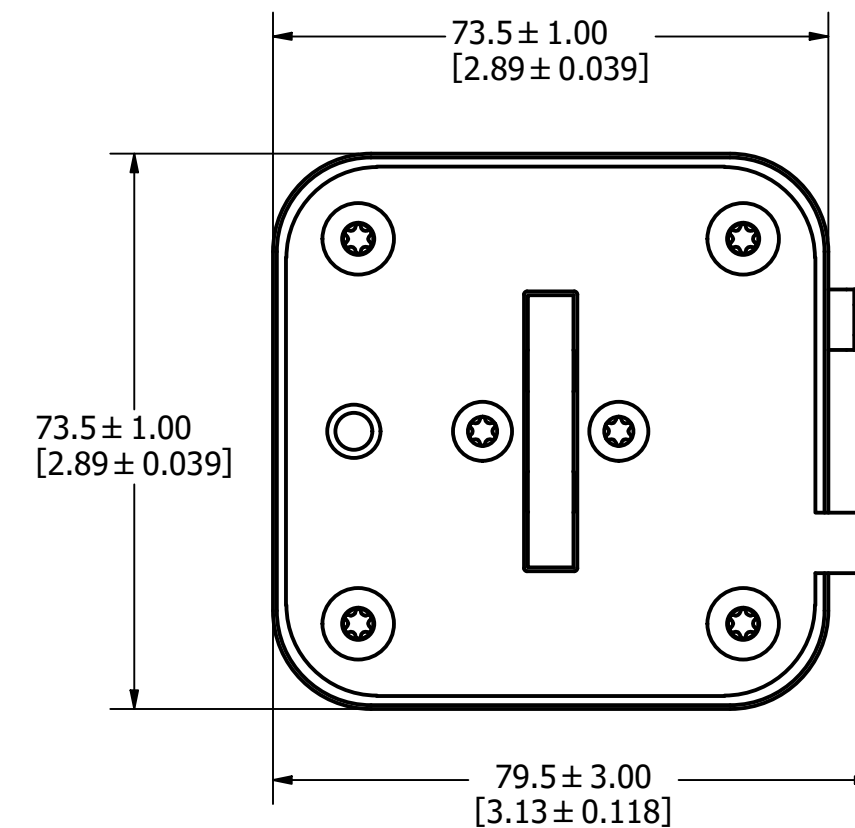
INTERNAL INDICATOR



FUSE WITH MICRO-SWITCH



FOR REFERENCE ONLY



<S>	CRITICAL CHARACTERISTIC FOR PART SAFETY/COMPLIANCE
●	DENOTES CRITICAL CHARACTERISTICS.
CPK	DENOTES CPK DIMENSIONS, -MINIMUM CPK VALUE
(ST)	DENOTES A CHARACTERISTIC THAT PROVIDES AN INDICATION OF PROCESS PERFORMANCE. PROCEDURE FOR MEASUREMENT AND TRACKING TO BE DEFINED IN LITTELFUSE INSPECTION INSTRUCTIONS.
CP	DENOTES CP DIMENSIONS, -MINIMUM CP VALUE MUST BE WITHIN THE DIMENSIONAL LIMITATIONS SHOWN ON DRAWING AND INITIALLY LOCATED TO ALLOW FOR MAXIMUM TOOL LIFE.

MATL SPEC	FINISH
DRW myork	DATE 3/3/2020
SCALE NTS	FINISH GOOD WT GRAMS/PIECE

UNLESS OTHERWISE SPECIFIED, DIMENSIONS ARE IN MILLIMETERS, DIMENSIONS IN BRACKETS [] ARE INCHES DIMENSIONING AND DO NOT INCLUDE PLATING. TOLERANCING TO BE INTERPRETED IN ACCORDANCE WITH ANSI Y14.5M-1994

3RD ANGLE PROJECTION	
----------------------	--

TITLE PSR SIZE 33 NORTH AMERICAN SHORT (US) FUSE OUTLINE