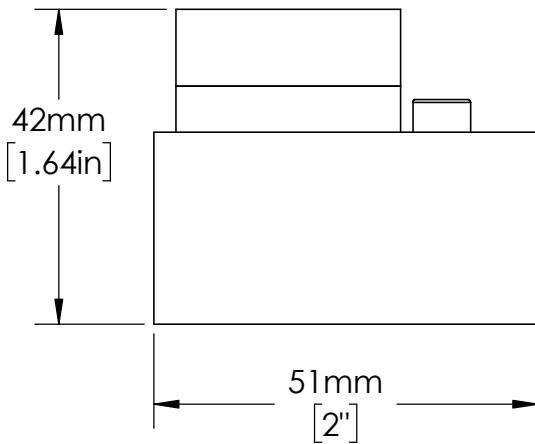


25mm [1"]

25mm [1"]

MOUNTING HOLE
Ø6mm [.25in]



UNLESS NOTED OTHERWISE
DIMENSIONS ARE IN INCHES
TOLERANCES:
TWO PLACE DECIMAL ±0.05
NOT DRAWN TO SCALE

MATERIAL	
NAME	DATE
DRAWN BY J.MOLER 01/31/23	



DESCRIPTION: VOLTAGE MONITORING PROTECTION

PART NUMBER: HLM SERIES

REV A

WEIGHT: SHEET 1 OF 1