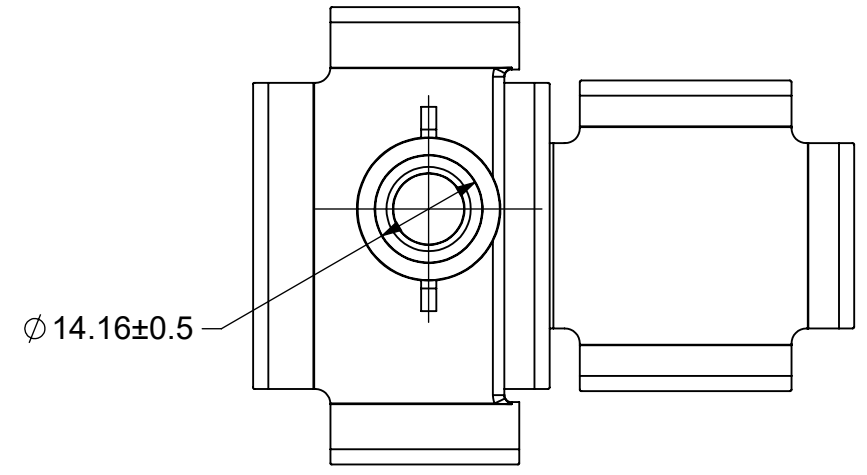
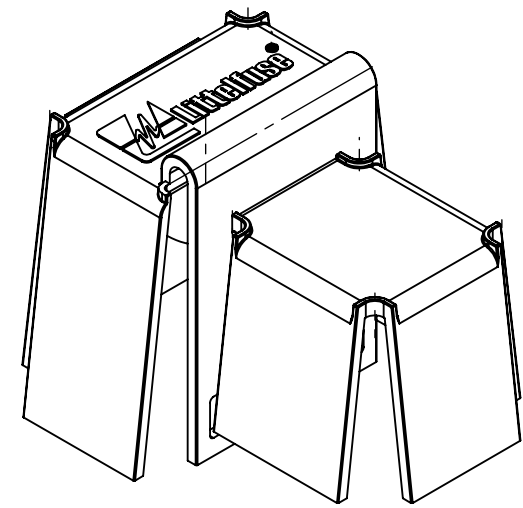
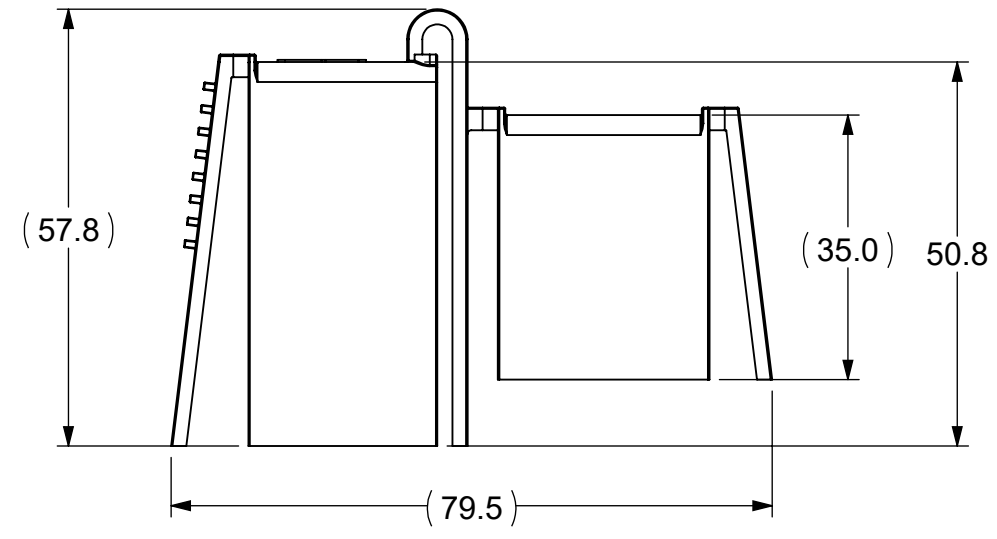
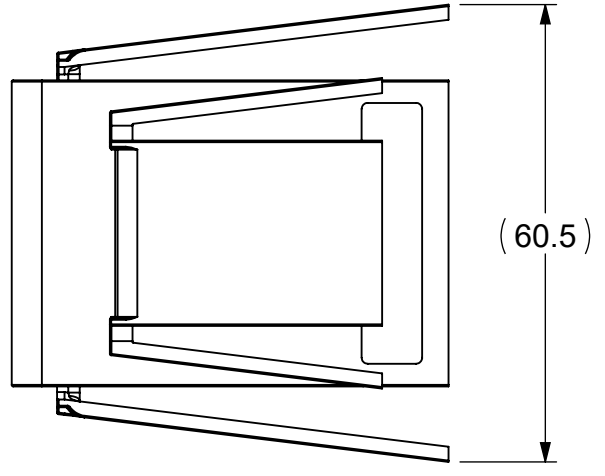
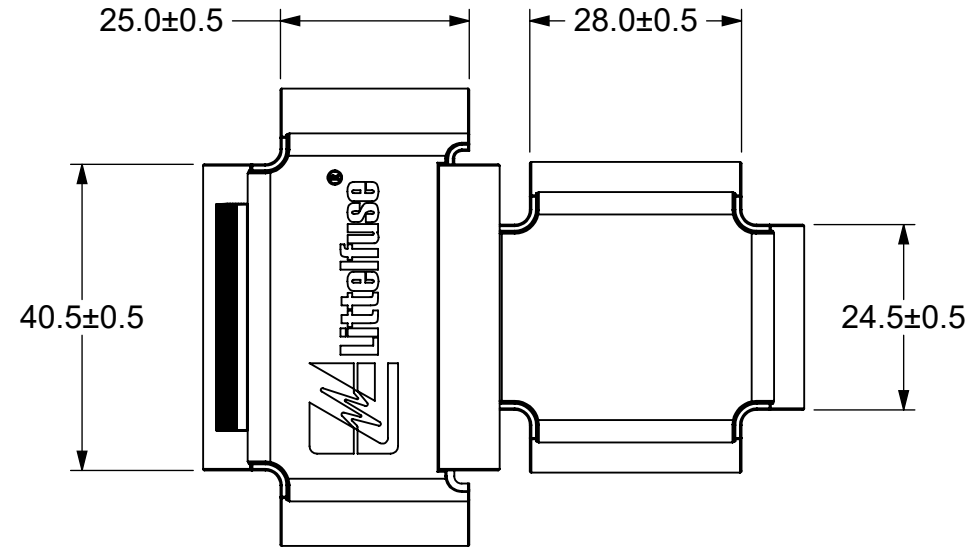


THIS DRAWING AND THE INFORMATION CONTAINED WITHIN IT ARE CONFIDENTIAL AND MAY NOT BE COPIED OR DISCLOSED WITHOUT THE WRITTEN PERMISSION OF LITTELFUSE.

REVISIONS				
ZONE	REV.	DESCRIPTION	DATE	APPROVED
	A	PCO5300241: INITIAL RELEASE	15/APR/2023	Du.C



- NOTES:
- ASSOCIATED 3D CAD FILE DEFINES ALL NON-DIMENSIONED FEATURES.
 - MATERIAL: TPV RED
DUROMETER: 80~90 SHORE
FLAMMABILITY: UL94-V0
 - LF P/N: 901-541

LIMIT DIMENSIONS OF RUBBER MOLDED PARTS FOR NOMINAL SIZE RANGES PER ISO IN LITTELFUSE CVP-NPD20-0002, DIMENSIONS mm												
0 to 4	>4 to 6	>6 to 10	>10 to 16	>16 to 25	>25 to 40	>40 to 63	>63 to 100	>100 to 160	>160 to 250	>250 to 315	>315 to 400	ANGLE
±0.10	±0.15	±0.20	±0.20	±0.25	±0.35	±0.40	±0.50	±0.70	±0.5%	±0.5%	±0.5%	NONE

DIMENSIONS ARE SHOWN IN MILLIMETERS. DIMENSIONS AND TOLERANCES ARE DEFINED ACCORDING TO ANSI/ASME Y14.5-1994.	
●	FIT/ FUNCTION CRITICAL CHARACTERISTICS
<S>	SAFETY/ COMPLIANCE CRITICAL CHARACTERISTICS SYMBOL
CPK	DENOTES CPK DIMENSIONS MINIMUM CPK VALUE
ST	DENOTES A CHARACTERISTIC THAT PROVIDES AN INDICATION OF PROCESS PERFORMANCE. PROCEDURE FOR MEASUREMENT AND TRACKING TO BE DEFINED IN LITTELFUSE INSPECTION INSTRUCTIONS
CP	DENOTES CP DIMENSIONS. -MINIMUM CP VALUE MUST BE WITHIN THE DIMENSIONAL LIMITATIONS SHOWN ON DRAWING AND INITIALLY LOCATED TO ALLOW FOR MAXIMUM TOOL LIFE

NAME	DATE	 Expertise Applied Answers Delivered
DRAWN Rev.L	15/FEB/2022	
CHECKED Du.C	15/FEB/2022	TITLE SMZ M10 FUSE COVER
FORM NO: CVP-PE40-0003 REV B		
THIRD ANGLE PROJECTION		SIZE B DWG. NO. OL-901-541 REV. A
DO NOT SCALE DRAWING	SCALE 1:1	
		SHEET 1 OF 1