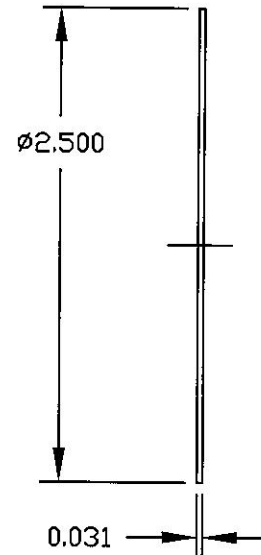
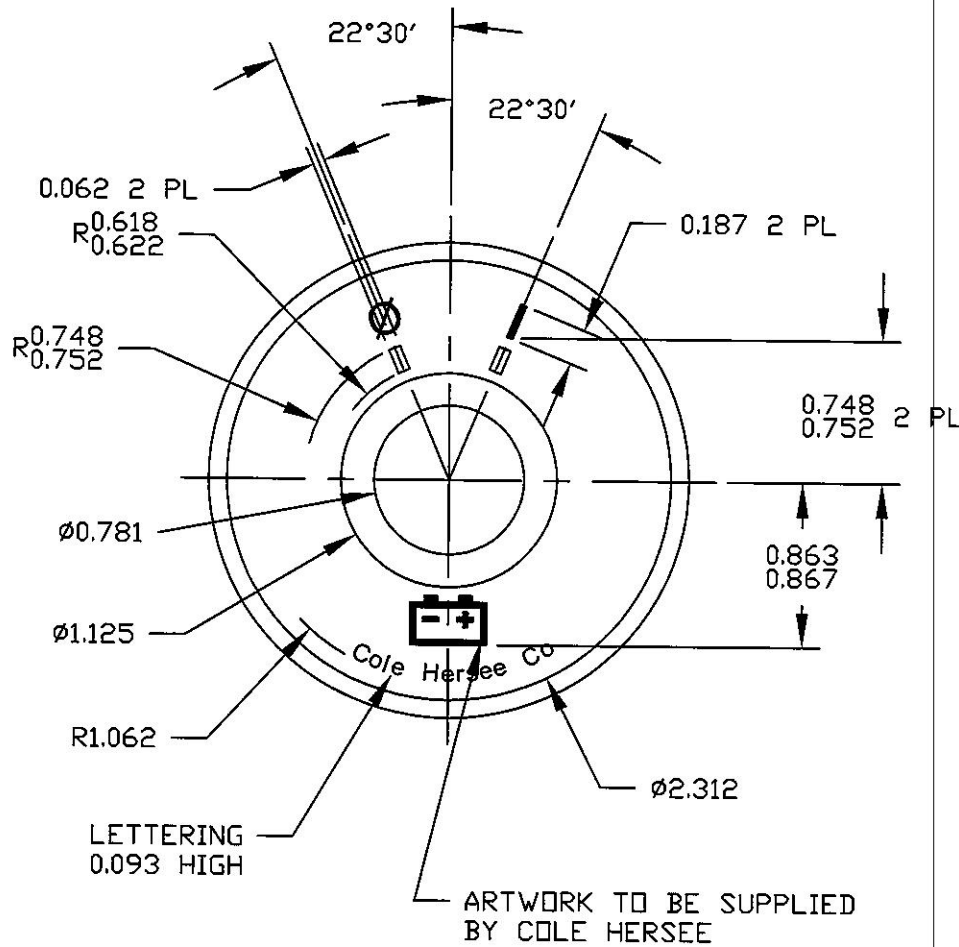


Revision Control Record

Rev.	Description of Change	ECN No.	Date
A	RELEASED PART	10389	11/29/10



- NOTES:
1. MATERIAL 1/32 [0.032] THICK ALUMINUM
 2. INNER & OUTER BANDS & LETTERING TO BE POLISHED ALUMINUM, BACKGROUND TO BE DARK BLUE

Tolerances Unless otherwise specifically noted, the following are default tolerances;

2-places $\pm 0.02''$ **3-places** $\pm 0.005''$ **Angular** $\pm 1'$

Metric: Shown in [] refers to equivalent English Dim Tol

"REF." or an Asterisk (*) = Non-Toleranced Reference Dimension, shown for clarification purposes only.

NOTE: All tolerances are Non-Cumulative.

PROPRIETARY INFORMATION
This Engineering Drawing, and the information contained herein, is proprietary to Cole Hersee Company and may not be disclosed, re-produced, or in any other way transferred or communicated to any other party without the express written consent of an authorized representative of Cole Hersee Company.

Special Characteristics:

- CC** Critical Characteristic, relating to Safety and/or Regulatory Compliance
- X** Significant Characteristic relating to Process Control
- KC** Control Dimension relating to Form - Fit - Function as defined by Cole Hersee Company and/or the Customer



Cole Hersee Co.

20 Old Colony Ave., South Boston, MA, 02127
Phn: 617-268-2100 Web: www.colehersee.com

Description:

PLATE, FACE

Drawing / Part No.:

82065-03

Current Rev.

A

FORM CHT-6 (2/07)

Used On or Ref.: **82065, EX28823-35**

Scale: 1:1

Drawn BY: **DPS**

Date Drawn: 11/9/10

Pg. 1 of 1