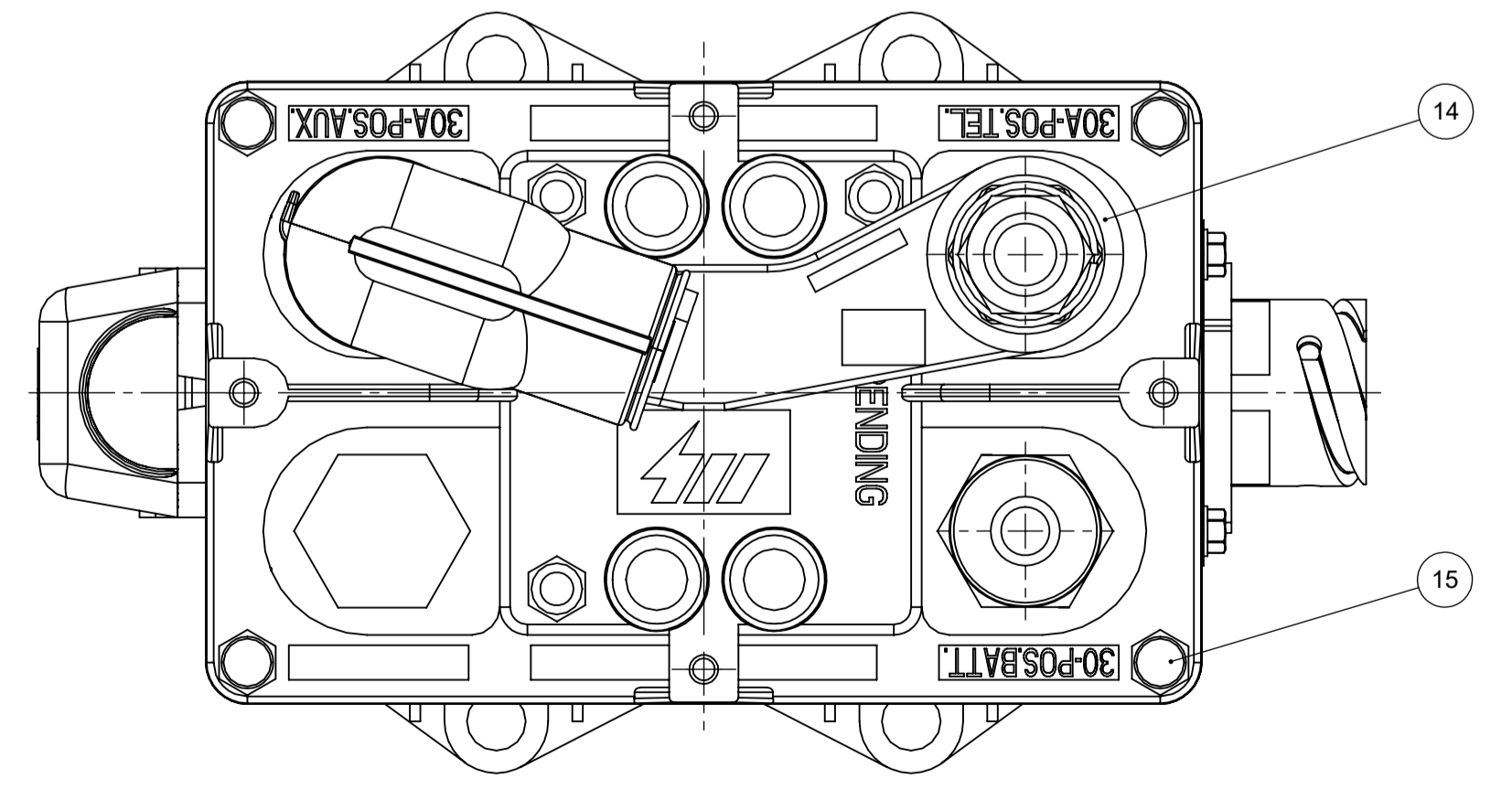
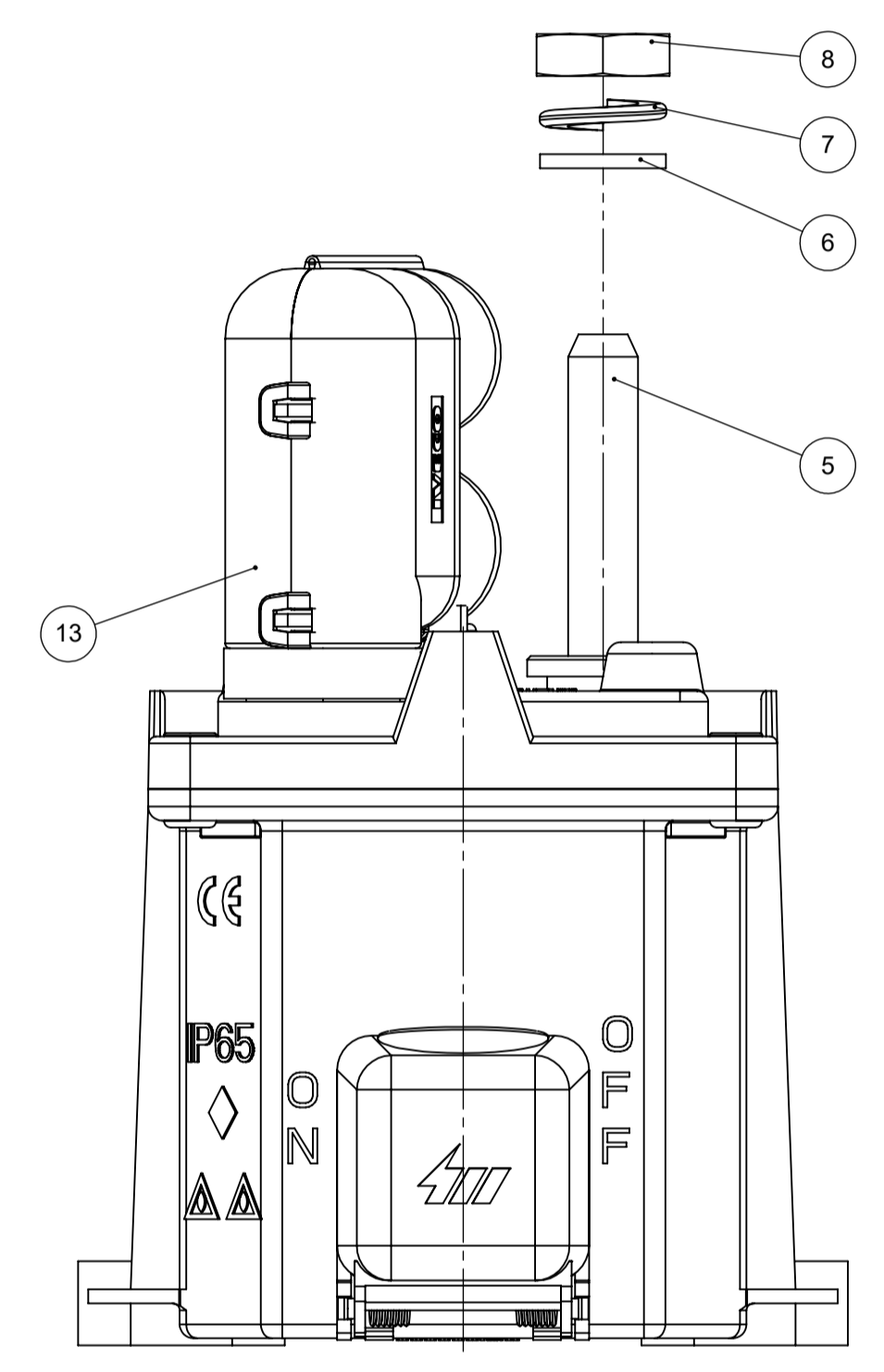
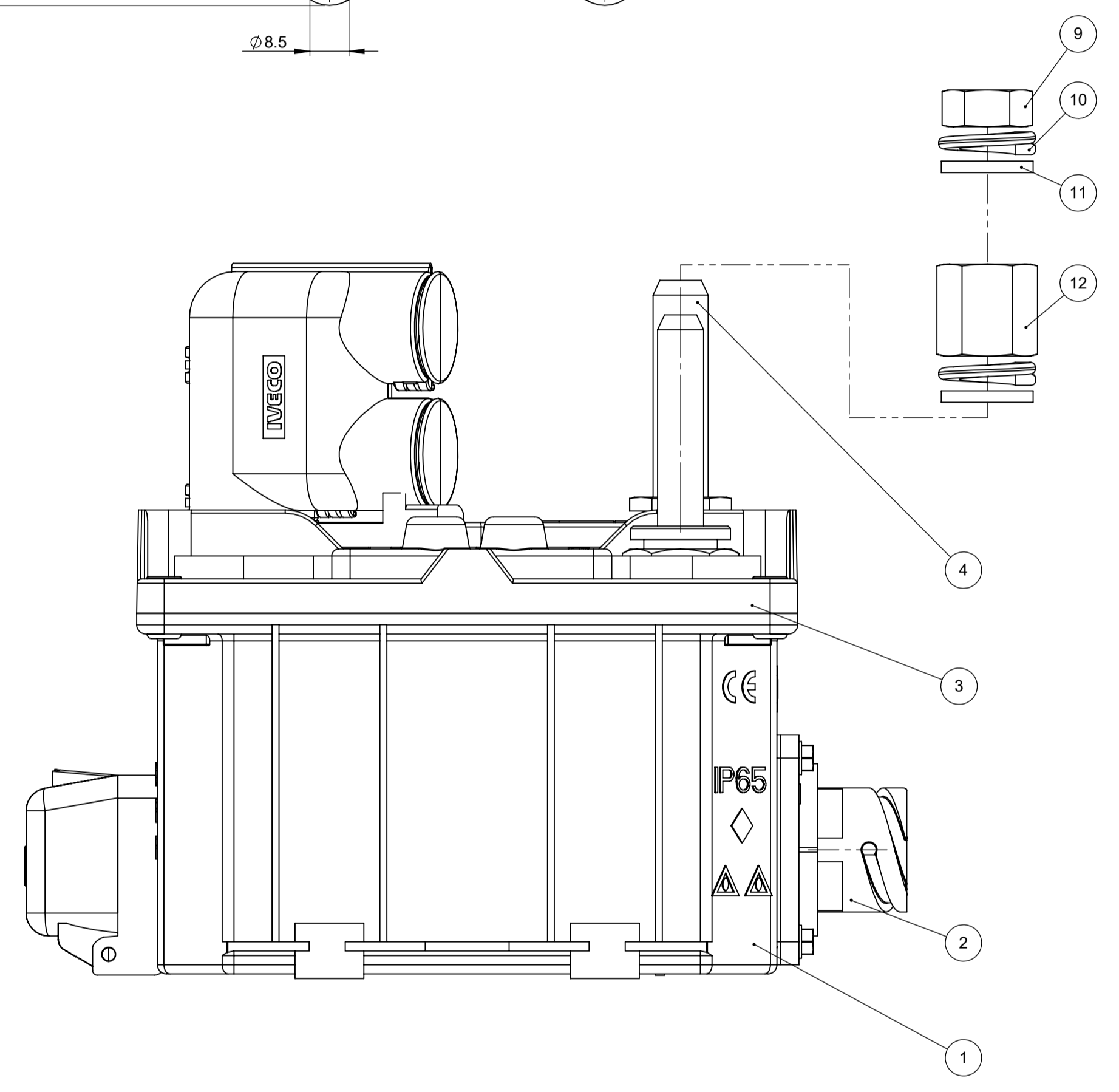
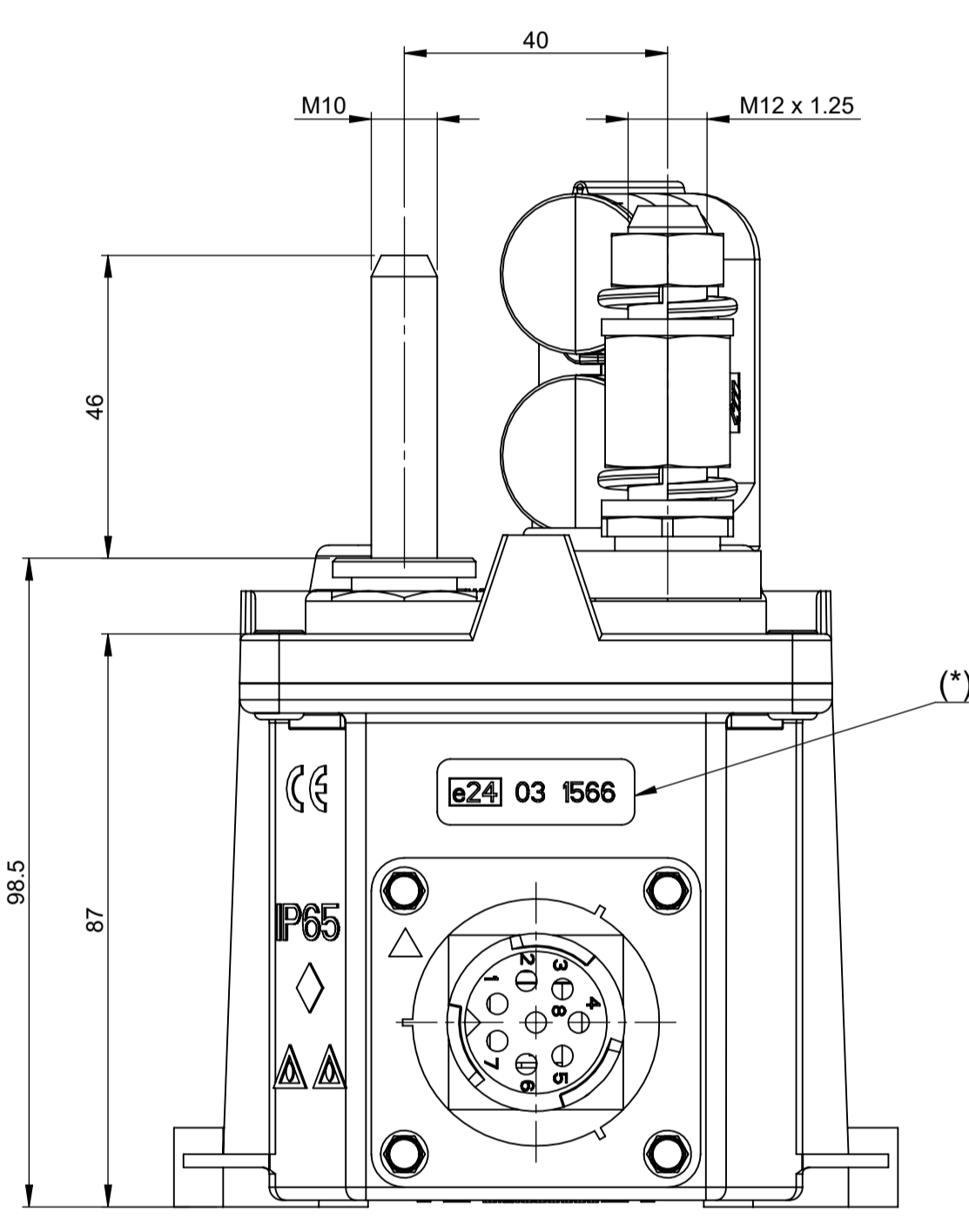
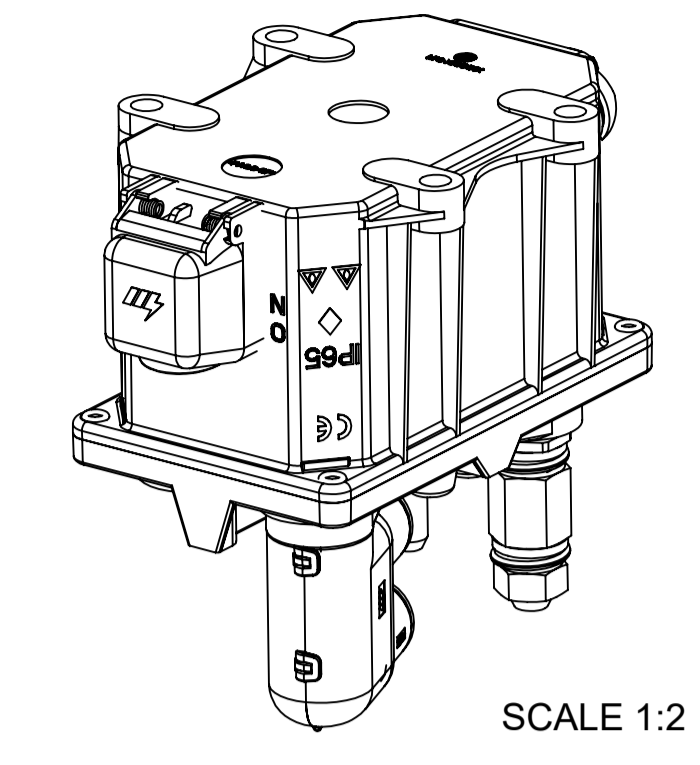
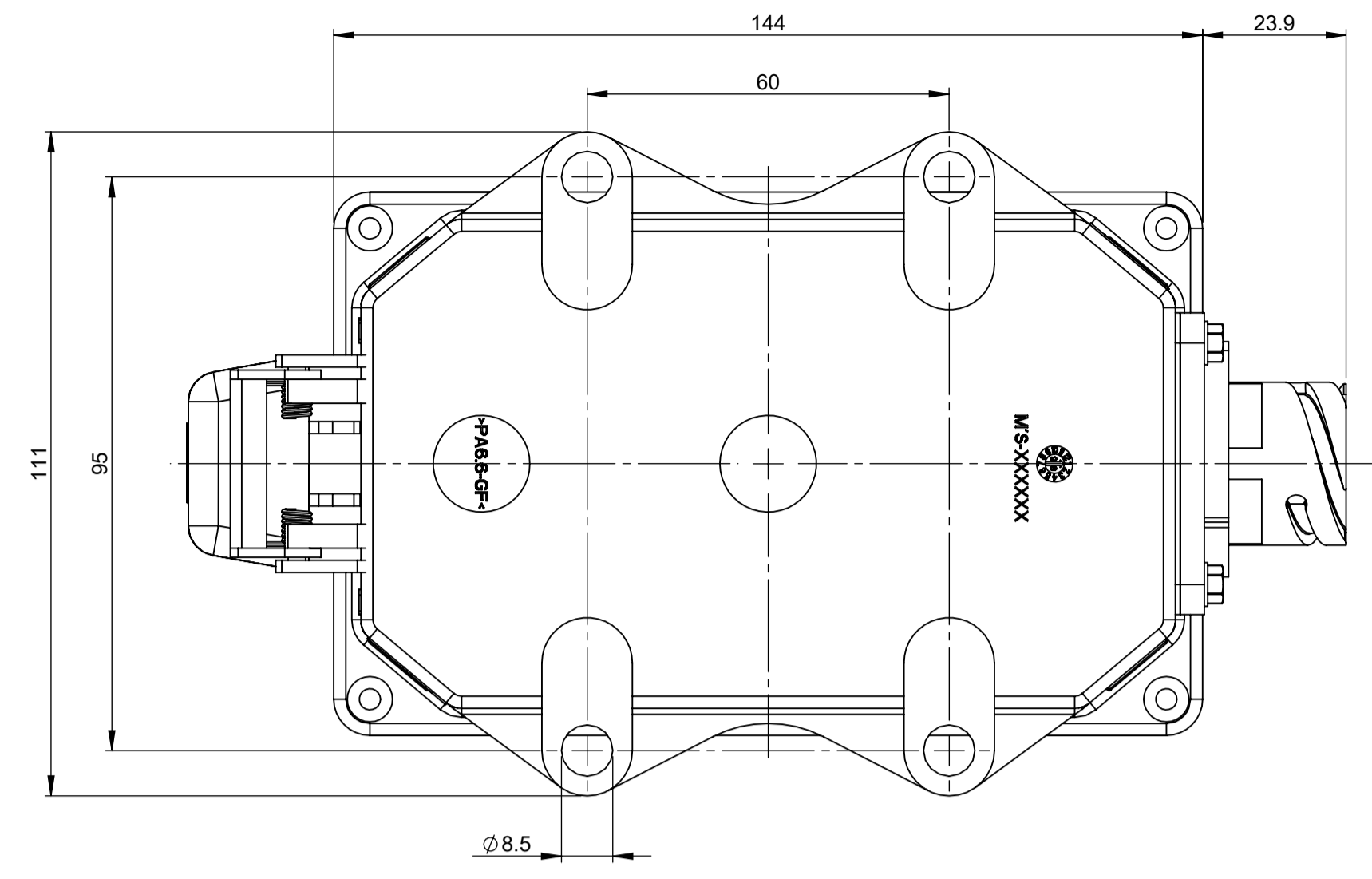
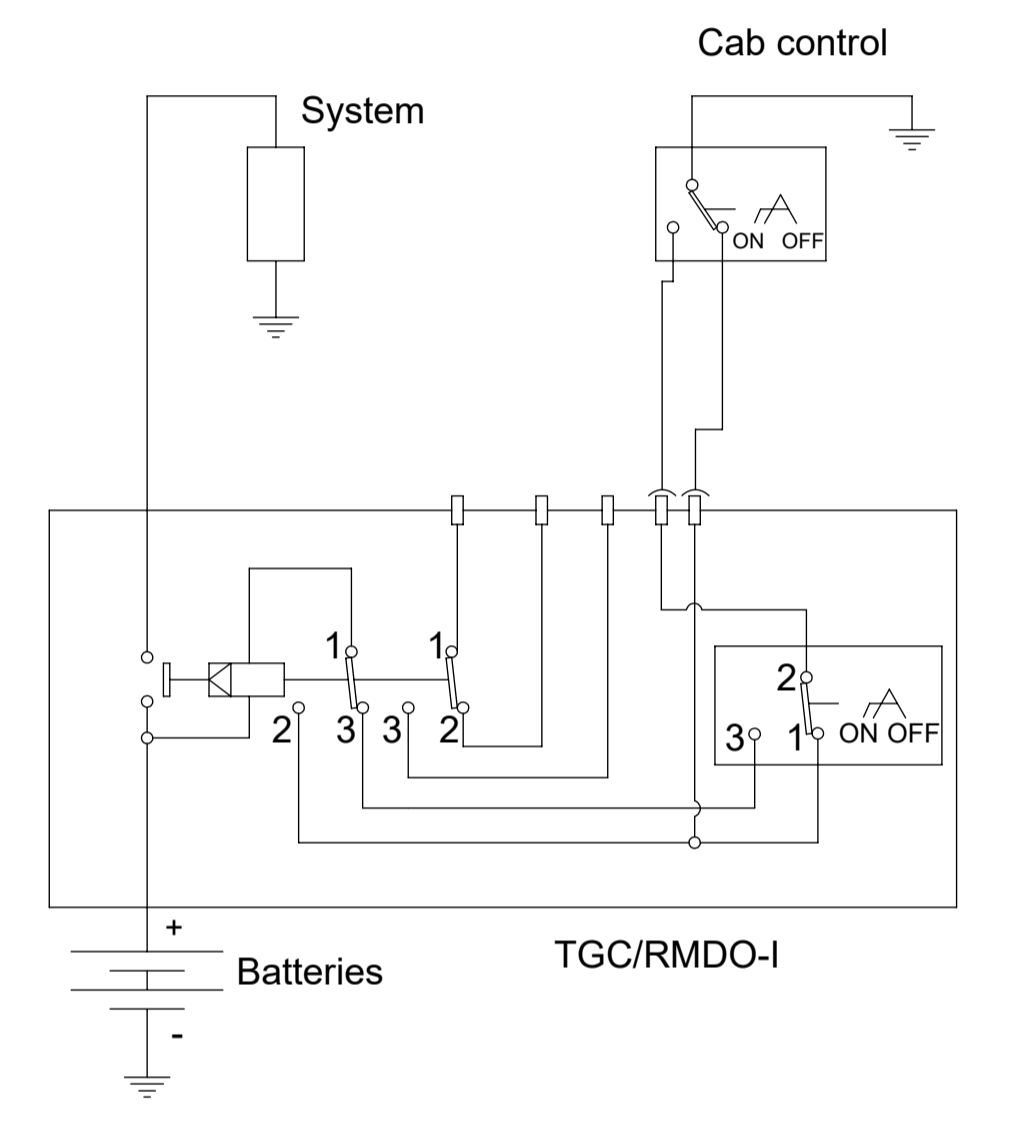


| REVISIONS |                                |           |             |          |
|-----------|--------------------------------|-----------|-------------|----------|
| REV.      | DESCRIPTION                    | DATE      | DESIGNED    | APPROVED |
| A         | First issue of outline drawing | 07-Jul-20 | L.Dal Molin | M.Tinto  |



Electrical diagram



| POS. | P/N      | DESCRIPTION               | MATERIAL      | Q.TY | U/M |
|------|----------|---------------------------|---------------|------|-----|
| 15   |          | Closing rivets            | Steel         | 4    | EA  |
| 14   |          | External bridge           |               | 1    | EA  |
| 13   | 00226360 | 1 NW22 + 1 NW13 open      | PA66//PB      | 1    | EA  |
| 13   | 00226700 | 1 NW22 + 1 NW13 closed    | PA66//PB      | 1    | EA  |
| 13   | 00226660 | 2 closed protection NW 17 | PA66//PB      | 1    | EA  |
| 12   |          | Nut M12x1.25x20           | Brass         | 1    | EA  |
| 11   |          | Plane washer 12.3x20x2.5  | Brass         | 2    | EA  |
| 10   |          | Spring washer Ø 12        | Bronze        | 2    | EA  |
| 9    |          | Nut M12x25x6              | Brass         | 1    | EA  |
| 8    |          | Nut M10                   | Brass         | 1    | EA  |
| 7    |          | Spring washer Ø 10        | Bronze        | 1    | EA  |
| 6    |          | Plane washer 10,3x18x2    | Brass         | 1    | EA  |
| 5    |          | Screw M10                 | Brass         | 1    | EA  |
| 4    |          | Screw M12x1.25 long       | Brass         | 1    | EA  |
| 3    |          | Top cover                 | Thermosetting | 1    | EA  |
| 2    |          | 6-way male connector      | PA6           | 1    | EA  |
| 1    |          | Box                       | PA66          | 1    | EA  |

PRESCRIPTIONS

- The main switch must bear the name or code of the supplier, the code and the nominal voltage of the device, date of manufacture
- Tightening torque nut: 22 ± 1 Nm
- Tightening torque nuts M12x1.25: 22 ± 1 Nm
- Test the device according to IVECO Standard
- It is recommended to fix the device to the structure using M8 screws UNI 5931/1984 and plane washer 5.4x17 UNI 5592/1969 with a tightening torque 10 ± 2 Nm
- The device must bear the marking for the recycling of plastic materials

CHARACTERISTICS

- Nominal tension: 24 V
- Max continuous current main contacts: 250 A at 23°C
- Max short duration current main contacts: 2000 A at 23°C for 30 sec.
- Number of electrical and mechanical operations: 50.000

(\*): provided in the kit

SAP drawing number:

Material and treatments:

DIMENSIONS AND TOLERANCES IN MILLIMETERS, DEFINED ACCORDING TO ISO 1101-2017.

| linear dimensions |      |      |      |      |      |       |
|-------------------|------|------|------|------|------|-------|
| 0,5               | >3   | >6   | >30  | >120 | >400 | >1000 |
| ±0,2              | ±0,3 | ±0,5 | ±0,8 | ±1,2 | ±2   | ±3    |

angle (for range of lengths)

| up to  | >10 | >30    | >120   | >400 |
|--------|-----|--------|--------|------|
| 10     | 30  | 120    | 400    | 1000 |
| ±1'30" | ±1' | ±0'30" | ±0'15" |      |

(●) FIT FUNCTION CRITICAL CHARACTERISTICS SYMBOL  
 <S> SAFETY COMPLIANCE CRITICAL CHARACTERISTICS SYMBOL  
 CPK DENOTES CPK DIMENSIONS MINIMUM CPK VALUE  
 (ST) DENOTES A CHARACTERISTIC THAT PROVIDES AN INDICATION OF PROCESS PERFORMANCE PROCEDURE FOR MEASUREMENT AND TRACKING TO BE DEFINED IN LITTELFUSE INSPECTION INSTRUCTIONS  
 CP DENOTES CP DIMENSIONS - MINIMUM CP VALUE MUST BE WITHIN THE DIMENSIONAL LIMITATIONS SHOWN ON DRAWING AND INITIALLY LOCATED TO ALLOW FOR MAXIMUM TOOL LIFE

| NAME         | DATE      |
|--------------|-----------|
| L. Dal Molin | 28 May 19 |

**Littelfuse**  
 Expertise Applied Answers Delivered

FORM NO. CP-RES-2013 REV. A  
 FIRST ANGLE PROJECTION  
 DO NOT SCALE DRAWING

TITLE: ELECTRICAL MAIN SWITCH  
 TGC/RMDO-I 24V POS. ADR  
 SIZE: A1  
 SCALE: 1:1  
 SHEET 1 OF 1