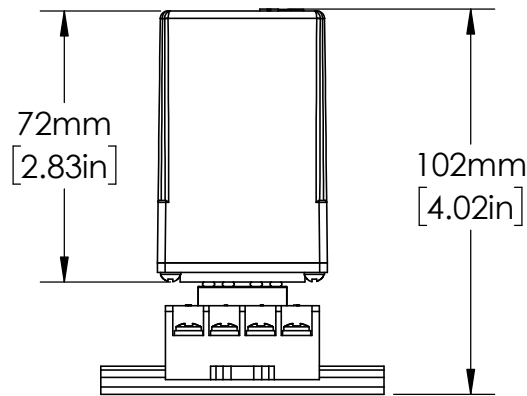
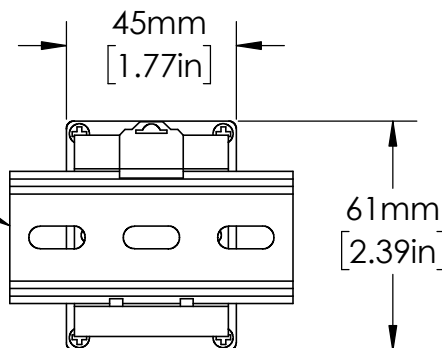


OT08PC
RELAY SOCKET



35mm
DIN RAIL



UNLESS NOTED OTHERWISE
DIMENSIONS ARE IN INCHES
TOLERANCES:
TWO PLACE DECIMAL ±0.05
NOT DRAWN TO SCALE



DESCRIPTION:
SINGLE PHASE VOLTAGE
MONITORING PROTECTION

PART NUMBER:
201-SP-DPDT SERIES

REV
A



MATERIAL	NAME	DATE
	JMOLER	12/27/22