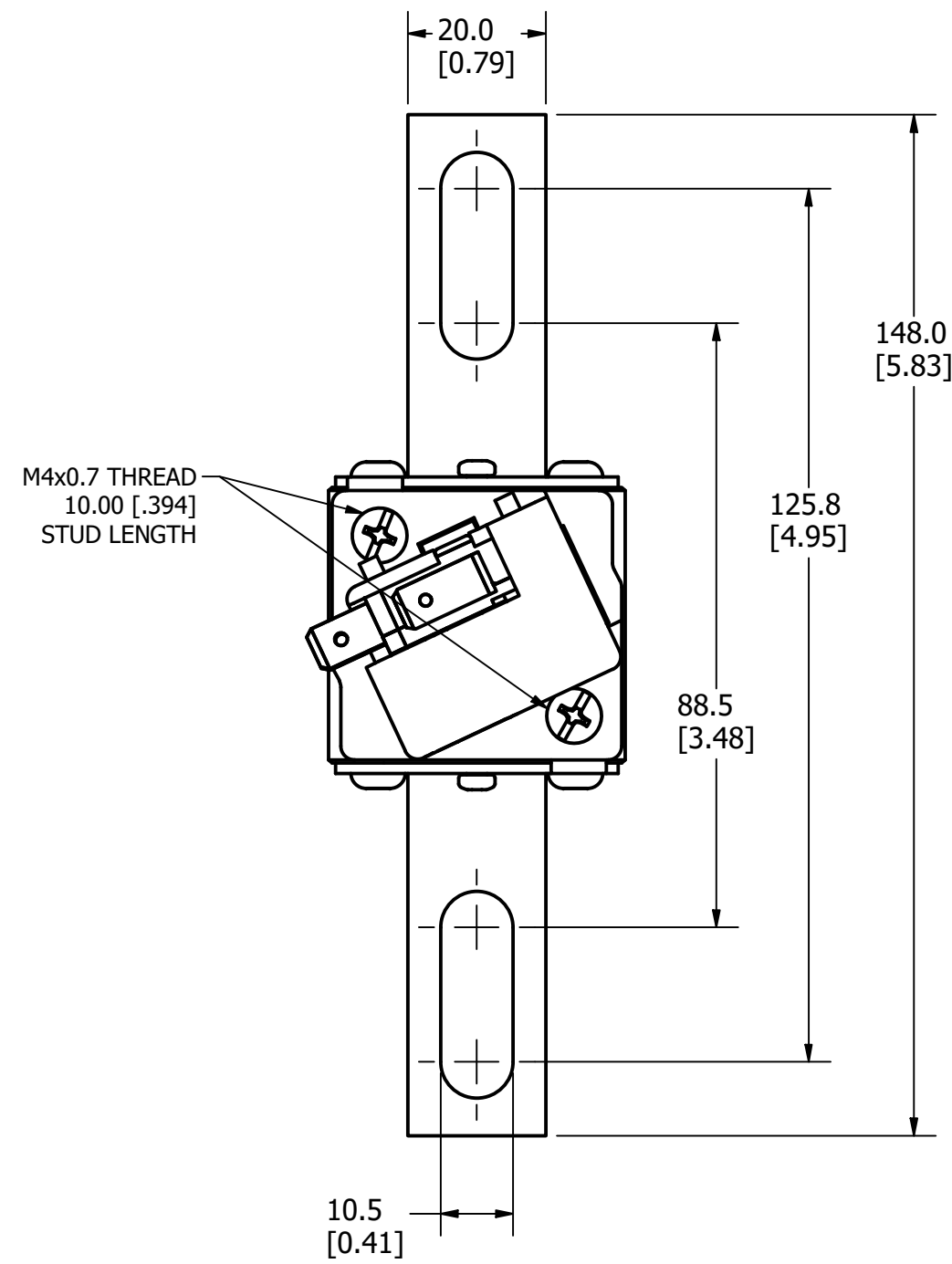


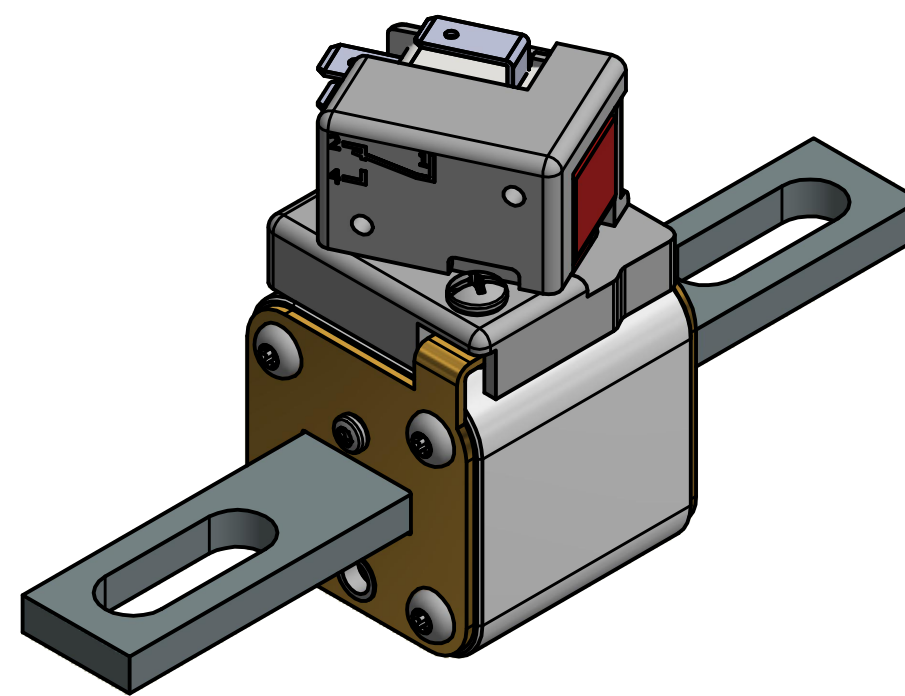
MOUNTING SPECS:

RECOMMENDED FASTENER: M10 OR 3/8"
TIGHTENING TORQUE (REFERENCE ONLY): 26Nm

REVISION		
REV	DATE	DESCRIPTION
A	3/4/20	522052GCP - RELEASE MRY
B	5/10/22	525179ECP/D - CHANGE HEIGHT DIMENSION, ADD TOLERANCES MRY
C	1/19/24	526835ECP/D - ADDED VIEW WITHOUT MICRO-SWITCH JTM

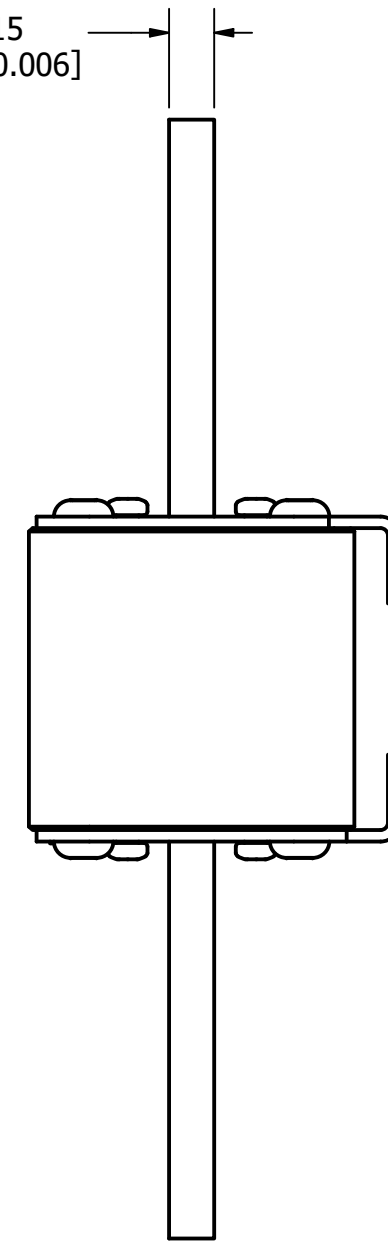


FUSE WITH MICRO-SWITCH

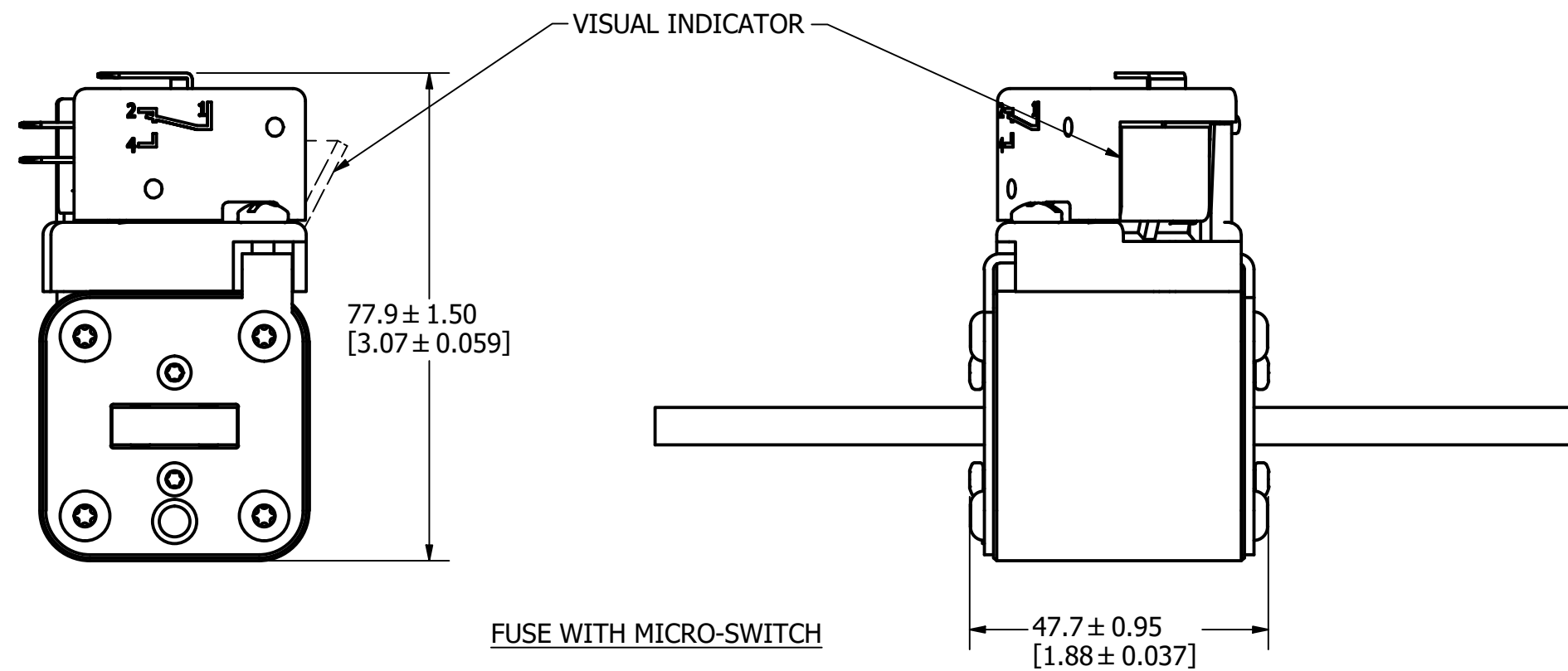
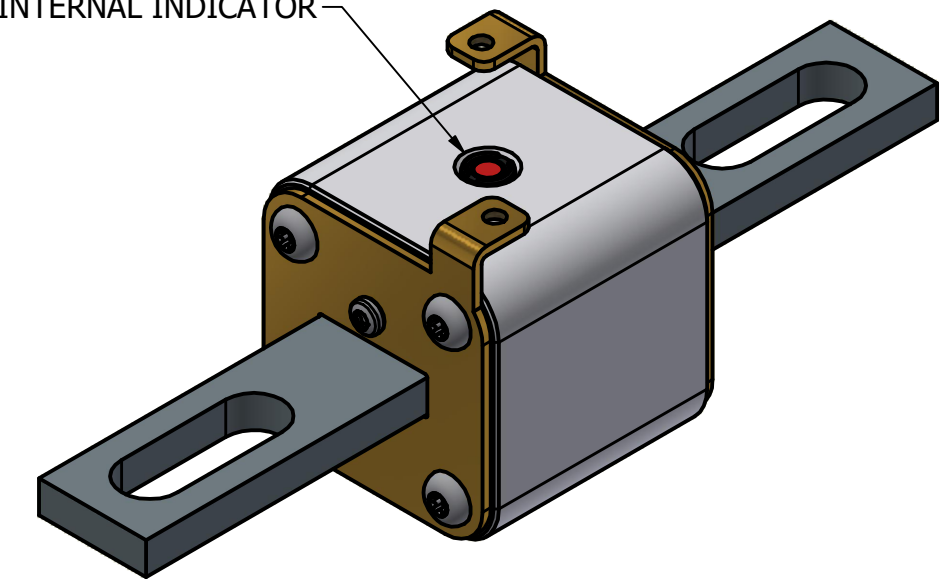


6.0 ± 0.15
[0.24 ± 0.006]

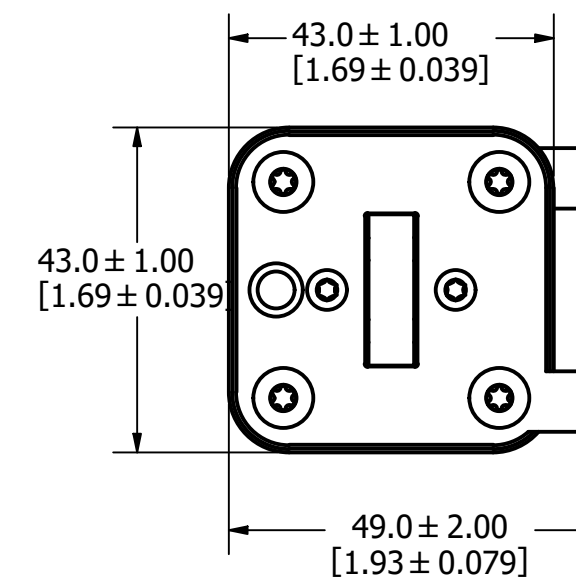
FUSE



INTERNAL INDICATOR



FUSE WITH MICRO-SWITCH



FOR REFERENCE ONLY

<S>	CRITICAL CHARACTERISTIC FOR PART SAFETY/COMPLIANCE
●	DENOTES CRITICAL CHARACTERISTICS.
CPK	DENOTES CPK DIMENSIONS, -MINIMUM CPK VALUE
Ⓢ	DENOTES A CHARACTERISTIC THAT PROVIDES AN INDICATION OF PROCESS PERFORMANCE. PROCEDURE FOR MEASUREMENT AND TRACKING TO BE DEFINED IN LITTELFUSE INSPECTION INSTRUCTIONS.
CP	DENOTES CP DIMENSIONS, -MINIMUM CP VALUE MUST BE WITHIN THE DIMENSIONAL LIMITATIONS SHOWN ON DRAWING AND INITIALLY LOCATED TO ALLOW FOR MAXIMUM TOOL LIFE.

MATL SPEC	FINISH
DRW myork	DATE 1/19/2024
SCALE NTS	FINISH GOOD WT GRAMS/PIECE

UNLESS OTHERWISE SPECIFIED, DIMENSIONS ARE IN MILLIMETERS, DIMENSIONS IN BRACKETS [] ARE INCHES DIMENSIONING AND DO NOT INCLUDE PLATING. TOLERANCING TO BE INTERPRETED IN ACCORDANCE WITH ANSI Y14.5M-1994

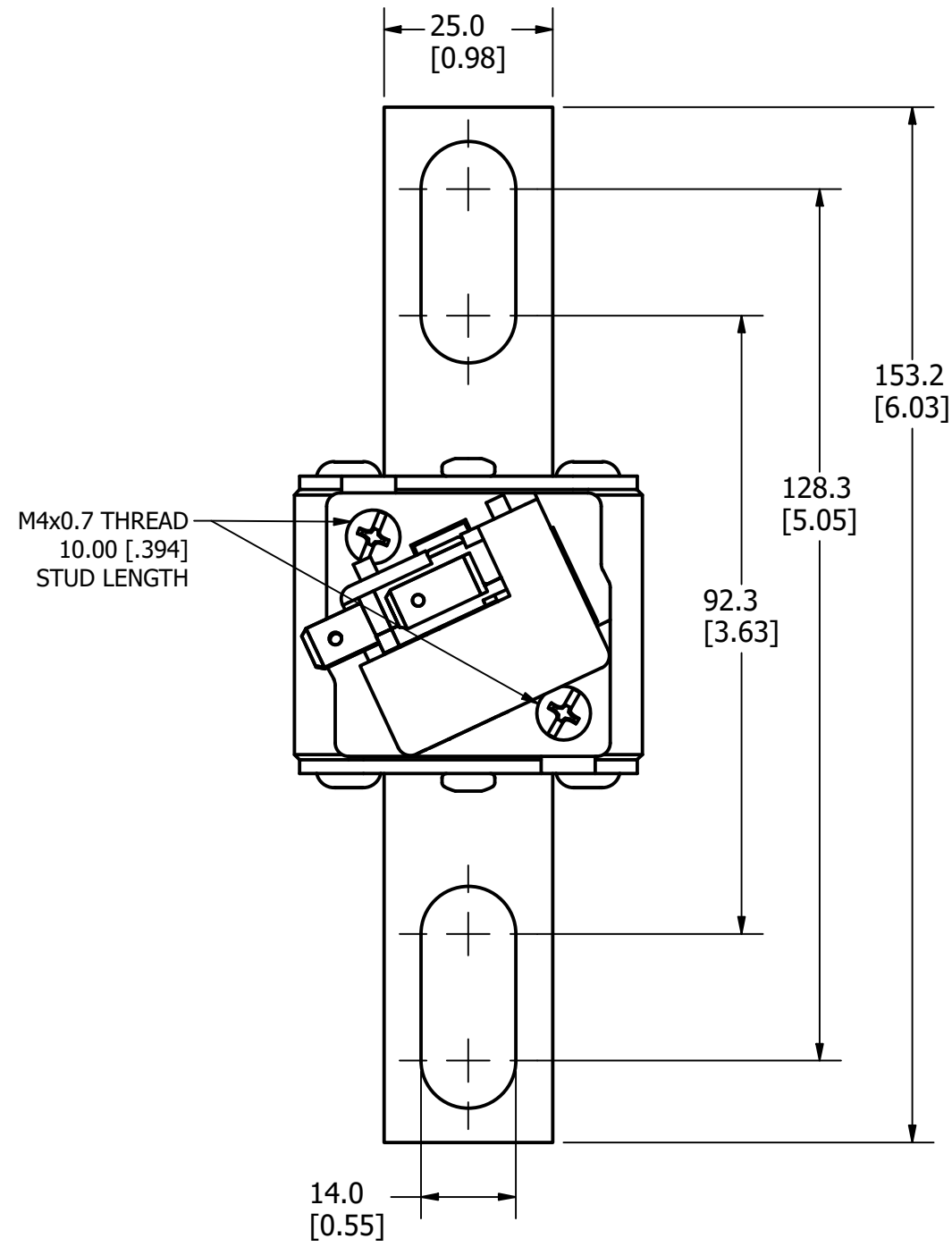


TITLE PSR SIZE 30 NORTH AMERICAN LONG (UL) FUSE OUTLINE

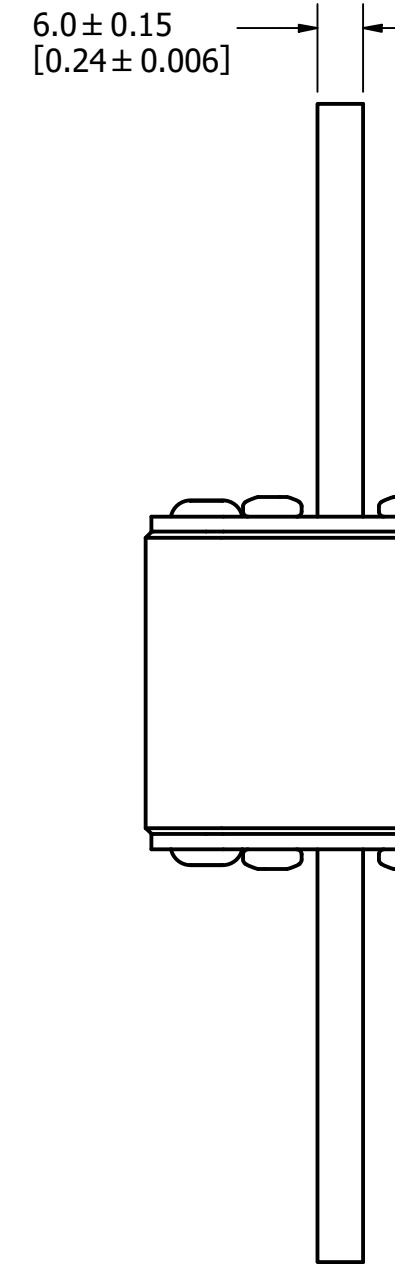
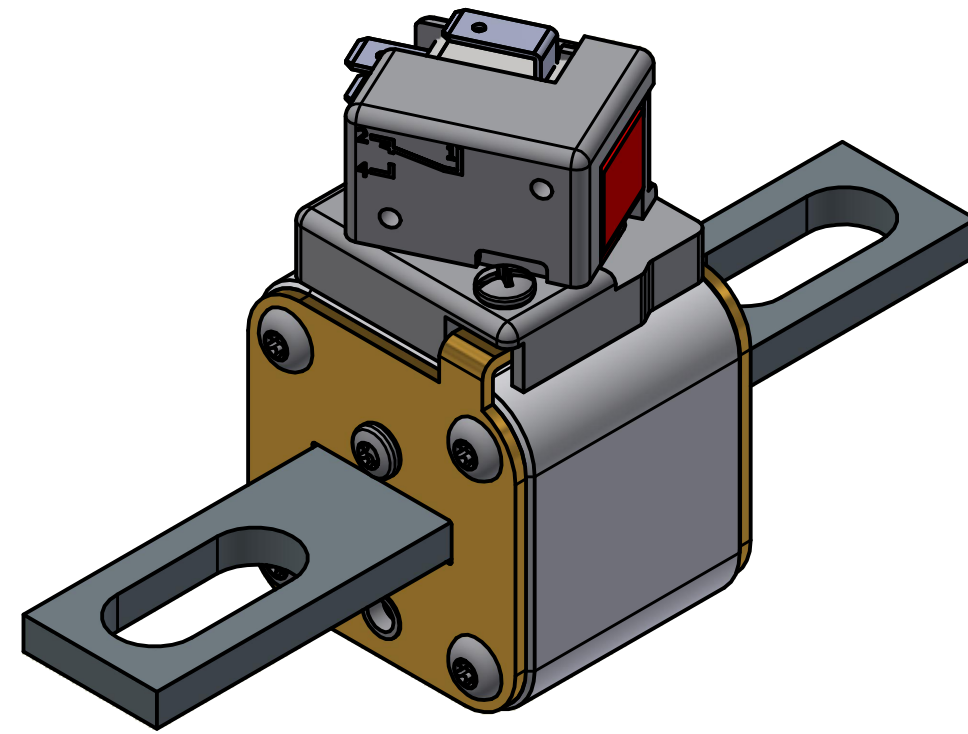
Littelfuse CHICAGO, ILLINOIS 60631	REVISION C	DRWG NO. OL-PSR030UL000	SHEET 1 OF 1
--	------------	-------------------------	--------------

MOUNTING SPECS:

RECOMMENDED FASTENER: M12 OR 1/2"
TIGHTENING TORQUE (REFERENCE ONLY): 64Nm

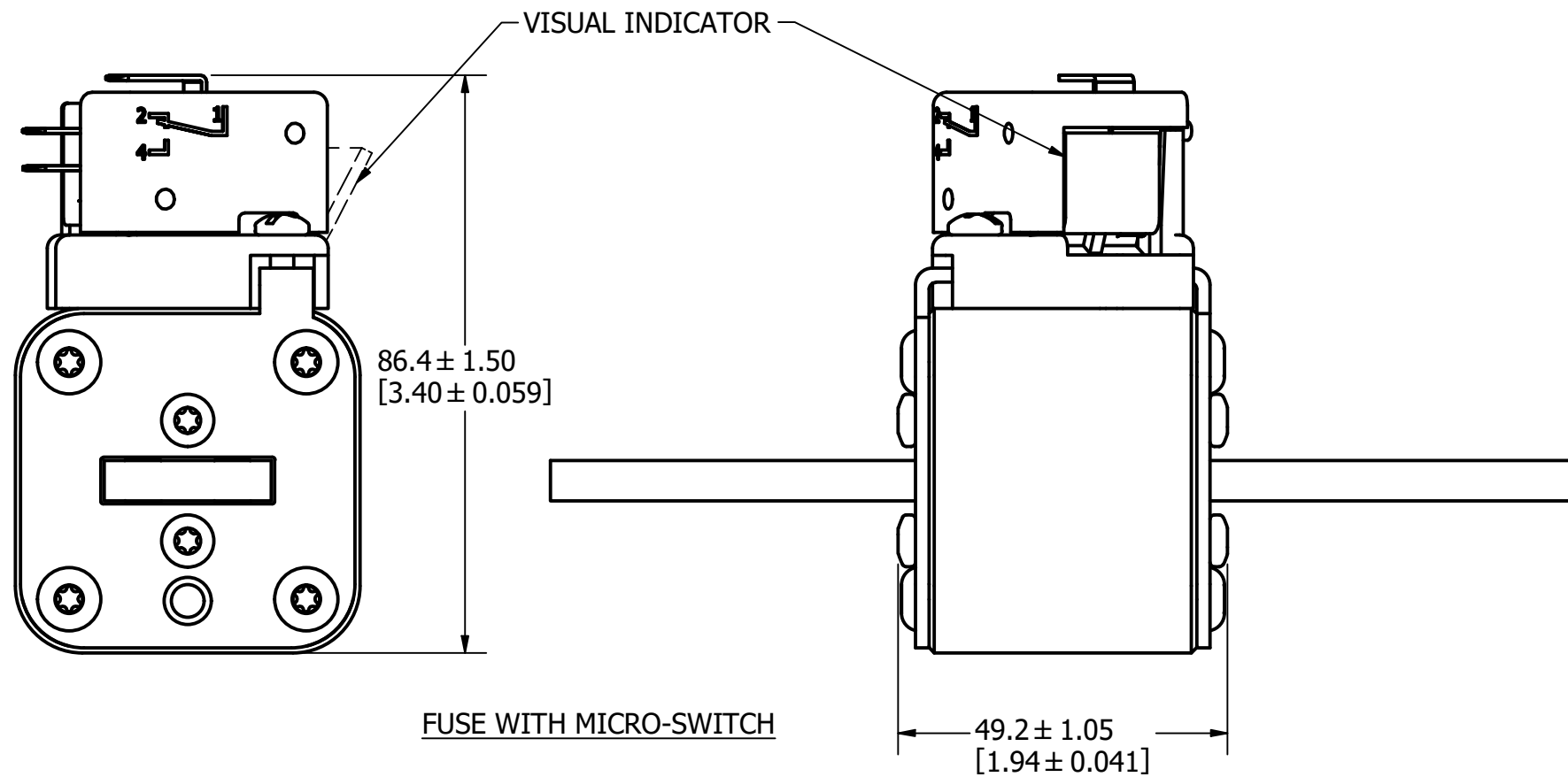
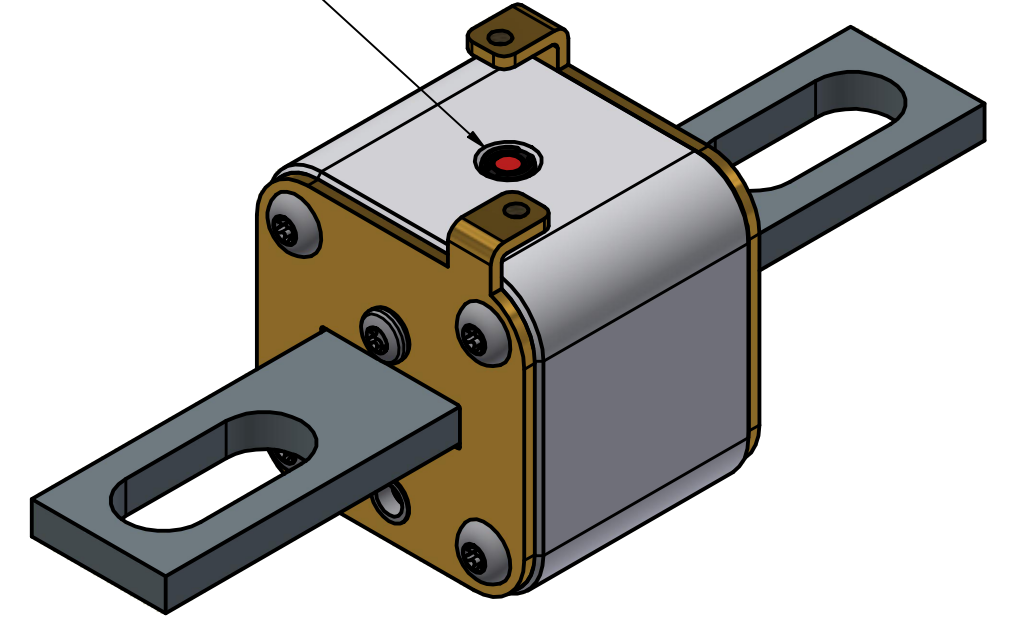


FUSE WITH MICRO-SWITCH

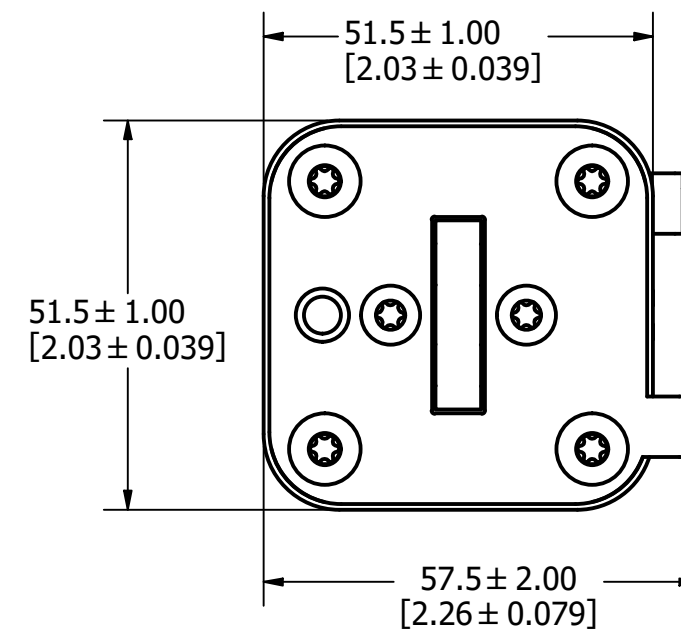


FUSE

INTERNAL INDICATOR



FUSE WITH MICRO-SWITCH



FOR REFERENCE ONLY

REVISION		
REV	DATE	DESCRIPTION
A	3/4/20	522052GCP - RELEASE MRY
B	5/10/22	525179ECP/D - CHANGE HEIGHT DIMENSION, ADD TOLERANCES MRY
C	2/1/24	526835ECP/D - ADDED VIEW WITHOUT MICRO-SWITCH JTM

<S>	CRITICAL CHARACTERISTIC FOR PART SAFETY/COMPLIANCE
●	DENOTES CRITICAL CHARACTERISTICS.
CPK	DENOTES CPK DIMENSIONS, -MINIMUM CPK VALUE
(ST)	DENOTES A CHARACTERISTIC THAT PROVIDES AN INDICATION OF PROCESS PERFORMANCE. PROCEDURE FOR MEASUREMENT AND TRACKING TO BE DEFINED IN LITTELFUSE INSPECTION INSTRUCTIONS.
CP	DENOTES CP DIMENSIONS, -MINIMUM CP VALUE MUST BE WITHIN THE DIMENSIONAL LIMITATIONS SHOWN ON DRAWING AND INITIALLY LOCATED TO ALLOW FOR MAXIMUM TOOL LIFE.

MATL SPEC	FINISH
DRW myork	DATE 1/31/2024
SCALE NTS	FINISH GOOD WT GRAMS/PIECE

UNLESS OTHERWISE SPECIFIED, DIMENSIONS ARE IN MILLIMETERS, DIMENSIONS IN BRACKETS [] ARE INCHES DIMENSIONING AND DO NOT INCLUDE PLATING. TOLERANCING TO BE INTERPRETED IN ACCORDANCE WITH ANSI Y14.5M-1994

3RD ANGLE PROJECTION	
----------------------	--

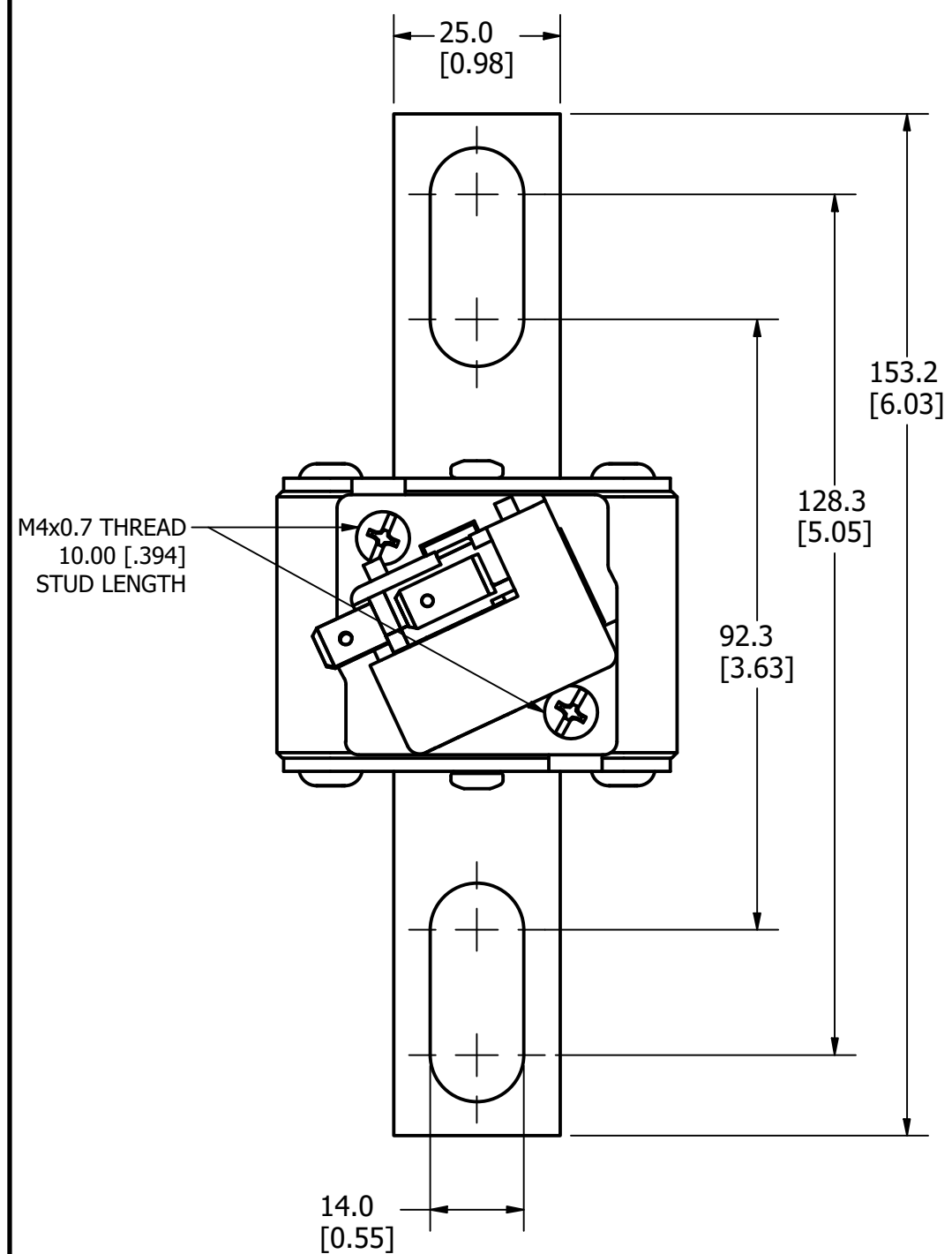
TITLE PSR SIZE 31 NORTH AMERICAN LONG (UL) FUSE OUTLINE

Littelfuse CHICAGO, ILLINOIS 60631	REVISION C	DRWG NO. OL-PSR031UL000	SHEET 1 OF 1
--	------------	-------------------------	--------------

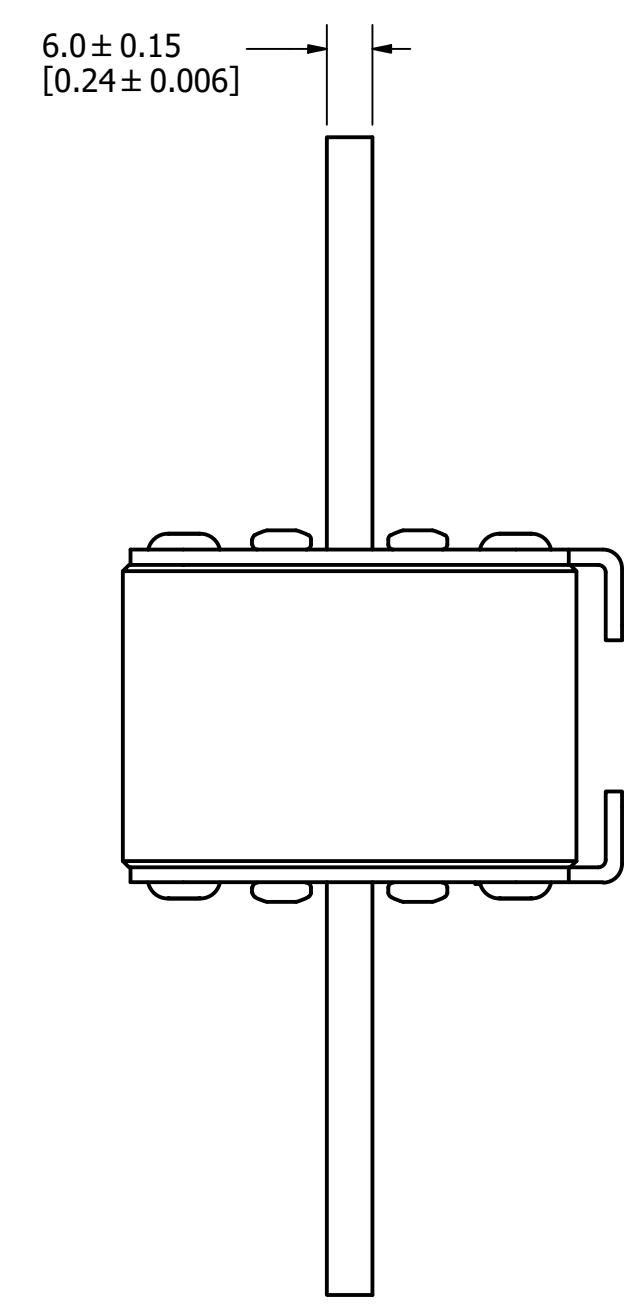
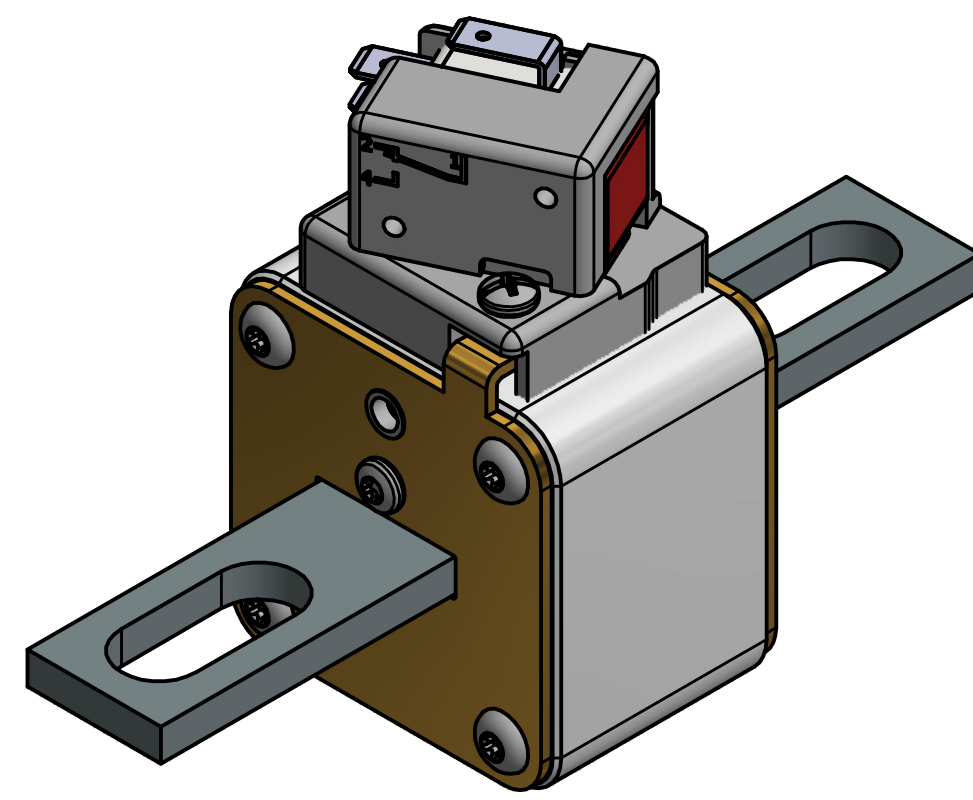
MOUNTING SPECS:

RECOMMENDED FASTENER: M12 OR 1/2"
TIGHTENING TORQUE (REFERENCE ONLY): 64Nm

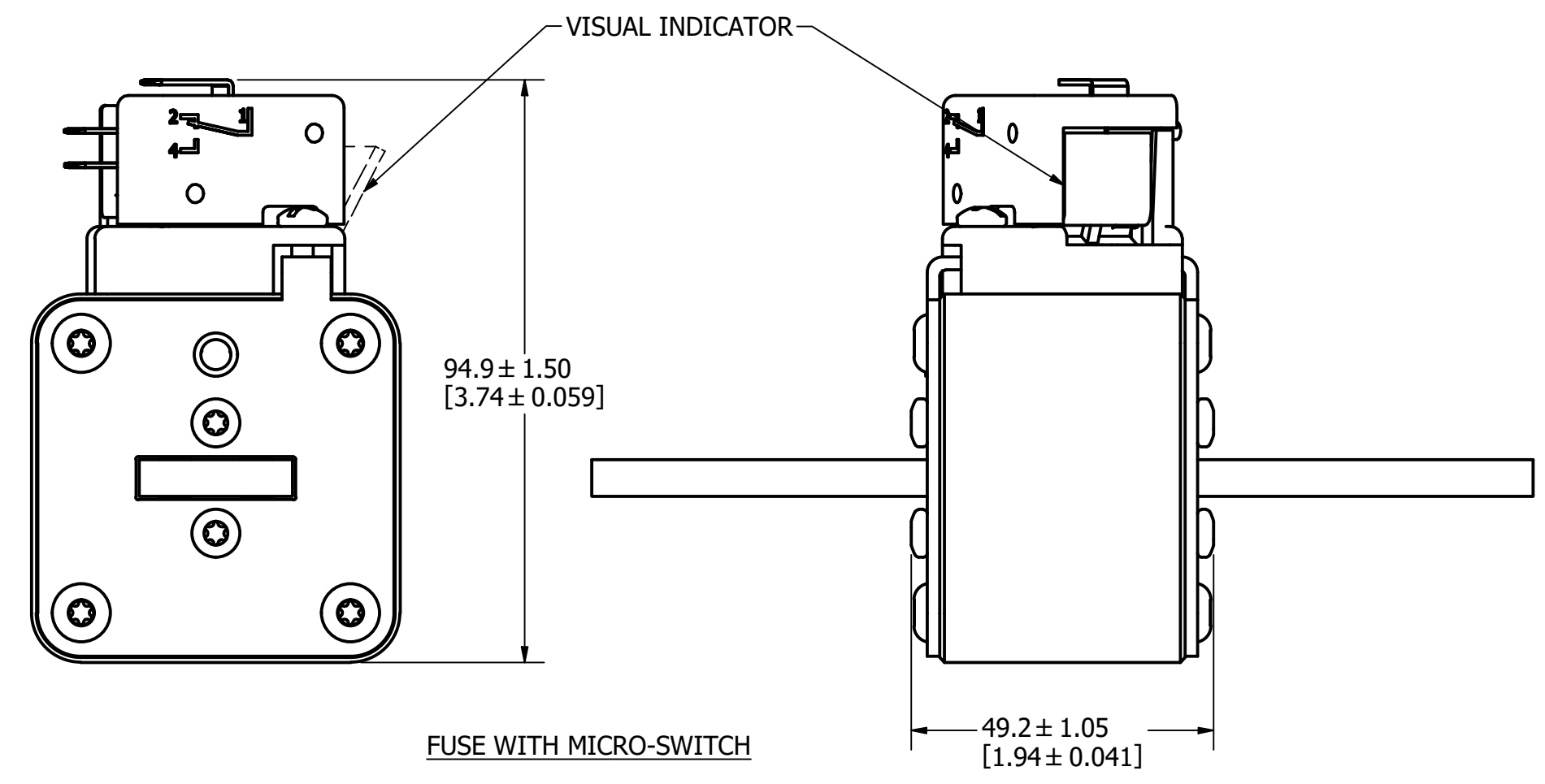
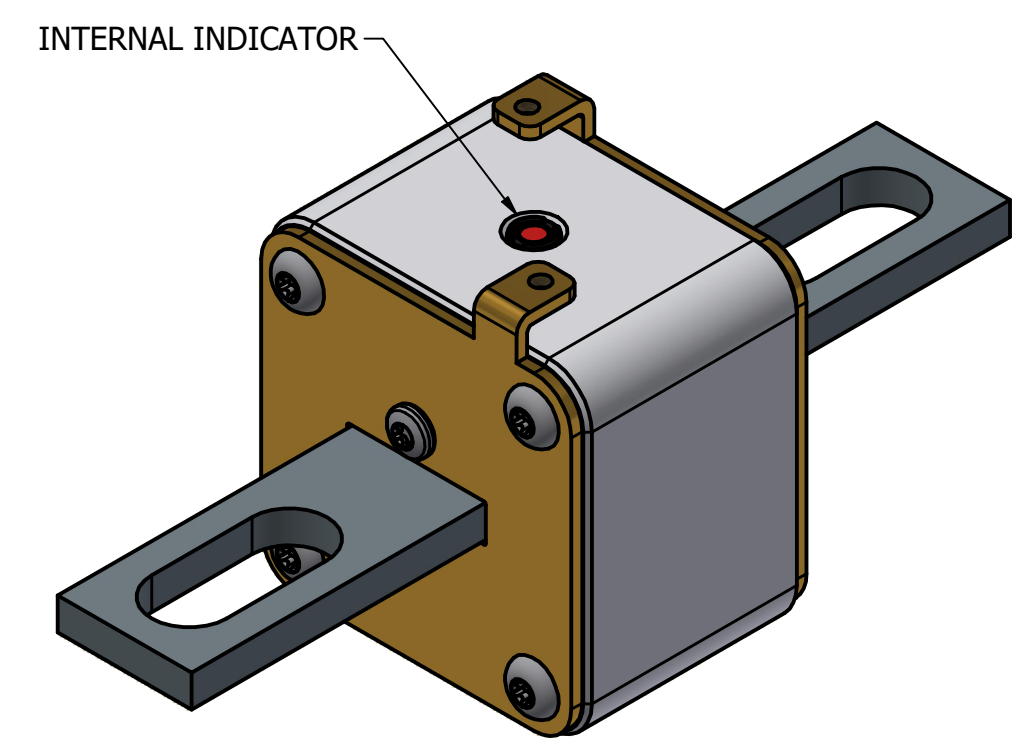
REVISION		
REV	DATE	DESCRIPTION
A	3/4/20	522052GCP - RELEASE MRY
B	5/10/22	525179ECP/D - CHANGE HEIGHT DIMENSION, ADD TOLERANCES MRY
C	1/18/24	526835ECP/D - ADDED VIEW WITHOUT MICRO-SWITCH JTM



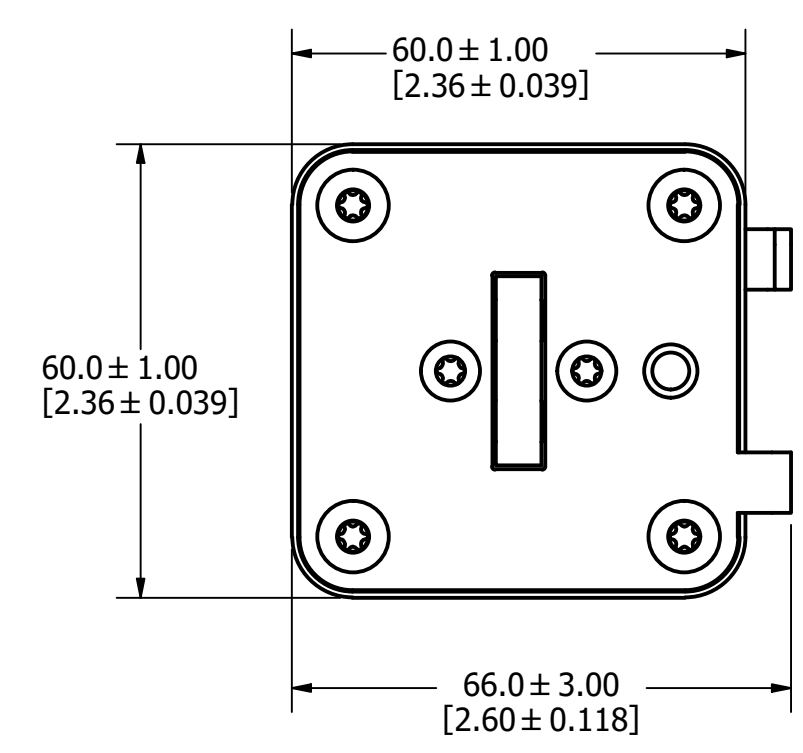
FUSE WITH MICRO-SWITCH



FUSE



FUSE WITH MICRO-SWITCH



FOR REFERENCE ONLY

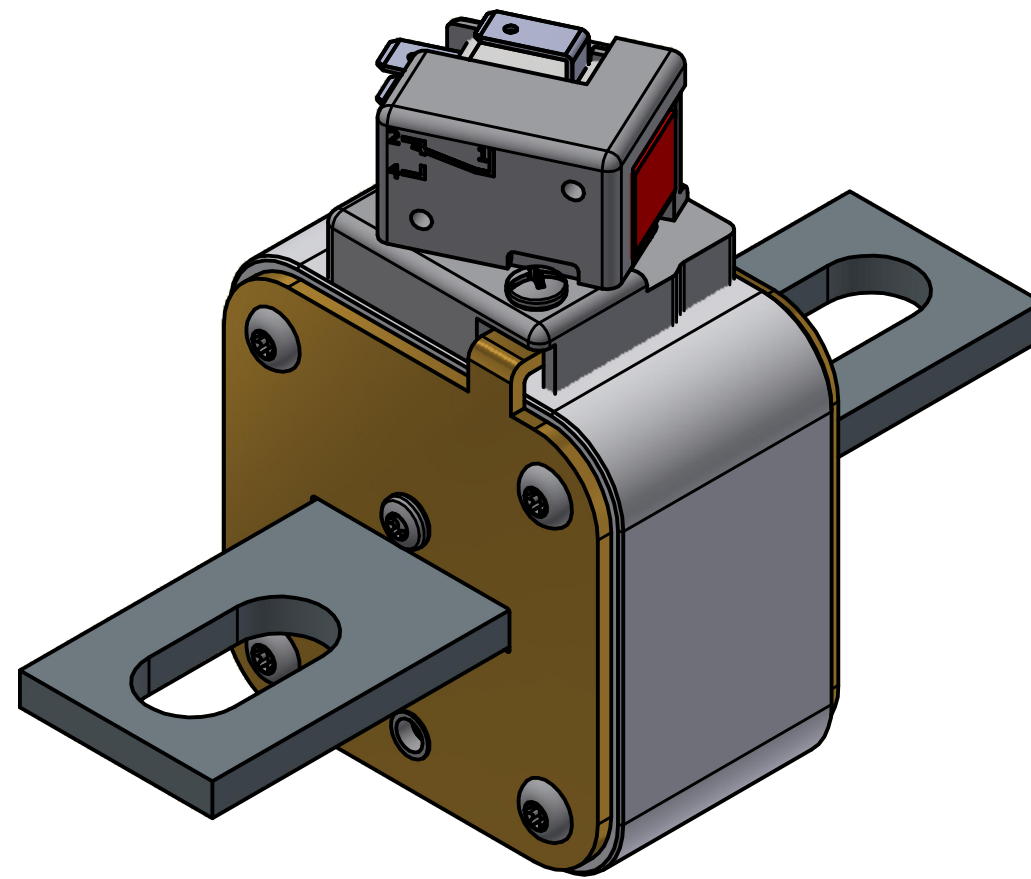
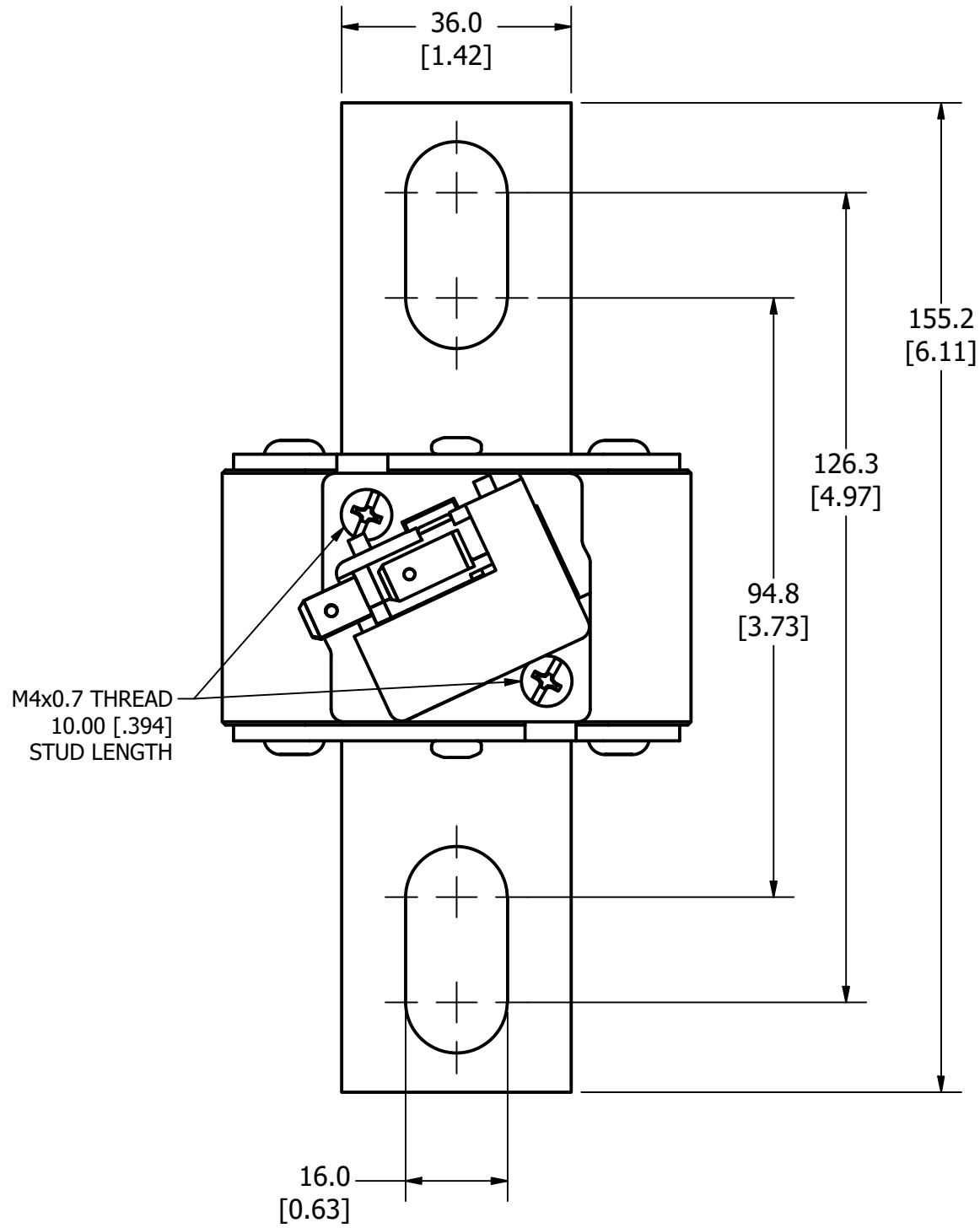
<S>	CRITICAL CHARACTERISTIC FOR PART SAFETY/COMPLIANCE		
●	DENOTES CRITICAL CHARACTERISTICS.		
CPK	DENOTES CPK DIMENSIONS, -MINIMUM CPK VALUE		
(ST)	DENOTES A CHARACTERISTIC THAT PROVIDES AN INDICATION OF PROCESS PERFORMANCE. PROCEDURE FOR MEASUREMENT AND TRACKING TO BE DEFINED IN LITTELFUSE INSPECTION INSTRUCTIONS.		
CP	DENOTES CP DIMENSIONS, -MINIMUM CP VALUE MUST BE WITHIN THE DIMENSIONAL LIMITATIONS SHOWN ON DRAWING AND INITIALLY LOCATED TO ALLOW FOR MAXIMUM TOOL LIFE.		
MATL SPEC		FINISH	
DRW myork	DATE 12/31/1969	SCALE NTS	FINISH GOOD WT GRAMS/PIECE
UNLESS OTHERWISE SPECIFIED, DIMENSIONS ARE IN MILLIMETERS, DIMENSIONS IN BRACKETS [] ARE INCHES DIMENSIONING AND DO NOT INCLUDE PLATING. TOLERANCING TO BE INTERPRETED IN ACCORDANCE WITH ANSI Y14.5M-1994			
3RD ANGLE PROJECTION			
TITLE PSR SIZE 32 NORTH AMERICAN LONG (UL) FUSE OUTLINE			
Littelfuse® CHICAGO, ILLINOIS 60631		REVISION C	DRWG NO. OL-PSR032UL0000 SHEET 1 OF 1

MOUNTING SPECS:

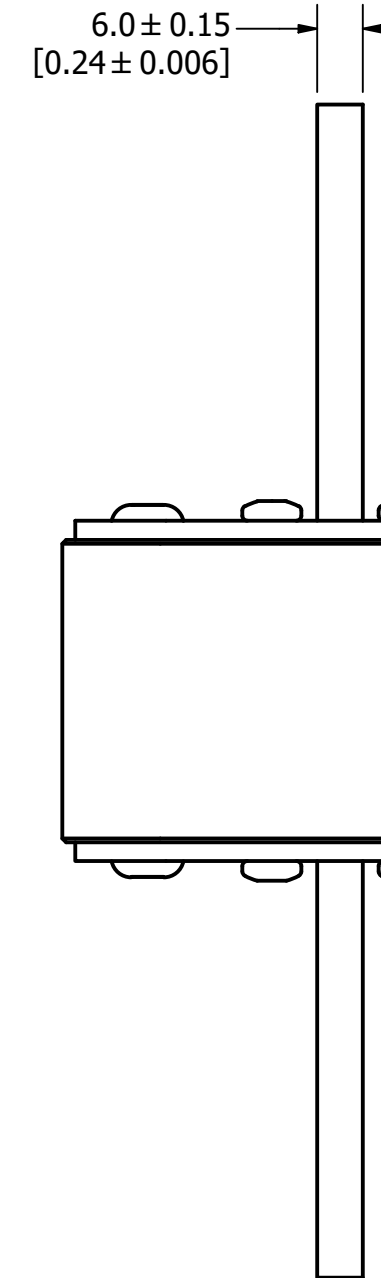
RECOMMENDED FASTENER: M14 OR 9/16"
TIGHTENING TORQUE (REFERENCE ONLY): 92Nm

REVISION		
REV	DATE	DESCRIPTION
A	3/4/20	522052GCP - RELEASE MRY
B	5/10/22	525179ECP/D - CHANGE HEIGHT DIMENSION, ADD TOLERANCES MRY
C	1/17/24	526835ECP/D - ADDED VIEW WITHOUT MICRO-SWITCH JTM

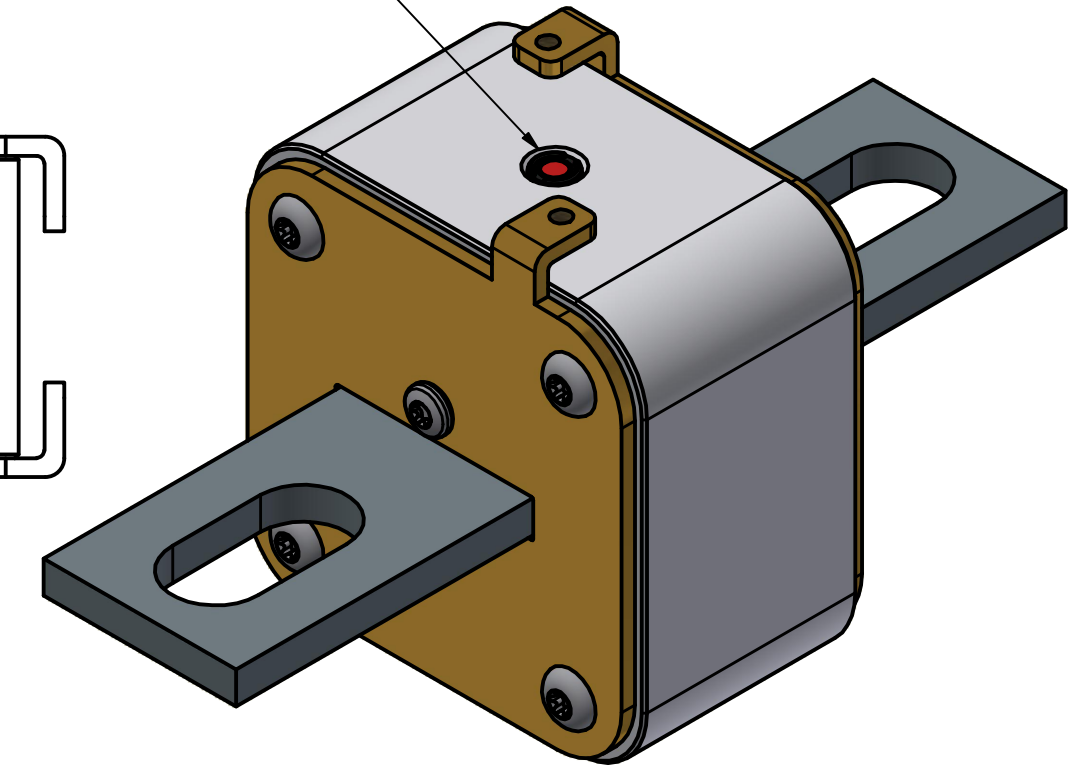
FUSE WITH MICRO-SWITCH



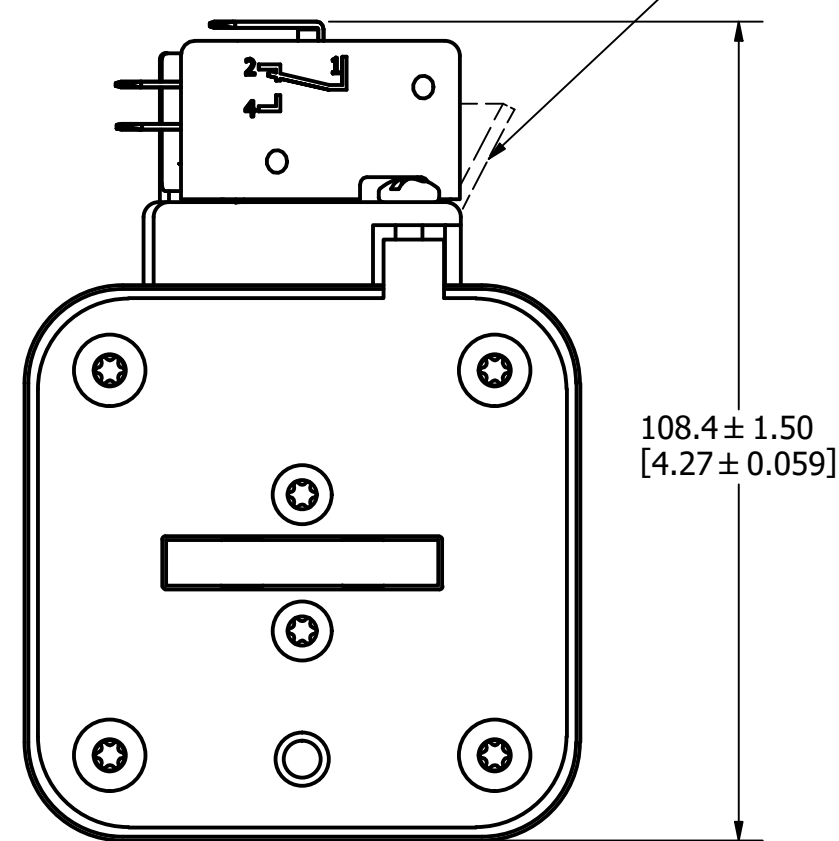
FUSE



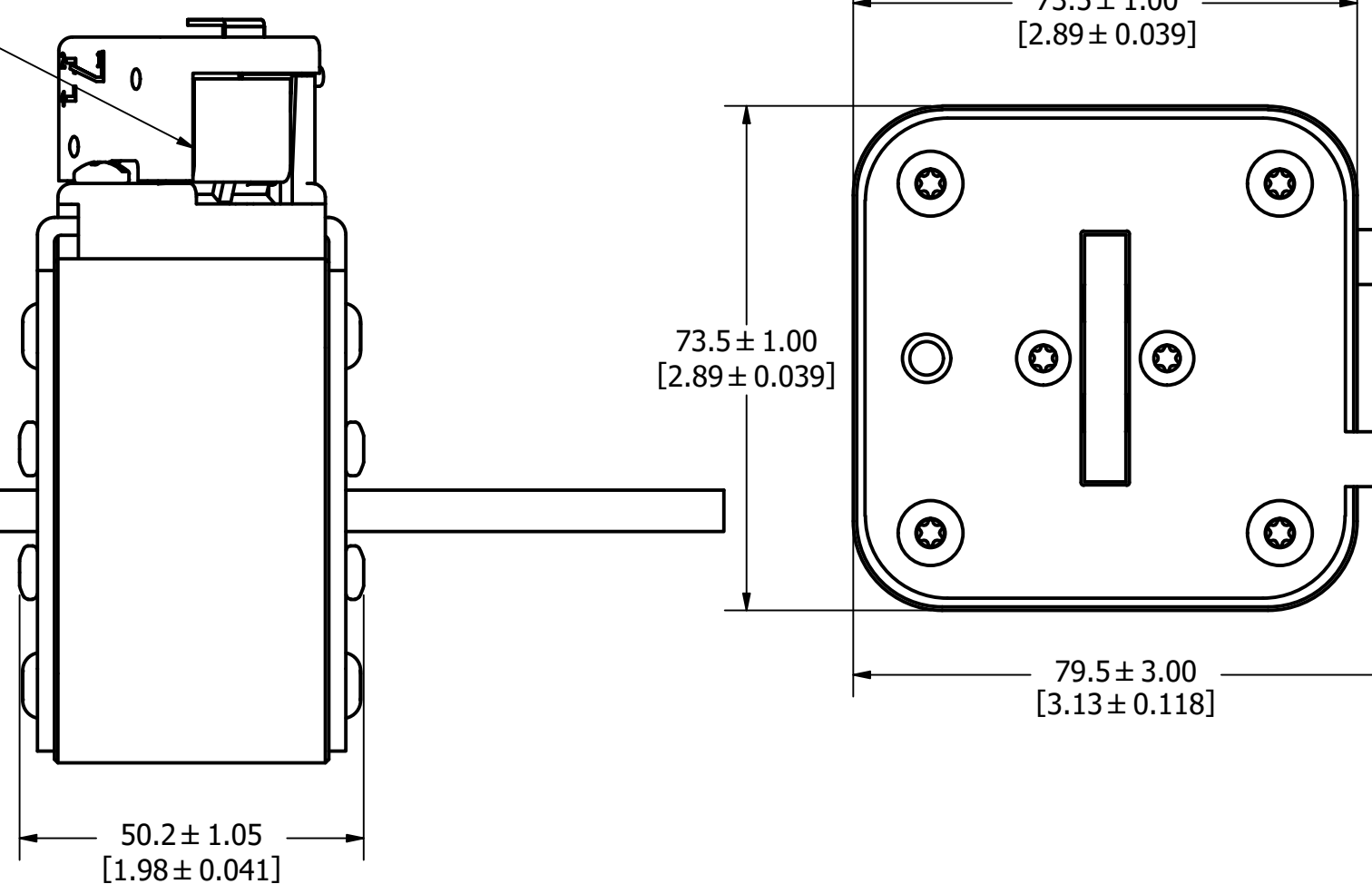
INTERNAL INDICATOR



VISUAL INDICATOR



FUSE WITH MICRO-SWITCH



FOR REFERENCE ONLY

<S>	CRITICAL CHARACTERISTIC FOR PART SAFETY/COMPLIANCE
●	DENOTES CRITICAL CHARACTERISTICS.
CPK	DENOTES CPK DIMENSIONS, -MINIMUM CPK VALUE
(ST)	DENOTES A CHARACTERISTIC THAT PROVIDES AN INDICATION OF PROCESS PERFORMANCE. PROCEDURE FOR MEASUREMENT AND TRACKING TO BE DEFINED IN LITTELFUSE INSPECTION INSTRUCTIONS.
CP	DENOTES CP DIMENSIONS, -MINIMUM CP VALUE MUST BE WITHIN THE DIMENSIONAL LIMITATIONS SHOWN ON DRAWING AND INITIALLY LOCATED TO ALLOW FOR MAXIMUM TOOL LIFE.

MATL SPEC	FINISH
DRW myork	DATE 12/31/1969
SCALE NTS	FINISH GOOD WT GRAMS/PIECE

UNLESS OTHERWISE SPECIFIED, DIMENSIONS ARE IN MILLIMETERS, DIMENSIONS IN BRACKETS [] ARE INCHES DIMENSIONING AND DO NOT INCLUDE PLATING. TOLERANCING TO BE INTERPRETED IN ACCORDANCE WITH ANSI Y14.5M-1994

3RD ANGLE PROJECTION	
----------------------	--

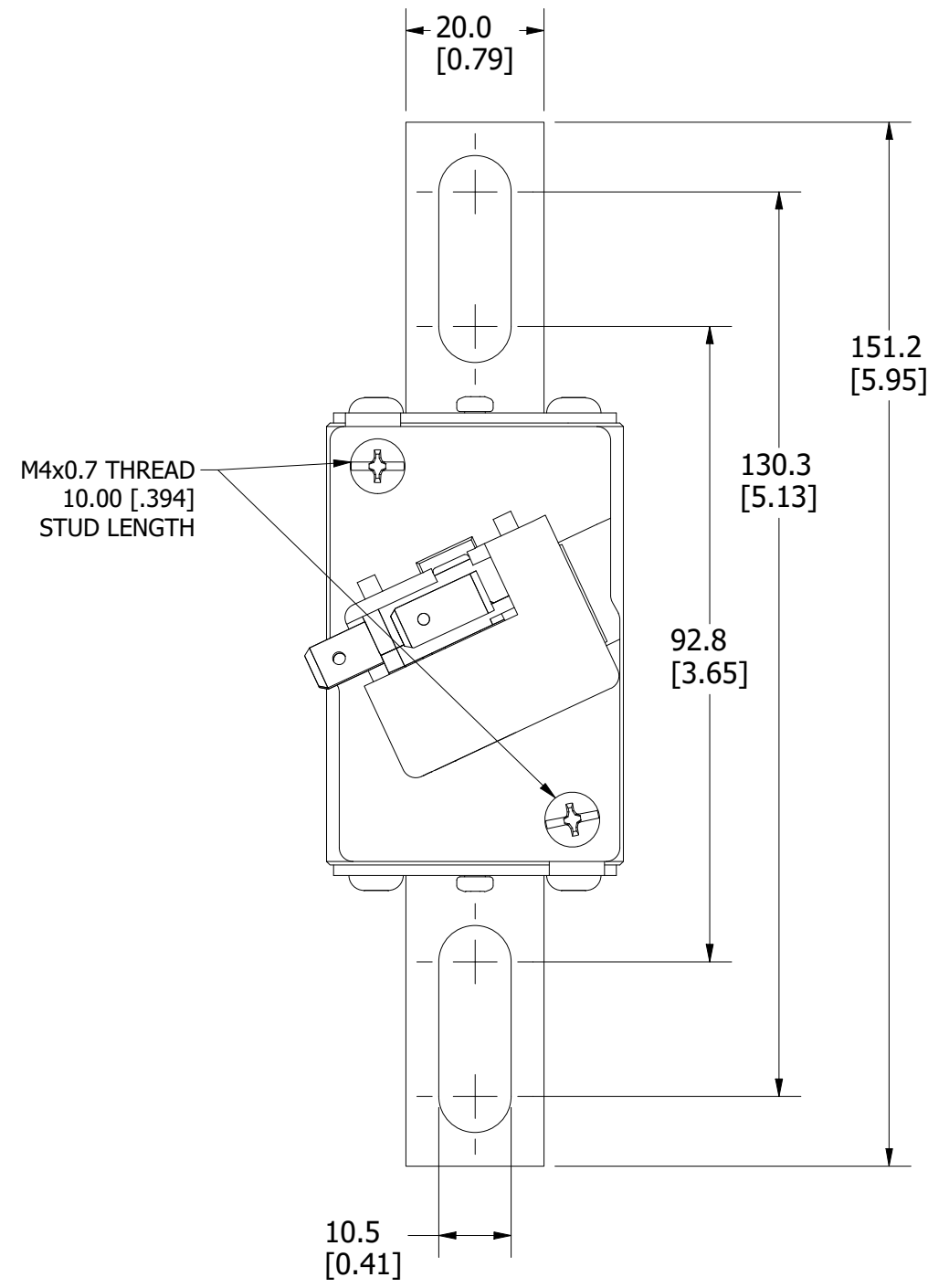
TITLE PSR SIZE 33 NORTH AMERICAN LONG (UL) FUSE OUTLINE

Littelfuse CHICAGO, ILLINOIS 60631	REVISION C	DRWG NO. OL-PSR033UL000	SHEET 1 OF 1
--	------------	-------------------------	--------------

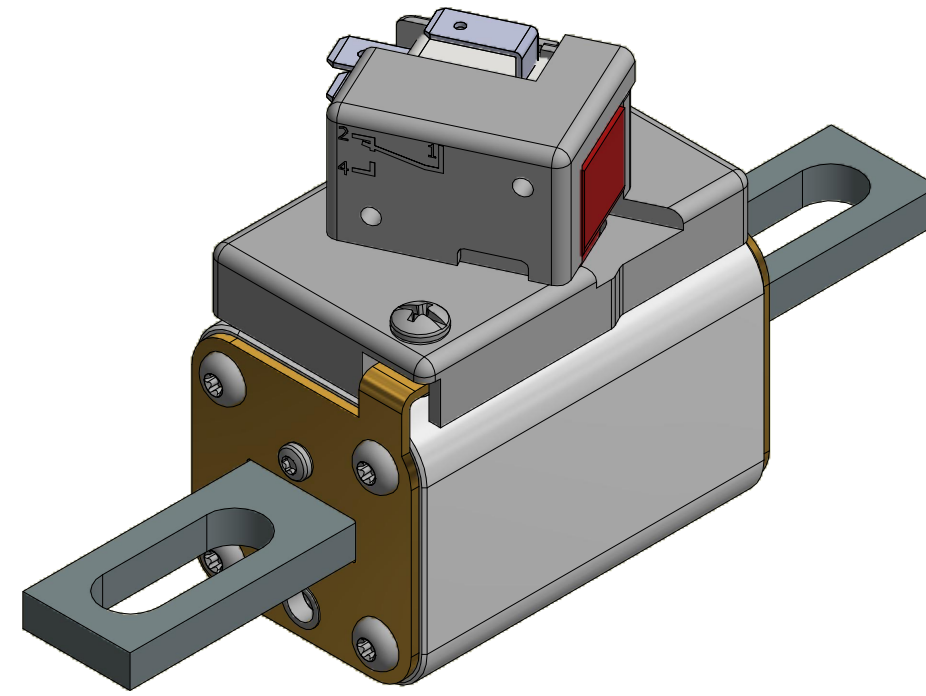
MOUNTING SPECS:

RECOMMENDED FASTENER: M10 OR 3/8"
TIGHTENING TORQUE (REFERENCE ONLY): 26Nm

REVISION		
REV	DATE	DESCRIPTION
A	3/4/20	522052GCP - RELEASE MRY
B	5/11/22	525180ECP/D - CHANGE HEIGHT DIMENSION, ADD TOLERANCES MRY
C	10/24/23	526836ECP/D - ADD VIEW W/O MICROSWITCH MRY

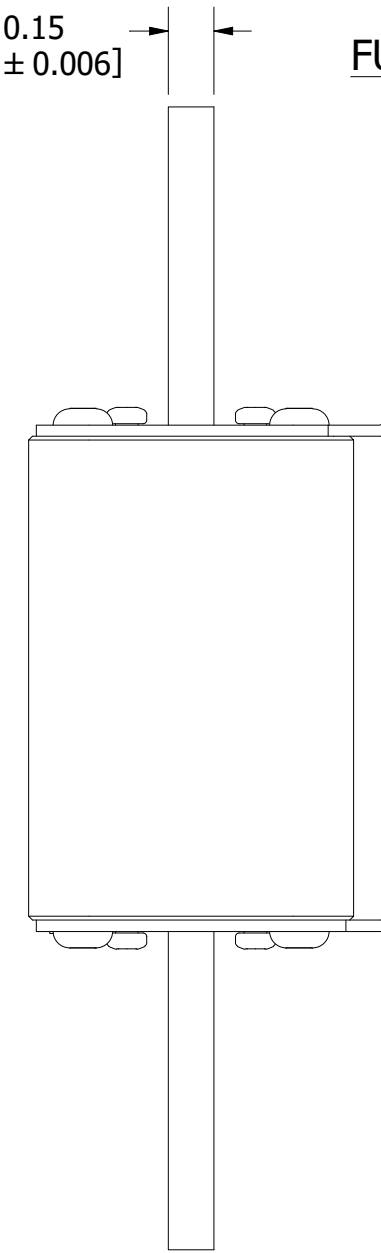


FUSE WITH MICROSWITCH

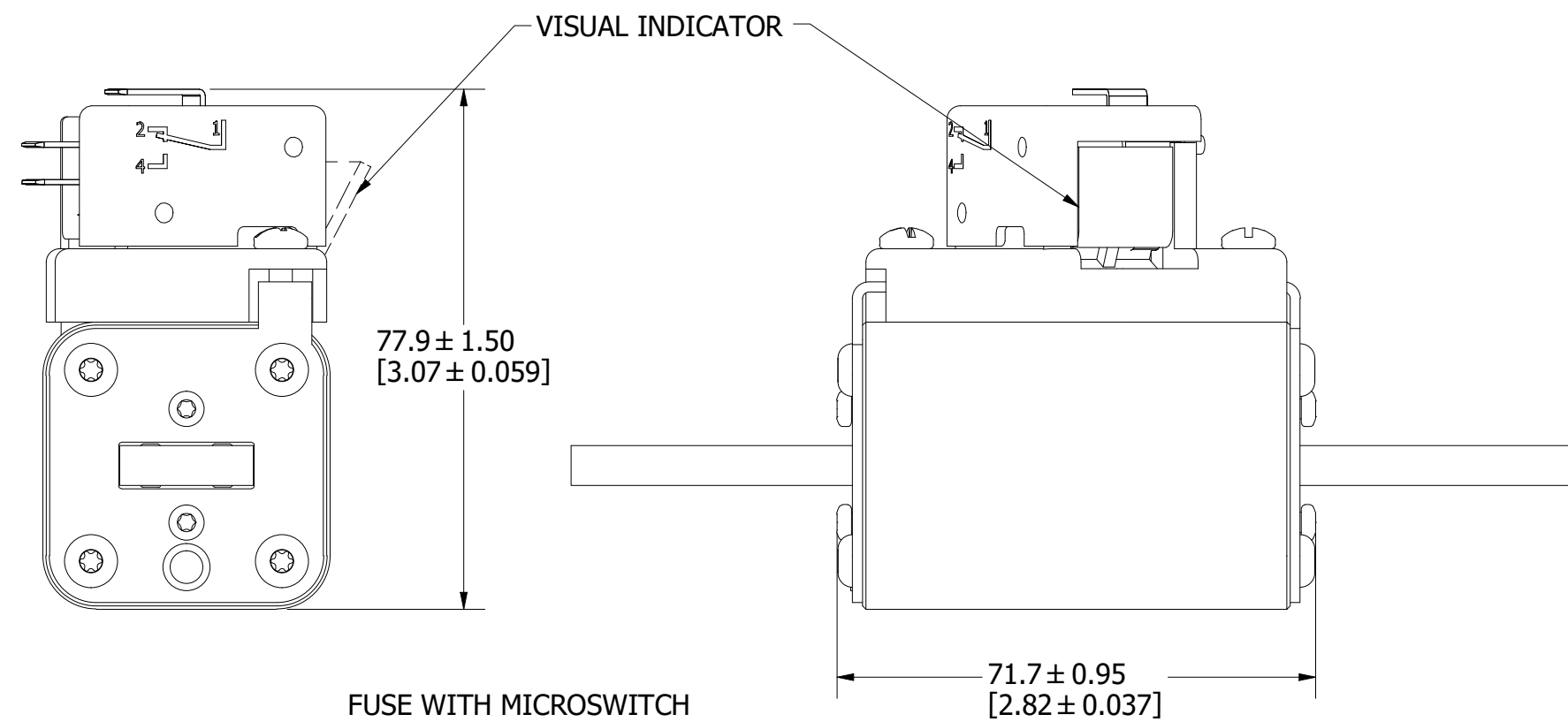
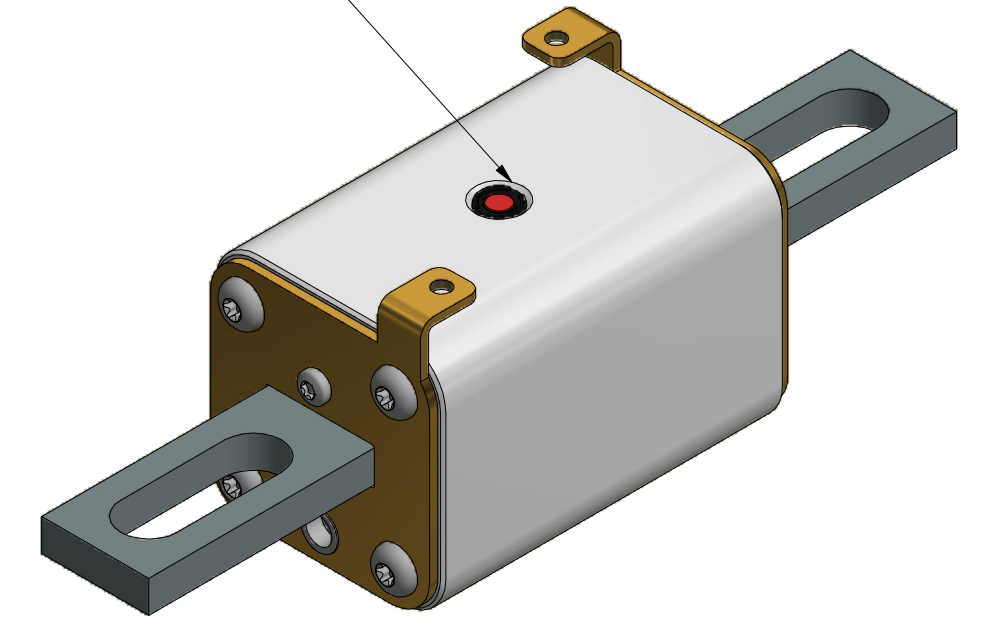


6.0 ± 0.15
[0.24 ± 0.006]

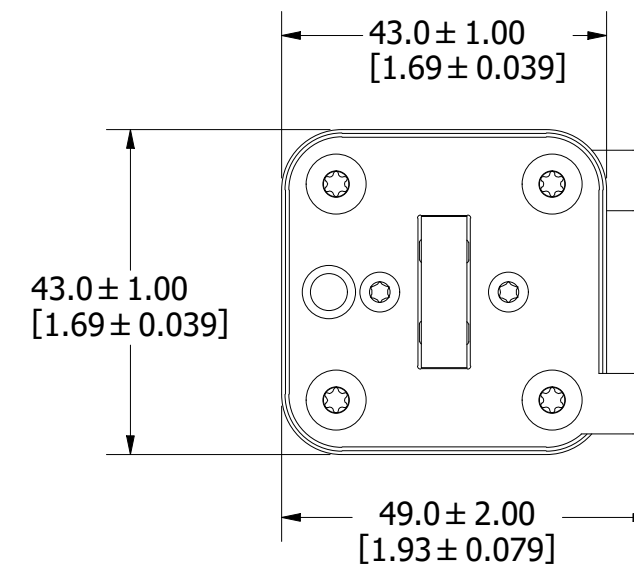
FUSE



INTERNAL INDICATOR



FUSE WITH MICROSWITCH



FOR REFERENCE ONLY

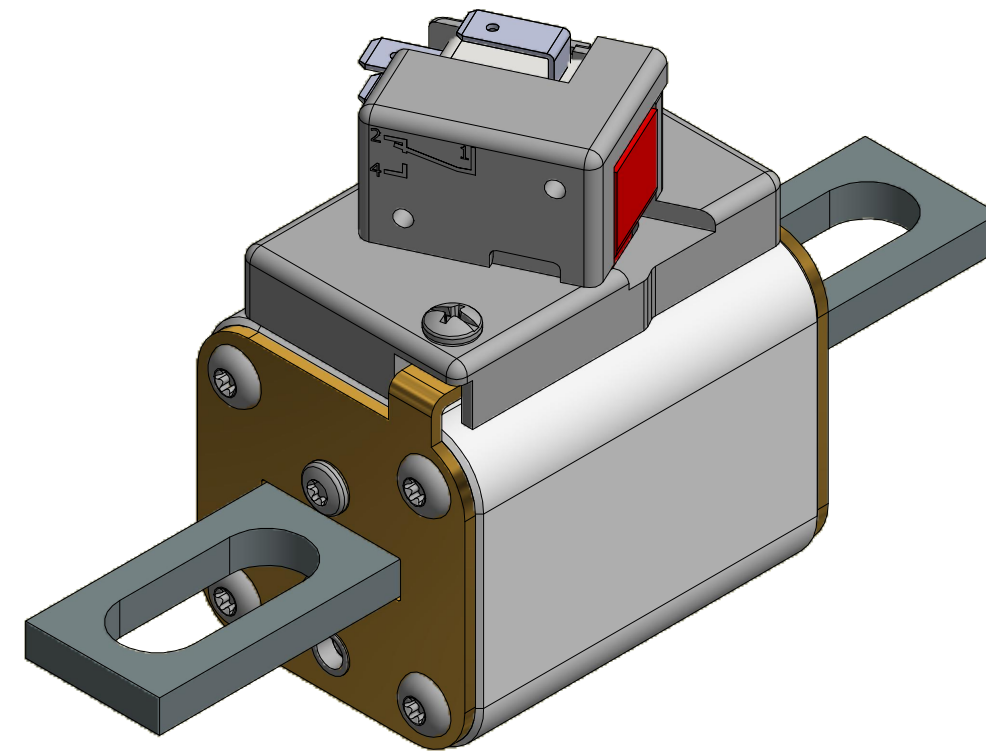
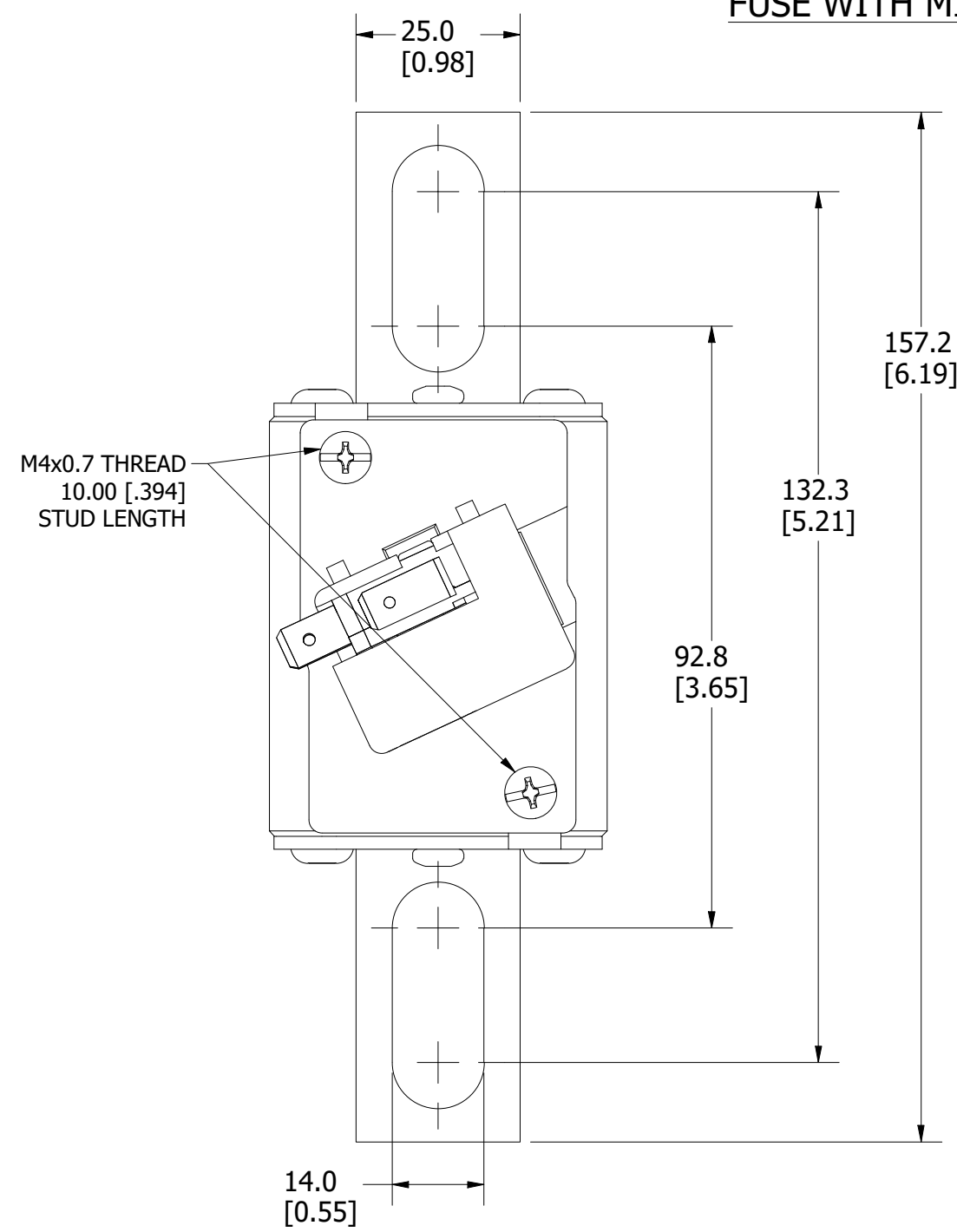
<S>	CRITICAL CHARACTERISTIC FOR PART SAFETY/COMPLIANCE		
●	DENOTES CRITICAL CHARACTERISTICS.		
CPK	DENOTES CPK DIMENSIONS, -MINIMUM CPK VALUE		
Ⓢ	DENOTES A CHARACTERISTIC THAT PROVIDES AN INDICATION OF PROCESS PERFORMANCE. PROCEDURE FOR MEASUREMENT AND TRACKING TO BE DEFINED IN LITTELFUSE INSPECTION INSTRUCTIONS.		
CP	DENOTES CP DIMENSIONS, -MINIMUM CP VALUE MUST BE WITHIN THE DIMENSIONAL LIMITATIONS SHOWN ON DRAWING AND INITIALLY LOCATED TO ALLOW FOR MAXIMUM TOOL LIFE.		
MATL SPEC		FINISH	
DRW myork	DATE 3/3/2020	SCALE NTS	FINISH GOOD WT GRAMS/PIECE
UNLESS OTHERWISE SPECIFIED, DIMENSIONS ARE IN MILLIMETERS, DIMENSIONS IN BRACKETS [] ARE INCHES DIMENSIONING AND DO NOT INCLUDE PLATING. TOLERANCING TO BE INTERPRETED IN ACCORDANCE WITH ANSI Y14.5M-1994			
3RD ANGLE PROJECTION			
TITLE PSR SIZE 70 NORTH AMERICAN LONG (UL) FUSE OUTLINE			
Littelfuse® CHICAGO, ILLINOIS 60631		REVISION C	DRWG NO. OL-PSR070UL0000 SHEET 1 OF 1

MOUNTING SPECS:

RECOMMENDED FASTENER: M12 OR 1/2"
TIGHTENING TORQUE (REFERENCE ONLY): 64Nm

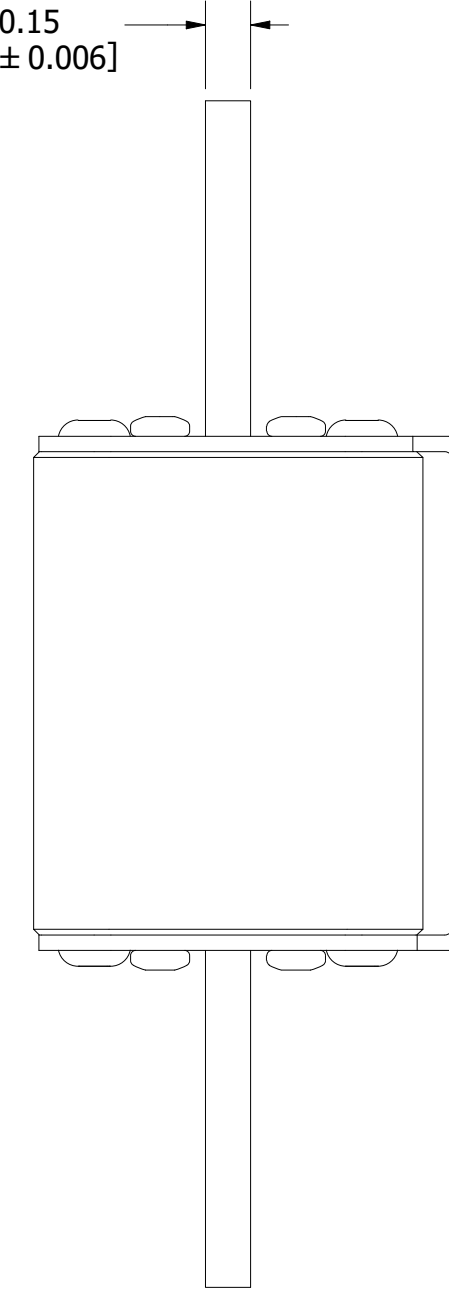
REVISION		
REV	DATE	DESCRIPTION
A	3/4/20	522052GCP - RELEASE MRY
B	5/11/22	525180ECP/D - CHANGE HEIGHT DIMENSION, ADD TOLERANCES MRY
C	5/18/22	525229ECP/D - CHANGE OVERALL LENGTH DIMENSION MRY
D	10/24/23	526836ECP/D - ADD VIEW W/O MICROSWITCH MRY

FUSE WITH MICROSWITCH

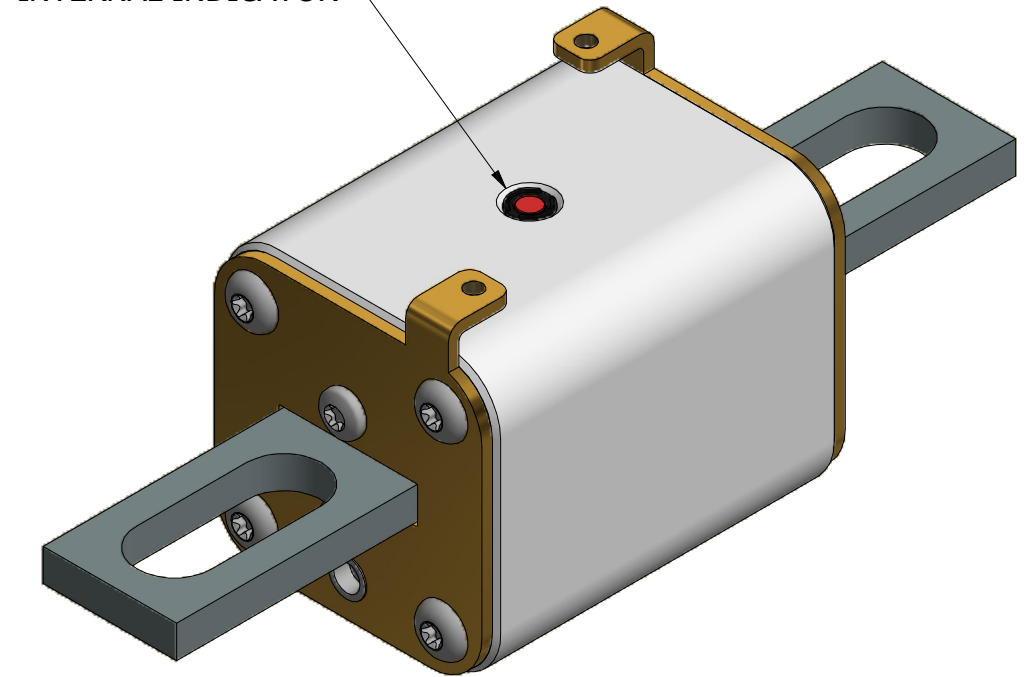


FUSE

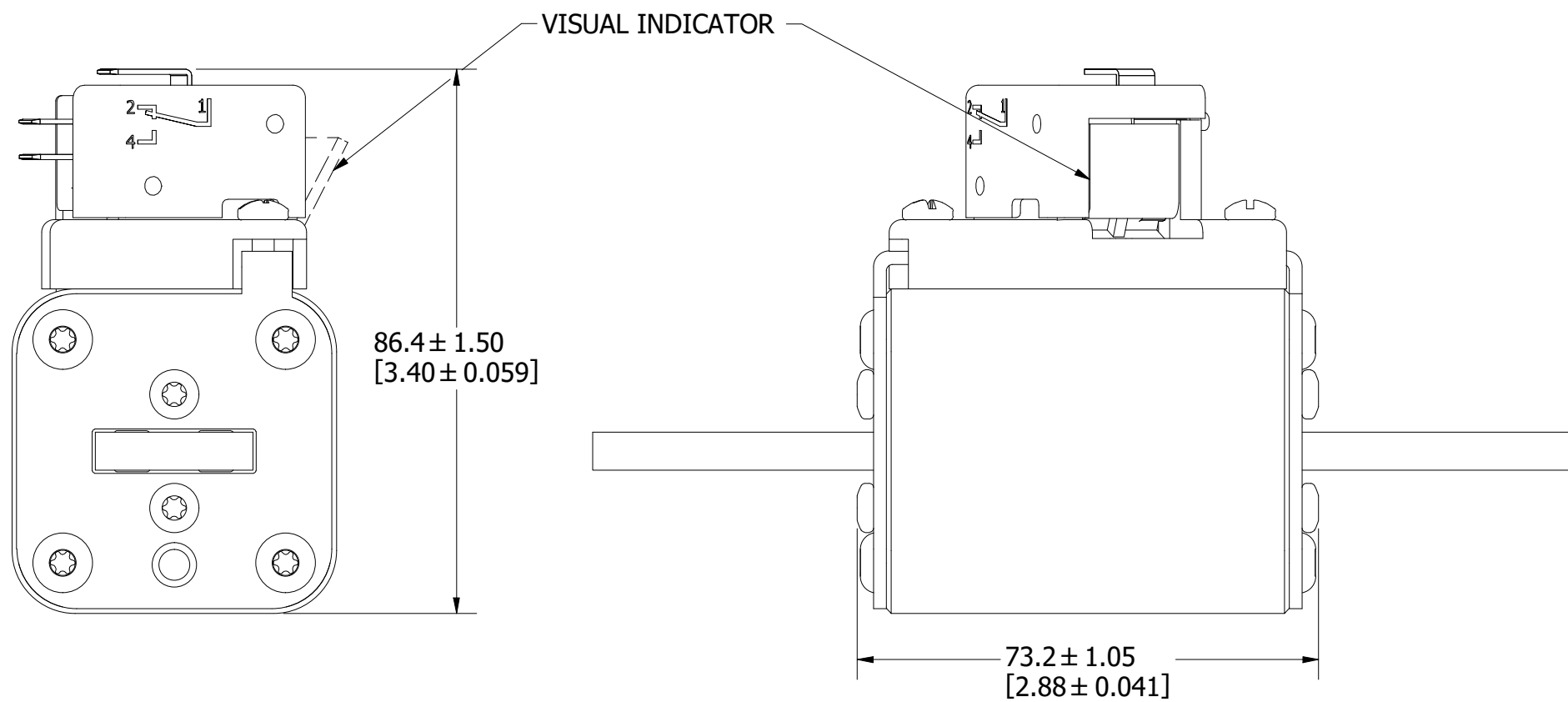
6.0 ± 0.15
[0.24 ± 0.006]



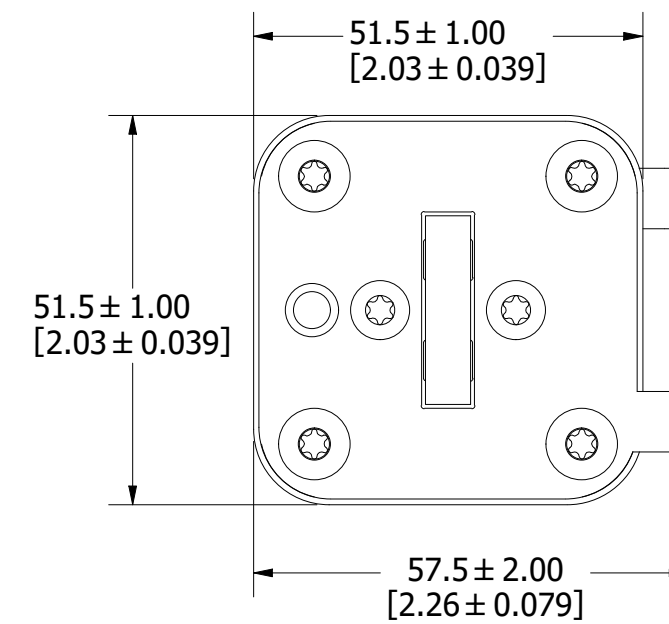
INTERNAL INDICATOR



VISUAL INDICATOR



FUSE WITH MICROSWITCH



FOR REFERENCE ONLY

<S>	CRITICAL CHARACTERISTIC FOR PART SAFETY/COMPLIANCE
●	DENOTES CRITICAL CHARACTERISTICS.
CPK	DENOTES CPK DIMENSIONS, -MINIMUM CPK VALUE
Ⓢ	DENOTES A CHARACTERISTIC THAT PROVIDES AN INDICATION OF PROCESS PERFORMANCE. PROCEDURE FOR MEASUREMENT AND TRACKING TO BE DEFINED IN LITTELFUSE INSPECTION INSTRUCTIONS.
CP	DENOTES CP DIMENSIONS, -MINIMUM CP VALUE MUST BE WITHIN THE DIMENSIONAL LIMITATIONS SHOWN ON DRAWING AND INITIALLY LOCATED TO ALLOW FOR MAXIMUM TOOL LIFE.

MATL SPEC	FINISH		
DRW myork	DATE 3/9/2020	SCALE NTS	FINISH GOOD WT GRAMS/PIECE

UNLESS OTHERWISE SPECIFIED, DIMENSIONS ARE IN MILLIMETERS, DIMENSIONS IN BRACKETS [] ARE INCHES DIMENSIONING AND DO NOT INCLUDE PLATING. TOLERANCING TO BE INTERPRETED IN ACCORDANCE WITH ANSI Y14.5M-1994

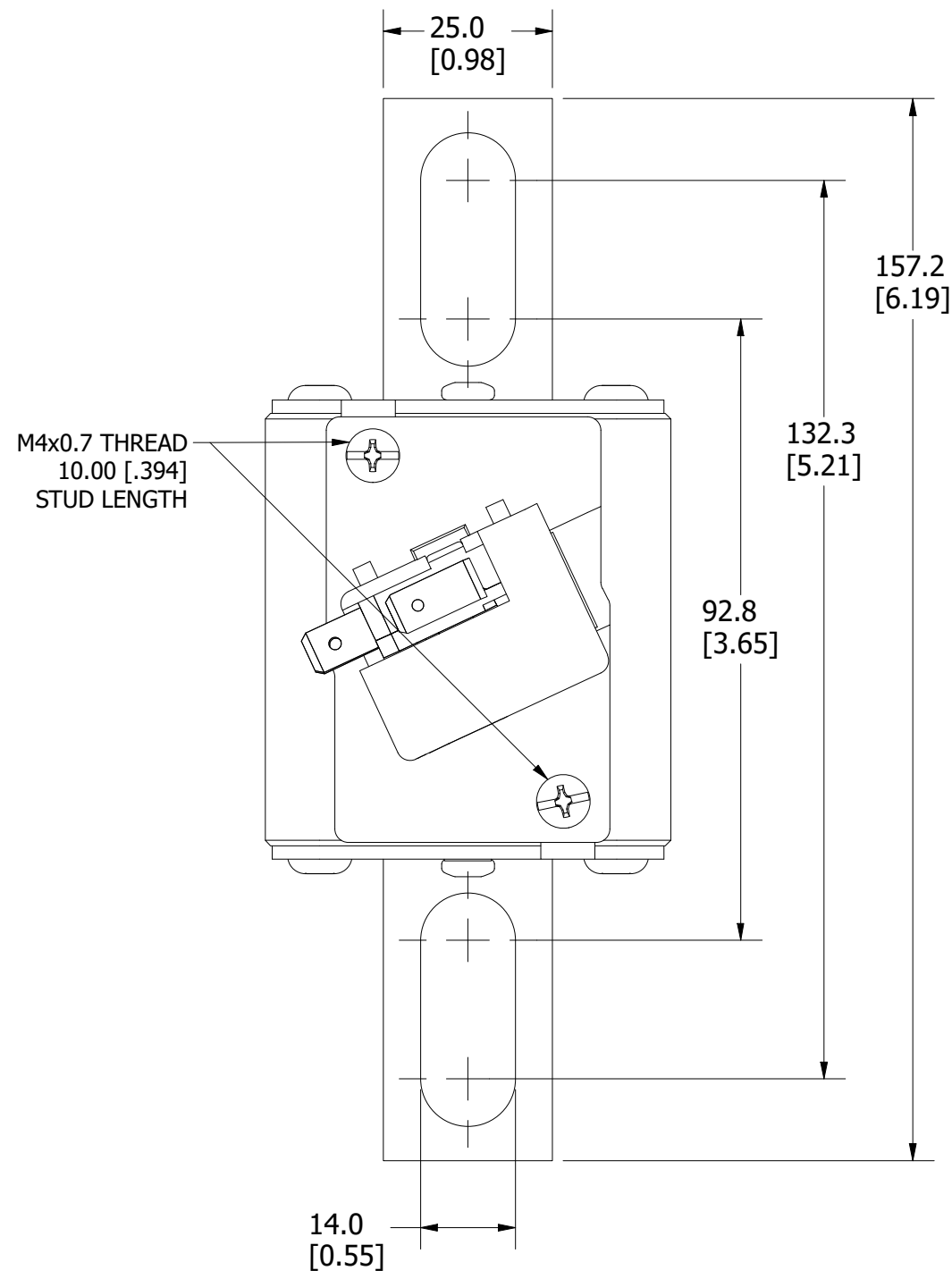
3RD ANGLE PROJECTION	
----------------------	--

TITLE PSR SIZE 71 NORTH AMERICAN LONG (UL) FUSE OUTLINE

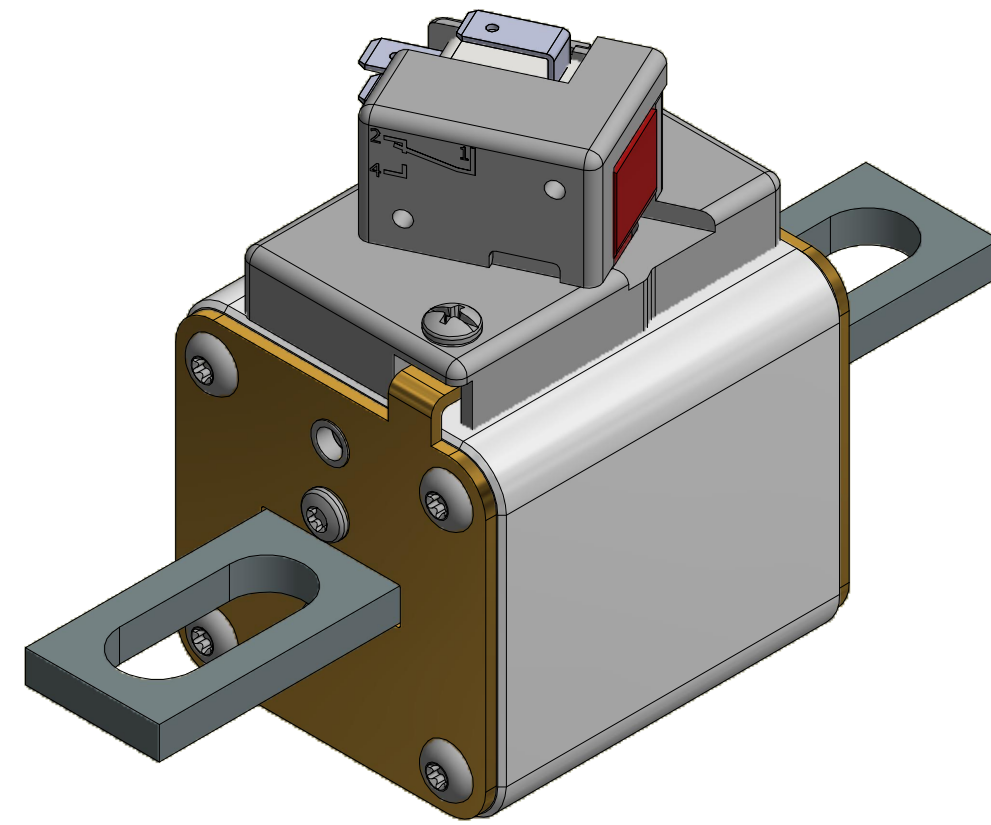
CHICAGO, ILLINOIS 60631	REVISION D	DRWG NO. OL-PSR071UL0000	SHEET 1 OF 1
-------------------------	------------	--------------------------	--------------

MOUNTING SPECS:

RECOMMENDED FASTENER: M12 OR 1/2"
TIGHTENING TORQUE (REFERENCE ONLY): 64Nm

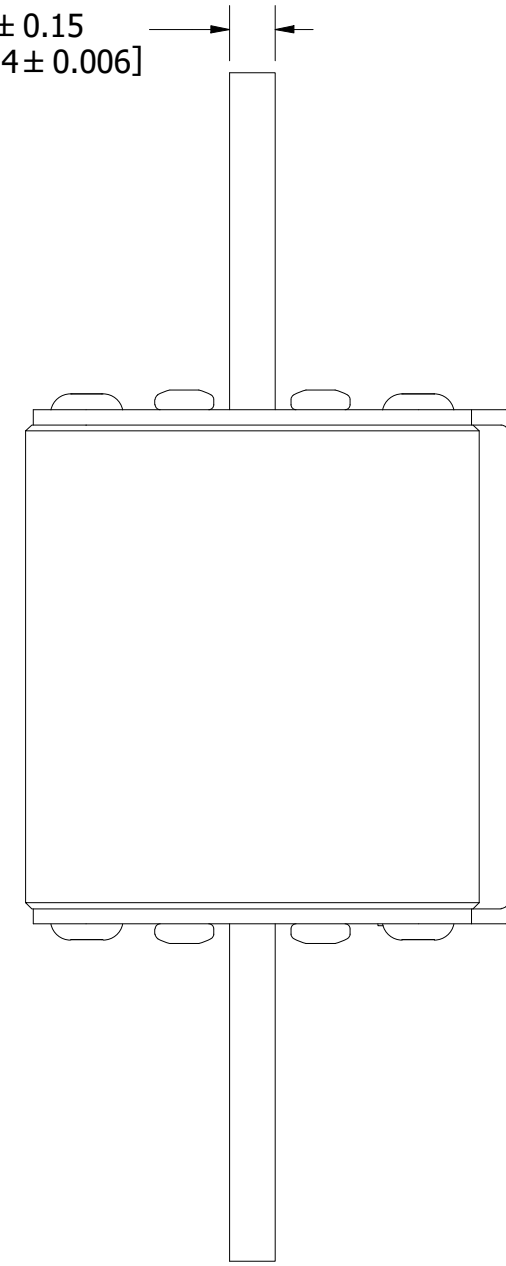


FUSE WITH MICROSWITCH

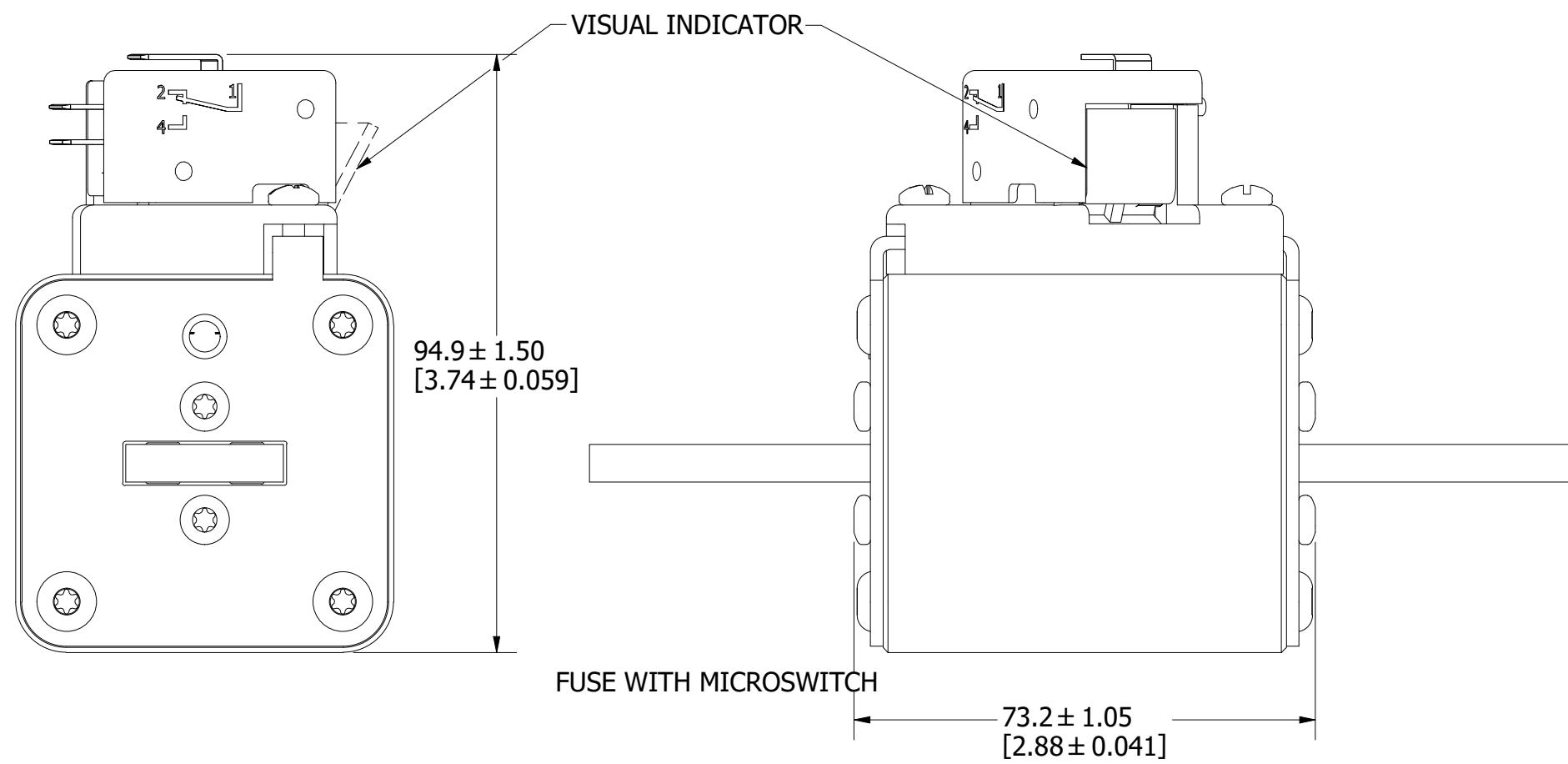
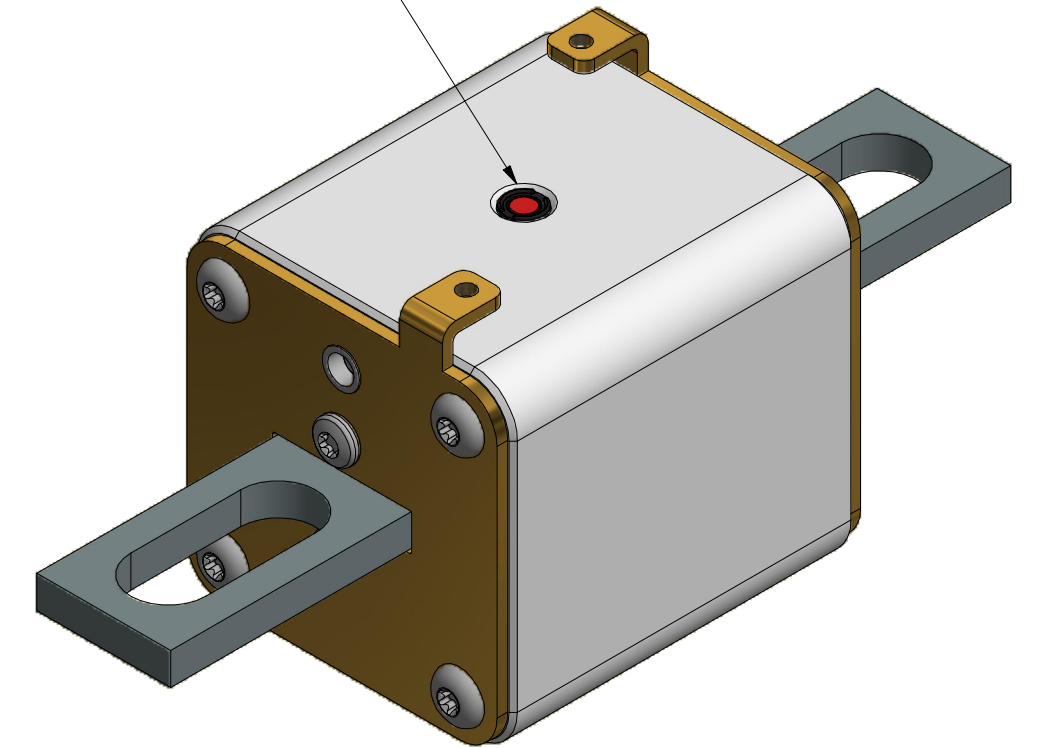


6.0 ± 0.15
 $[0.24 \pm 0.006]$

FUSE

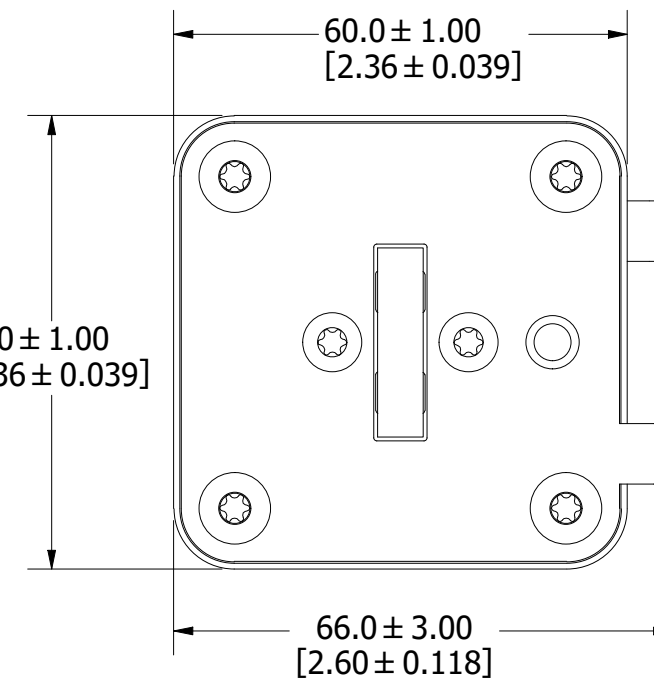


INTERNAL INDICATOR



FUSE WITH MICROSWITCH

60.0 ± 1.00
 $[2.36 \pm 0.039]$



FOR REFERENCE ONLY

REVISION		
REV	DATE	DESCRIPTION
A	3/4/20	522052GCP - RELEASE MRY
B	5/11/22	525180ECP/D - CHANGE HEIGHT DIMENSION, ADD TOLERANCES MRY
C	10/24/23	526836ECP/D - ADD VIEW W/O MICROSWITCH MRY

<S>	CRITICAL CHARACTERISTIC FOR PART SAFETY/COMPLIANCE
●	DENOTES CRITICAL CHARACTERISTICS.
CPK	DENOTES CPK DIMENSIONS, -MINIMUM CPK VALUE
ST	DENOTES A CHARACTERISTIC THAT PROVIDES AN INDICATION OF PROCESS PERFORMANCE. PROCEDURE FOR MEASUREMENT AND TRACKING TO BE DEFINED IN LITTELFUSE INSPECTION INSTRUCTIONS.
CP	DENOTES CP DIMENSIONS, -MINIMUM CP VALUE MUST BE WITHIN THE DIMENSIONAL LIMITATIONS SHOWN ON DRAWING AND INITIALLY LOCATED TO ALLOW FOR MAXIMUM TOOL LIFE.

MATL SPEC	FINISH		
DRW myork	DATE 3/3/2020	SCALE NTS	FINISH GOOD WT GRAMS/PIECE

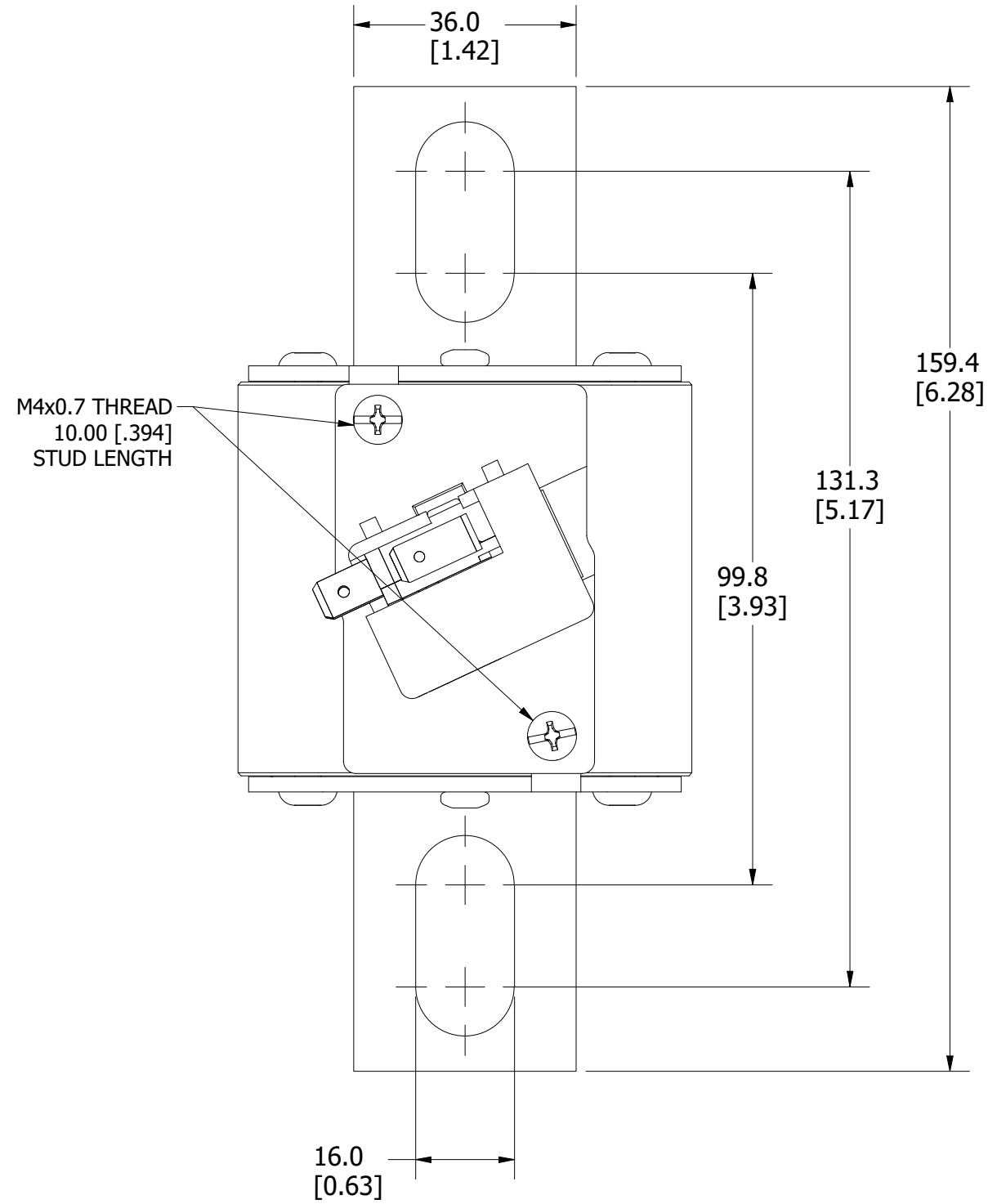
UNLESS OTHERWISE SPECIFIED, DIMENSIONS ARE IN MILLIMETERS, DIMENSIONS IN BRACKETS [] ARE INCHES DIMENSIONING AND DO NOT INCLUDE PLATING. TOLERANCING TO BE INTERPRETED IN ACCORDANCE WITH ANSI Y14.5M-1994

3RD ANGLE PROJECTION	
----------------------	--

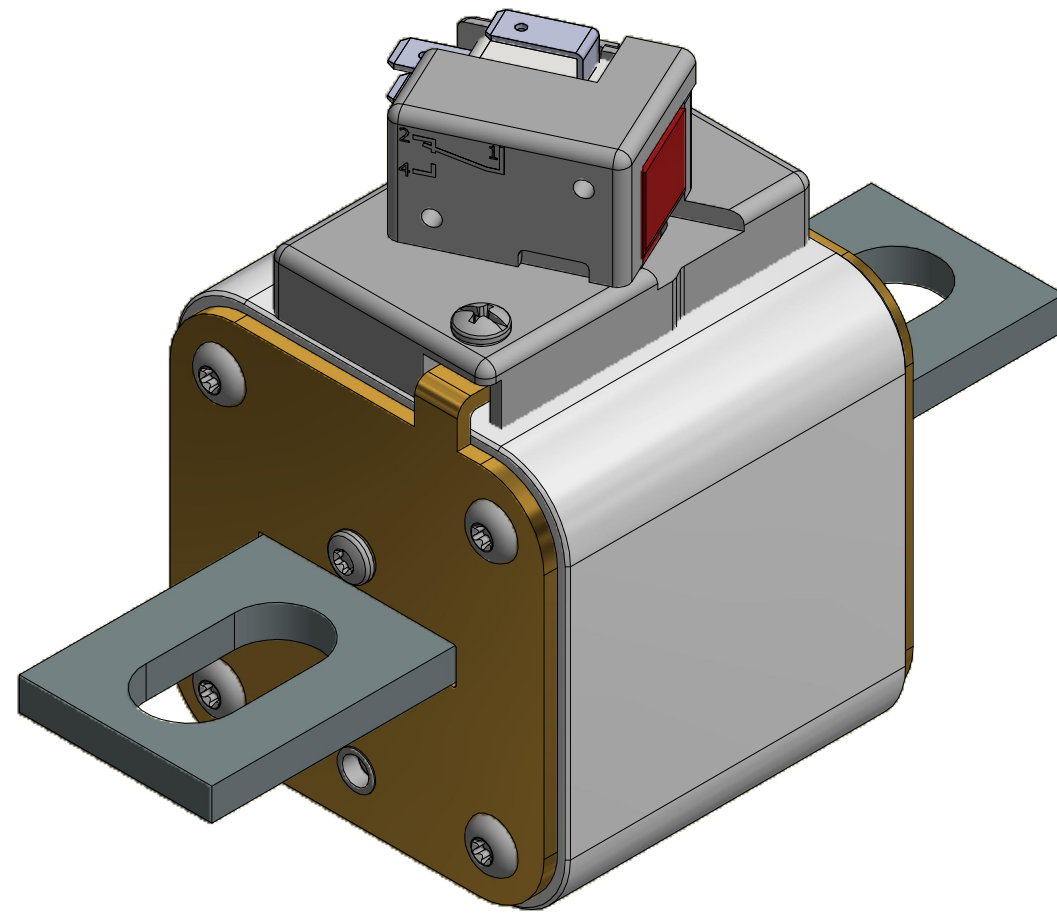
TITLE PSR SIZE 72 NORTH AMERICAN LONG (UL) FUSE OUTLINE

MOUNTING SPECS:

RECOMMENDED FASTENER: M14 OR 9/16"
TIGHTENING TORQUE (REFERENCE ONLY): 92Nm

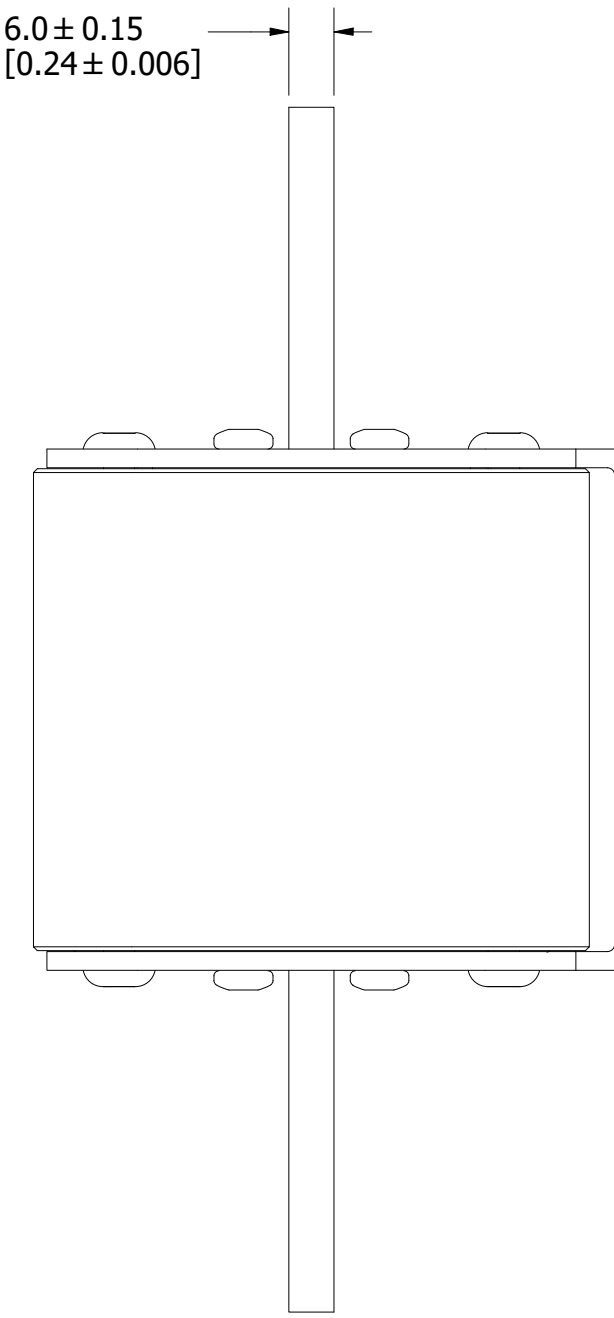


FUSE WITH MICROSWITCH

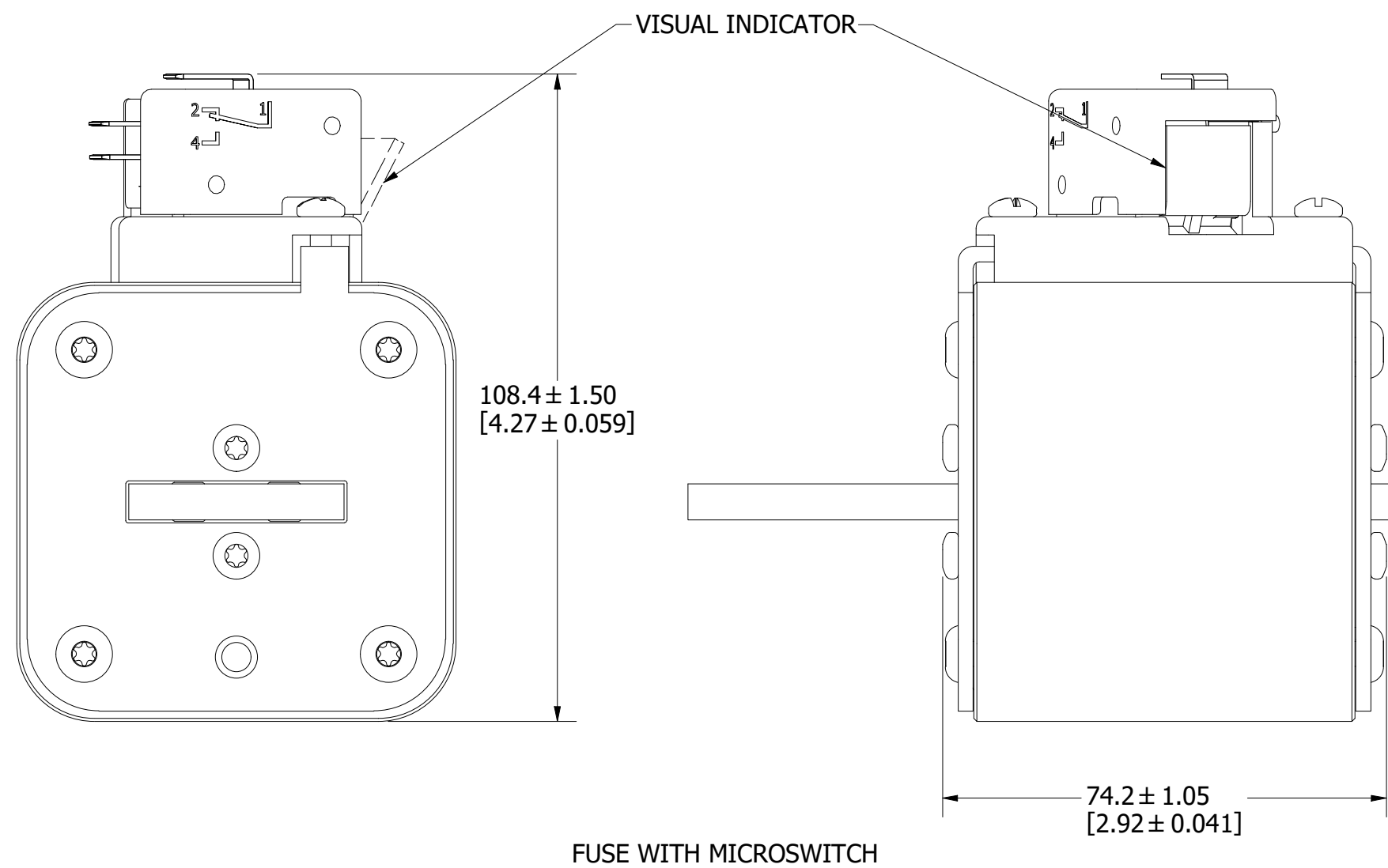
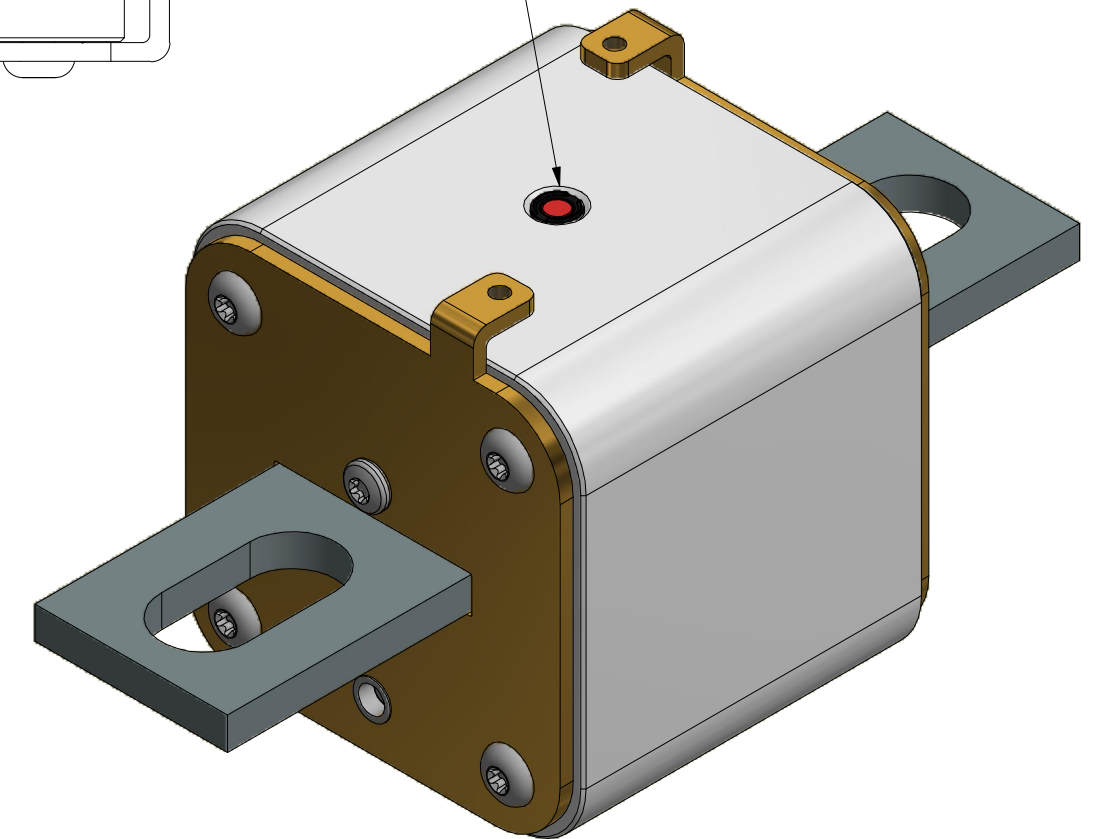


6.0 ± 0.15
[0.24 ± 0.006]

FUSE

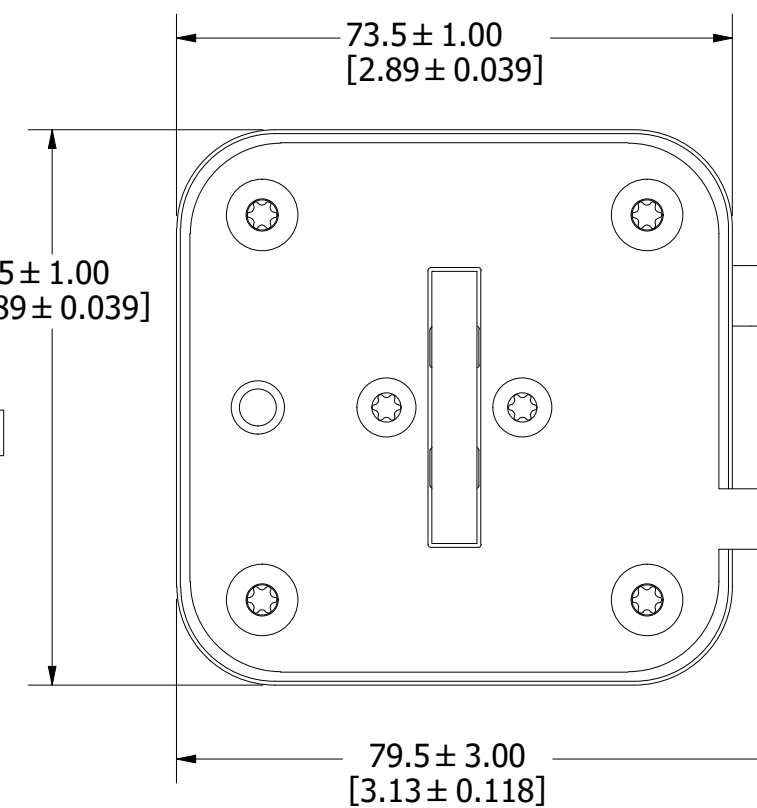


INTERNAL INDICATOR



FUSE WITH MICROSWITCH

73.5 ± 1.00
[2.89 ± 0.039]



FOR REFERENCE ONLY

REVISION		
REV	DATE	DESCRIPTION
A	3/4/20	522052GCP - RELEASE MRY
B	5/11/22	525180ECP/D - CHANGE HEIGHT DIMENSION, ADD TOLERANCES MRY
C	10/24/23	526836ECP/D - ADD VIEW W/O MICROSWITCH MRY

<S>	CRITICAL CHARACTERISTIC FOR PART SAFETY/COMPLIANCE
●	DENOTES CRITICAL CHARACTERISTICS.
CPK	DENOTES CPK DIMENSIONS, -MINIMUM CPK VALUE
ST	DENOTES A CHARACTERISTIC THAT PROVIDES AN INDICATION OF PROCESS PERFORMANCE. PROCEDURE FOR MEASUREMENT AND TRACKING TO BE DEFINED IN LITTELFUSE INSPECTION INSTRUCTIONS.
CP	DENOTES CP DIMENSIONS, -MINIMUM CP VALUE MUST BE WITHIN THE DIMENSIONAL LIMITATIONS SHOWN ON DRAWING AND INITIALLY LOCATED TO ALLOW FOR MAXIMUM TOOL LIFE.

MATL SPEC	FINISH
DRW myork	DATE 3/3/2020
SCALE NTS	FINISH GOOD WT GRAMS/PIECE

UNLESS OTHERWISE SPECIFIED, DIMENSIONS ARE IN MILLIMETERS, DIMENSIONS IN BRACKETS [] ARE INCHES DIMENSIONING AND DO NOT INCLUDE PLATING. TOLERANCING TO BE INTERPRETED IN ACCORDANCE WITH ANSI Y14.5M-1994

3RD ANGLE PROJECTION	TITLE
	PSR SIZE 73 NORTH AMERICAN LONG (UL) FUSE OUTLINE

Littelfuse CHICAGO, ILLINOIS 60631	REVISION C	DRWG NO. OL-PSR073UL0000	SHEET 1 OF 1
--	---------------	-----------------------------	--------------