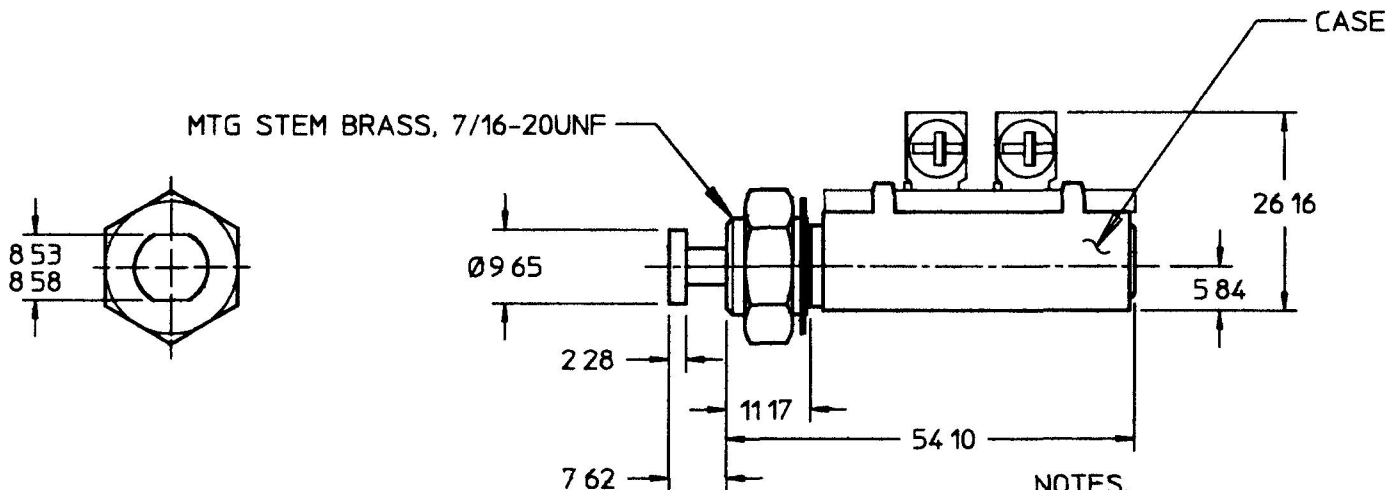
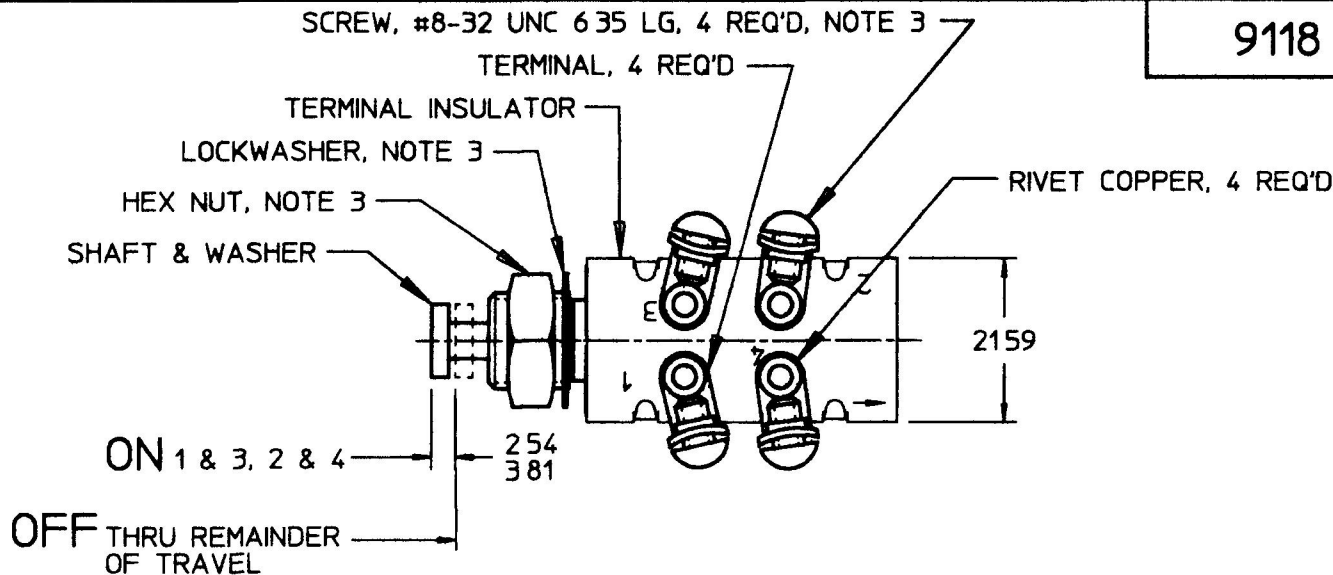


MM	IN
2 28	0 090
2 54	0 100
3 81	0 150
5 84	0 230
7 62	0 300
8 53	0 336
8 58	0 338
9 65	0 380
11 17	0 440
21 59	0 850
26 16	1 030
54 10	2 130



- NOTES.
- 1 ALL STEEL PARTS ARE PLATED
  - 2 ALL DIMENSIONS ARE REFERENCE UNLESS NOTED OTHERWISE
  - 3 PARTS MAY BE ASSEMBLED OR SUPPLIED IN A PLASTIC BAG

METRIC

DO NOT SCALE

LET	WAS	DATE	BY	LET	WAS	DATE	BY	MATERIAL	DRAWN	CHK	APVD	SCALE	DATE DRAWN
									SN	JMP		11	12/21/50
								FINISH	<b>Cole Hersee Co.</b> 20 OLD COLONY AVENUE, BOSTON, MA, U.S.A., 02127				DATE BLUEPRINTED
				J	PUT ON CAD ECN #26936	7/29/97	AJS	TOLERANCES DECIMAL ± ANGLE ±	SWITCH, MOM, DPST				9118