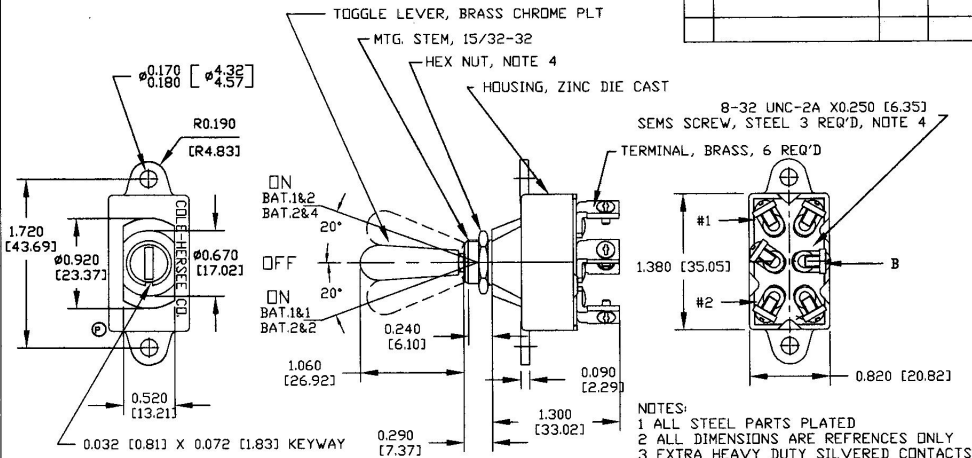


### Revision Control Record

Rev.	Description of Change	ECN No.	Date
P	DELETE 'BOSTON U.S.A.'	05040	01/18/05



- NOTES:**
- 1 ALL STEEL PARTS PLATED
  - 2 ALL DIMENSIONS ARE REFERENCES ONLY
  - 3 EXTRA HEAVY DUTY SILVERED CONTACTS
  - 4 HEX NUTS & SCREWS TO BE BAGGED
  5. 12V DC-- 30AMP LAMP LOAD  
35AMP INDUCTIVE LOAD

**Tolerances:** Unless otherwise specifically noted, the following are default tolerances:  
 • 3-place Decimal Dimensions  $\pm .02$   
 • 3-place Decimal Dimensions  $\pm .005$   
 • Angular Dimensions  $\pm 1.0$  Deg  
 • Metric: Refer to equivalent English Dimension Tolerance  
 >>> NOTE: All tolerances are Non-Cumulative. <<<

**Dimensional Units:** All dimensions are expressed in inches except those shown in brackets (xxx) are expressed in millimeters

**"REF" or "AS AMERICAN"** is a Non-Toleranced Reference Dimension, shown for clarification purposes only.

**PROPRIETARY INFORMATION:** This Engineering Drawing, and the information contained herein, is proprietary to Cole Hersee Company and may not be disclosed, re-produced, or in any other way transferred or communicated to any other party without the express written consent of an authorized representative of Cole Hersee Company.

**DESIGN CONTROL:** It is the responsibility of the individual using/referencing this drawing to assure that the noted design revision level agrees with the revision level of the Controlled Document (Master Drawing). This is a NON-CONTROLLED DOCUMENT unless otherwise specifically noted.

**DO NOT SCALE:** Dimensional variation may occur during printing/reproduction.

Key for Special Characteristics:

⊕ Critical Characteristic, relating to Safety and/or Regulatory Compliance

ⓧ Significant Characteristic relating to Process Control (SPC)

Ⓞ Control Dimension relating to Form - Fit - Function as defined by Cole Hersee Company and/or the Customer

(Note that the identification of any Characteristics as being "Special" does not alter the requirement that ALL specified dimensions & tolerances must be met.)

**Cole Hersee Co.**  
 20 Old Colony Ave., South Boston, MA, 02127  
 Plus 617-268-2100 Web: [www.colehersee.com](http://www.colehersee.com)

**Description:**  
SW, DPDT, TOGGLE, SW

<b>Drawing / Part No.:</b>	551846	<b>Current Rev.</b>
		P

Used On or Rev.:	Scale: <b>1:1</b>	Drawn By: <b>MF</b>	Date Drawn: <b>4/14/65</b>	Responsible Engineer: <b>GA</b>	Pg. <b>1</b> of <b>1</b>
------------------	-------------------	---------------------	----------------------------	---------------------------------	--------------------------