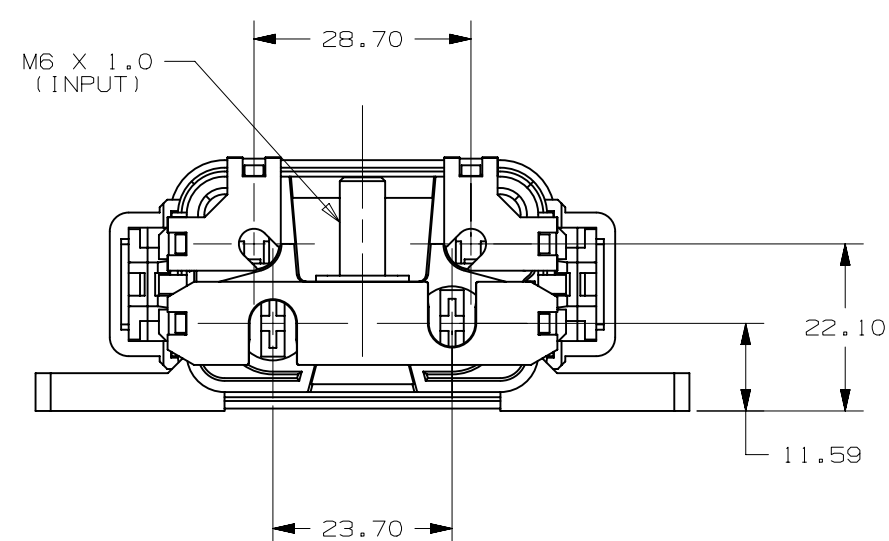
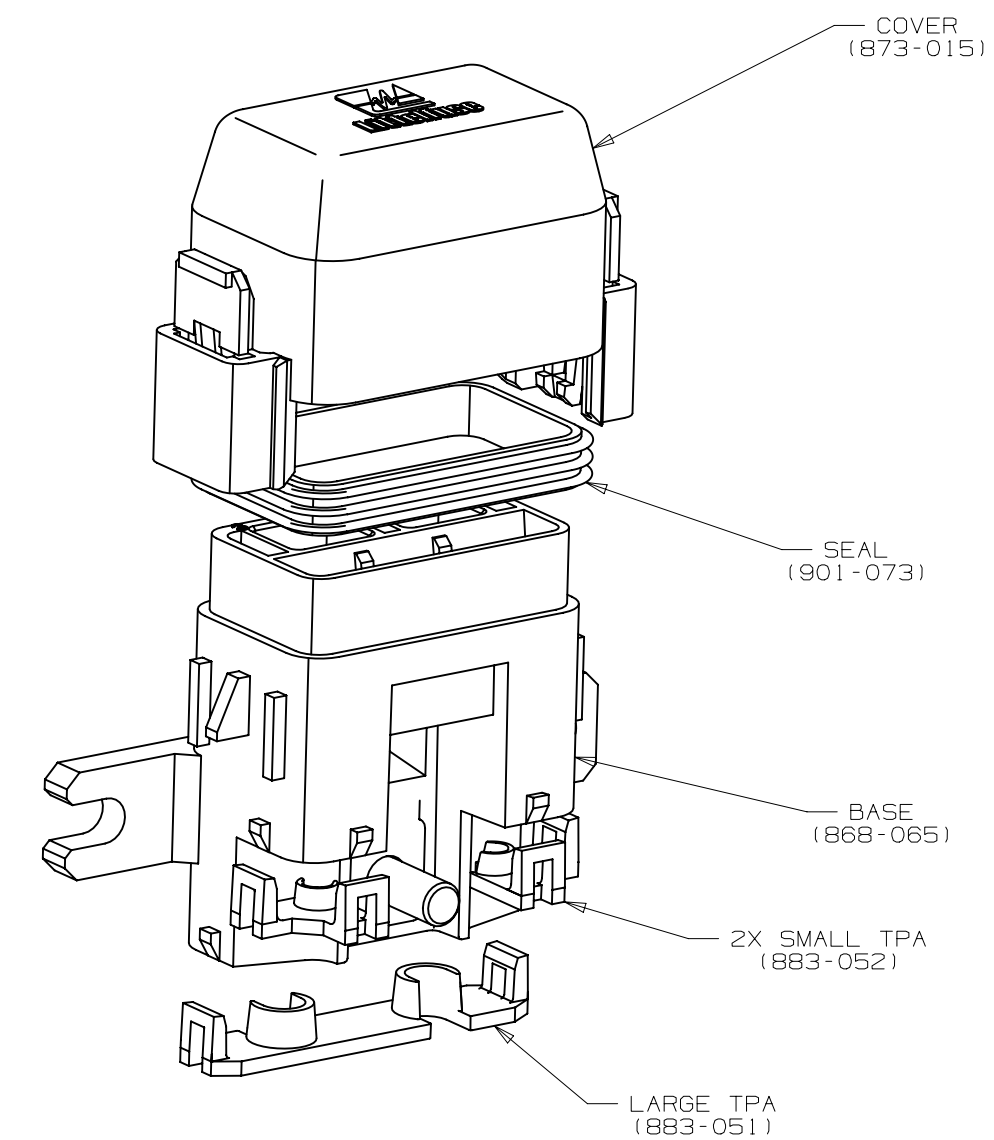
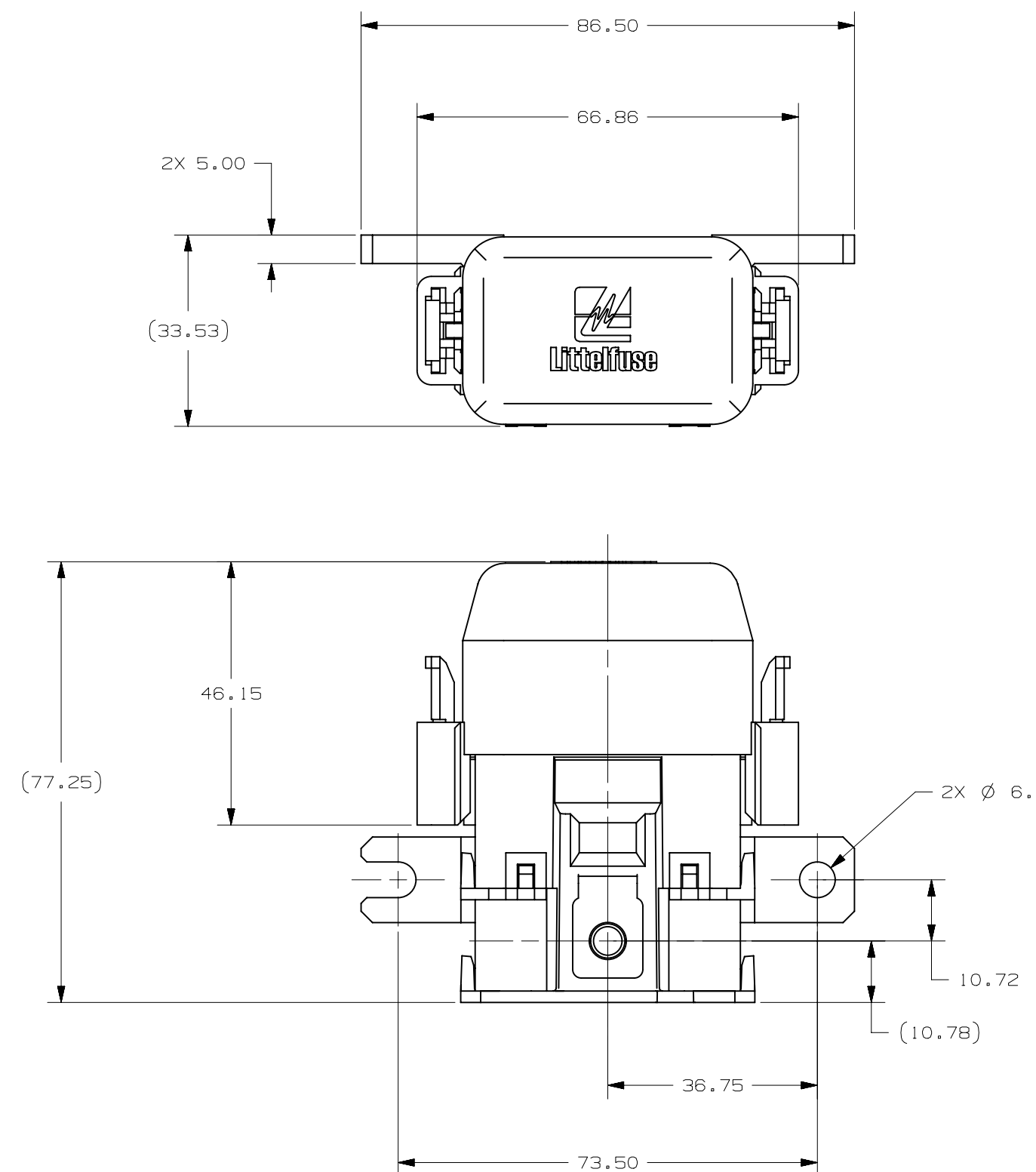


FEMALE TERMINAL FOR MINI FUSE (SEE NOTE 13)				
CABLE SIZE mm ²	FEMALE TERMINAL (DELPHI 280 SEALED)	CABLE DIA	CABLE SEAL (DELPHI 280 METRI-PACK REEL/LOOSE)	COLOR
0.50 - 0.35	12084201	1.70 - 1.29	12034365/15324983	DARK RED
1.0 - 0.50	12077411	2.15 - 1.60	12089444/15324985	PURPLE
3.0 - 2.0	12129493	2.42 - 2.03	12041352/15324984	TAN
3.0	12077413	2.85 - 2.03	12015284/15324982	GREEN
		3.49 - 2.81	12015359/15324980	GRAY
		4.30 - 3.45	12015360/15324981	BLUE
		CAVITY PLUG	12010300	GREEN

MALE TERMINAL FOR JCASE (SEE NOTE 13)		
CABLE SIZE mm ²	MALE TERMINAL (DELPHI DUCON 6.3 SEALED)	CABLE PLUG (DELPHI DUCON 6.3 SEALED)
2.5 - 1.5	15344632	12059255
6.0 - 4.0	15344631	

6.3 DUCON CABLE SEALS (SEE NOTE 13)			
REEL PART NUMBER	LOOSE PART NUMBER	CABLE DIA.	COLOR
10730240	15324997	2.40-1.60	LT. BROWN
12059259	15324995	2.90-2.00	DK. RED
10730241	15324994	3.80-2.80	GRAY
15344032	15324996	4.50-3.60	BLUE

LTR	DATE	REVISION	CHK	APD
A	04/18/11	502034ERA-RELEASE GMB		
B	08/26/11	503116ERA-SEE ECO GMB		
C	1/23/12	504140ECA-SEE ECO GMB		
D	3/22/12	504558ECA-SEE ECO FYUE		
E	1/7/13	507145ECA-SEE ECO FYUE		



NOTE:

- MATERIAL:
 BASE/COVER: PA-66, VO/BLACK
 TPA: PA-66, VO/BLACK
 SEAL: 30 DURO SILICONE (GREEN)
 BUSSBAR: TIN-PLATED COPPER
 BOLT: ZINC-PLATED STEEL
- TORQUE RATING: 5.5-6.5 Nm USING M6 BOLT & LOCK WASHER
- MAX. TOTAL CURRENT @ 23°C IS 100A
 MAX. TOTAL CURRENT @ 85°C IS 70A.
 ALL FUSE MUST NOT EXCEED 70% OF RATED CURRENT.
- OPERATING & STORAGE TEMPERATURE: -40°C TO 85°C
- ASSEMBLY MUST PASS IP67 IEC60529 TESTS.
- COVER MUST WITHSTAND A PULL FORCE OF 15-30N WHEN INSTALLED WITH SEAL AND BASE.
- TERMINAL RETENTION MUST MEET REQUIREMENTS OF USCAR 2 SECTION 5.4.1.3 USING PROPER DELPHI METRI-PACK TERMINALS (SEALED/TANGED):
 TERMINAL INSERTION FORCE: 30N MAX. (15N MAX. FOR WIRE SIZE $\leq 1\text{mm}^2$)
 TERMINAL EXTRACTION FORCE: 60N MIN.
 TERMINAL EXTRACTION FORCE WITH TPA INSTALLED: 90N MIN.
- PARTS ARE SHIPPED WITH TPAS AS BULK AND THE BASE WITH COVER AND SEAL INSTALLED.
- TO BE USED WITH FUSE PULLER 00970032Z.
- HOLDER MEETS L/F VALIDATION TEST SPEC. VS-00510.
- TO BE USED WITH DELPHI METRI-PACK TERMINALS AND SEALS.
- TO BE USED WITH DELPHI DUCON MALE TERMINAL AND SEALS.
- FOR REFERENCE ONLY. CONTACT DELPHI FOR ANY UPDATED PART NUMBERING INFORMATION.

NO	COMPONENT NO	DESCRIPTION	QTY/M	U/M
BILL OF MATERIAL				
UNLESS OTHERWISE SPECIFIED, DIMENSIONS ARE IN MILLIMETERS. DIMENSIONS IN BRACKETS [] ARE INCHES				
UNLESS OTHERWISE SPECIFIED, DIMENSIONS DO NOT INCLUDE PLATING.				
⊙	DENOTES CRITICAL CHARACTERISTICS.			
CPK	DENOTES CPK DIMENSIONS, -MINIMUM CPK VALUE			
ST	DENOTES A CHARACTERISTIC THAT PROVIDES AN INDICATION OF PROCESS PERFORMANCE. PROCEDURE FOR MEASUREMENT AND TRACKING TO BE DEFINED IN LITTELFUSE INSPECTION INSTRUCTIONS			
CP	DENOTES CP DIMENSIONS, -MINIMUM CP VALUE MUST BE WITHIN THE DIMENSIONAL LIMITATIONS SHOWN ON DRAWING AND INITIALLY LOCATED TO ALLOW FOR MAXIMUM TOOL LIFE			
COPIES TO		MATL SPEC		
1	9	18	FINISH	
2	10	19		
3	12	20		
4	13	21	DRW	GMB
5	14	23	DATE	03/15/11
6	15	33	SCALE	1:1
7	16	43	CHK	DATE
8	17	53	APPD	DATE
FINSH GOOD WT GRAMS/PIECE				
TOLERANCES UNLESS OTHERWISE SPECIFIED				
DIMENSION	0.5 - 6	OVER 6 - 30	OVER 30 - 120	OVER 120 - 400
TOLERANCE	+0.1	+0.2	+0.3	+0.5
3RD ANGLE PROJECTION		TITLE		
		2 + 2 FUSE HOLDER		
METRIC ASSEMBLY		Littelfuse		CHICAGO, USA 773-628-1000
REVISION		DRWG. NO.		OUTLINE
E		OL-BPDMA104HXF1		

METRIC ASSEMBLY

Littelfuse

REVISION E DRWG. NO. OL-BPDMA104HXF1 OUTLINE

CAD GENERATED DRAWING - NO PENCIL CHANGES ALLOWED (REV C)