

# ONE CIRCUIT PUSH PULL SWITCHES



## Specifications Overview

|                        |                        |
|------------------------|------------------------|
| <b>Positions:</b>      | 2: In (Off) - Out (On) |
| <b>Housing:</b>        | Plated Steel           |
| <b>Termination:</b>    | 2 Screws               |
| <b>Voltage Rating:</b> | 10A at 12V DC          |

## Applications

- Construction Equipment
- Agricultural Equipment
- Material Handling Equipment
- Transit and Commercial Vehicles

## Description

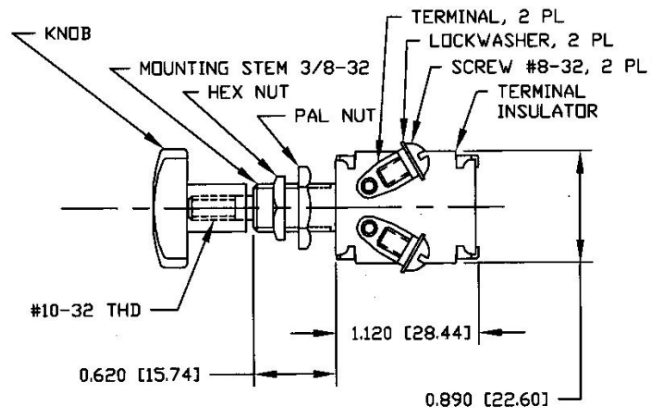
Littelfuse Push Pull Switches are designed for universal applications within harsh environments. Their mounting, body, and actuator features are designed for ease-of-use and extended product lifecycle.

The One Circuit Push Pull Series provide discrete positions for pre-determined circuit closures. These heavy duty switches are designed for universal applications.

## Web Resources

Download 2D print and technical resources at:  
[littelfuse.com/OneCircuitPushPullSwitches](http://littelfuse.com/OneCircuitPushPullSwitches)

## Dimensions in MM



\* Dimensions shows for 5007, Dimensions may vary per part number

## Ordering Information

| PART NUMBERS | DESCRIPTION                  | CIRCUITRY | HOUSING      | MOUNTING                                      | VOLTAGE RATING | ACTUATOR                             |
|--------------|------------------------------|-----------|--------------|---|----------------|--------------------------------------|
| 5007 *       | One Circuit Push Pull Switch | SPST      | Plated Steel | Hex Nut through 0.375 (9.525mm)-32 Panel Hole | 10A at 12V DC  | Tan Plastic Knob (Push Pull)         |
| 5011 *       | One Circuit Push Pull Switch | SPST      | Plated Steel | Hex Nut through 0.50 (12.7mm)-2032 Panel Hole | 10A at 12V DC  | Chrome-Plated Brass Knob (Push Pull) |

\* Box and Retail Blister Pack Available



Visit [Littelfuse.com](http://Littelfuse.com) for the most up-to-date product information. Littelfuse products are designed for specific applications and should not be used for any purpose (including, without limitation, automotive applications) not expressly set forth in applicable Littelfuse product documentation. Warranties granted by Littelfuse shall be deemed void for products used for any purpose not expressly set forth in applicable Littelfuse product documentation. Littelfuse shall not be liable for any claims or damages arising out of products used in applications not expressly intended by Littelfuse as set forth in applicable Littelfuse product documentation.