

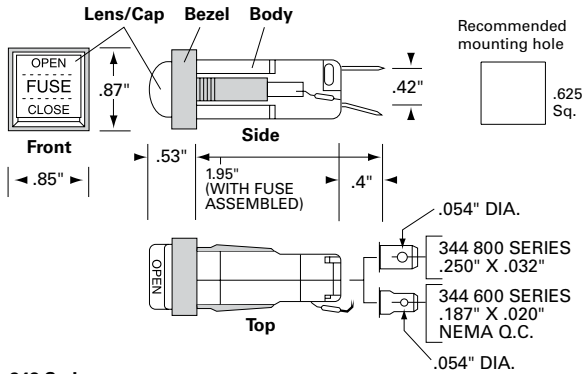
344/348 Series Blown Fuse Indicating / Low Profile Holders for 3AB/3AG Fuses



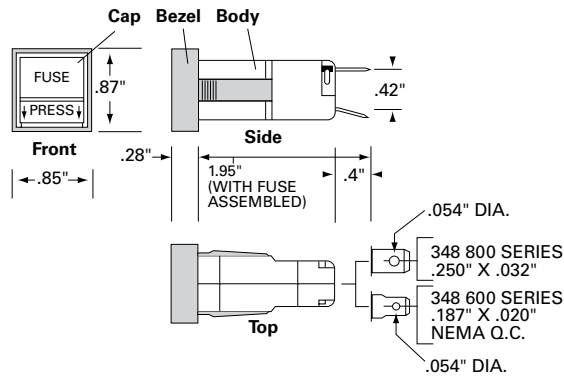
Note: Standard Body and Bezel color is black. Other Bezel colors are available as special order.

Dimensions

344 Series



348 Series



Product Characteristics

| Compatible Fuses | For 3AB/3AG Type Fuses |
|----------------------------|---|
| Features | Low profile design Blown fuse indicator |
| Electrical | 348 Series: Rated at 15 amps for any voltage up to 250 volts. 344 Series: Rated at 15 amps at lamp voltage shown below. |
| Dielectric Strength | 1500 volts minimum. When designing indicating type fuseholders into a circuit, consideration should be given to the resistance of fractional amperage fuses and the parallel resistance of the indicator lamp and its resistor. |
| Mounting | Panel thickness range: .031" through .125" |
| Molded Parts | Black thermoplastic body (UL94 V-0). Thermoplastic bezel, cap and lens (UL94 V-2). See tables below for colors. |
| Terminals | Brass. Tin-plated. |
| Ambient Temperature | Non-indicating: -40°C to +85°C. Indicating: -40°C to +60°C. |
| Fuse Installation | Insert the fuse into the cap and push the assembly into the body until it latches. Press in and down to unlatch for removal. |

NOTE: Refer to [Fuseology](#) for information on proper fuseholder re-rating.

Ordering Information

| Catalog Number | | Lamp Type | Lamp Voltage | Lamp Current | Resistor | Lens Color |
|----------------------|---------------------|--------------|--------------|--------------|----------|------------|
| 3/16" O.C. Terminals | 1/4" O.C. Terminals | | | | | |
| 03440601Z | 03440801Z | Incandescent | 6 | 40 ma | No | Amber |
| 03440602Z | 03440802Z | Incandescent | 14 | 80 ma | No | Amber |
| 03440603Z | 03440803Z | Incandescent | 28 | 40 ma | No | Amber |
| 03440604Z | 03440804Z | Neon | 120 | 1.2 ma | Yes | Clear |
| 03440605Z | 03440805Z | Neon | 240 | .3 ma | Yes | Clear |

NOTE:
Standard Body and Bezel color is black. Other Bezel colors may be available as special order. Please contact Littelfuse for additional information and detailed arrangements.

Additional Information



Datasheet 344 Series



Resources 344 Series



Samples 344 Series



Datasheet 348 Series



Resources 348 Series



Samples 348 Series

| Catalog Number | | Bezel Color | Cap Color |
|----------------------|---------------------|-------------|-----------|
| 3/16" O.C. Terminals | 1/4" O.C. Terminals | | |
| 03480671Z | 03480871Z | Black | Red |
| 03480677Z | 03480877Z | Black | Black |

NOTE:
Standard Body and Bezel color is black. Other Bezel and Cap colors may be available as special order. Please contact Littelfuse for additional information and arrangements.

Disclaimer Notice - Information furnished is believed to be accurate and reliable. However, users should independently evaluate the suitability of and test each product selected for their own applications. Littelfuse products are not designed for, and may not be used in, all applications. Read complete Disclaimer Notice at: www.littelfuse.com/disclaimer-electronics.

Specifications are subject to change without notice. Application testing is strongly recommended.