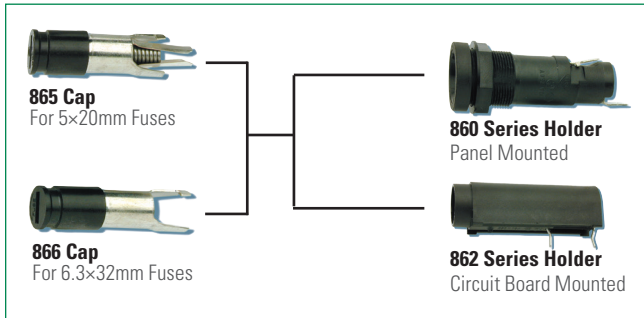




### 860/862 Series Enclosed Fuseholders for 5x20mm and 6.2x32mm Fuses



#### Agency Approval

Agency	Agency File Number	
	860 Series	862 Series
	40048042	N/A
	E70164	E70164

#### Additional Information



**Datasheet  
860 Series**



**Datasheet  
862 Series**



**Resources  
860 Series**



**Resources  
862 Series**



**Samples  
860 Series**



**Samples  
862 Series**

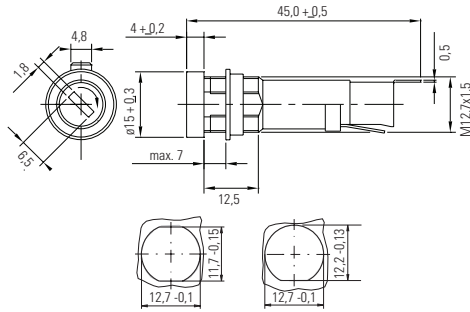
#### Product Characteristics

	860 Series	862 Series
<b>Compatible Fuses</b>	<b>5x20mm</b> <b>6.3x32mm (3AB/3AG)</b>	
<b>Materials</b>	<b>Holder/Cap:</b> Black Thermoplastic, UL 94V0	
	<b>Metal Parts:</b> Copper alloy, corrosion protected	
	<b>Terminals:</b> Solderable tinned	
<b>Electrical Data (23°C)</b>	<b>Rated Voltage:</b> 250V	
	<b>Rated Current:</b> 10A (VDE) 16A (CSA) 20A (UL)	<b>Rated Current:</b> 10A 16A (UL/CSA)
	<b>Rated Power:</b> 4.0W (VDE)	<b>Rated Power:</b> 862/865: 2.5W 862/866: 3.2W
<b>Mounting</b>	12.7mm diameter D-hole or double D-hole Admissible torque on plastic hex nut is 1.2Nm	(2) Solder pins 0.5mmx1.1mm and plastic stud Pins are kicked for optimal soldering
<b>Terminals</b>	Solderable or 4.8mm quick connect-fits 0.5mm tab	Solderable tinned
<b>Protection Class &amp; Category</b>	IP 40 (IEC 60529) PC2 (IEC 60127-6)	IP 40 (IEC 60529) PC2 (IEC 60127-6)
<b>Operating Temperature*</b>	-40°C to +85°C	
<b>Climatic Test</b>	-40°C/+85°C/21 days (IEC 60068-2-1...3)	
<b>Stock Conditions</b>	+10°C to +60°C relative humidity ≤ 75% yearly average, without dew, maximum value for 30 days - 95%	
<b>Vibration Resistance</b>	24 cycles at 15 min. each (IEC 60068-2-6) 10 - 60Hz at 0.75mm amplitude 60 - 500Hz at 10g acceleration	
<b>Contact Resistance</b>	≤ 5mΩ	
<b>Impulse Voltage</b>	4 kV, 50Hz, 1 min., dry	
<b>Insulation Resistance</b>	> 10 <sup>3</sup> MΩ (500VDC, 1 min.)	
<b>Solderability</b>	235°C, 2 sec. (Wave) 350°C, 1 sec. (Soldering Iron)	
<b>Soldering Heat Resistance</b>	350°C, 5 sec. (IEC 60068-2-20)	
<b>Minimum Cross Section</b>	Conductor - 2.5mm <sup>2</sup>	Conducting path - 0.2mm <sup>2</sup>
<b>Marking</b>	860, 250V, Approvals	862, 250V, Approvals
<b>Unit Weight</b>	5.3g (860) / 5.6g (862) / 3.3g (865) / 2.5g (866)	

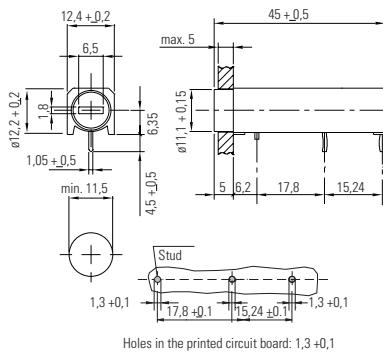
\* - Refer to [Fuseology](#) for information on proper fuseholder re-rating.

**Dimensions**

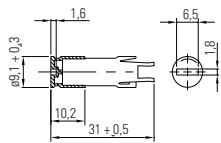
**860 Series**



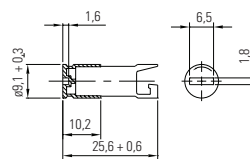
**862 Series**



**865 Series**



**866 Series**



**Ordering Information**

Description	Ordering Number	Packaging
860 Series Holder	86000001009	Bulk 100
862 Series Holder	86200001009	Bulk 100
865 Series Knob	86500001009	Bulk 100
866 Series Knob	86600001009	Bulk 100