

SC3 / SC4 SERIES



Description

The SC3/SC4 Series are solid-state 3 or 4 channel chasers designed for sequential three circuit flashing of incandescent lamp loads. Unlike electromechanical chasers, there are no contacts to arc, wear, and eventually fail.

Operation

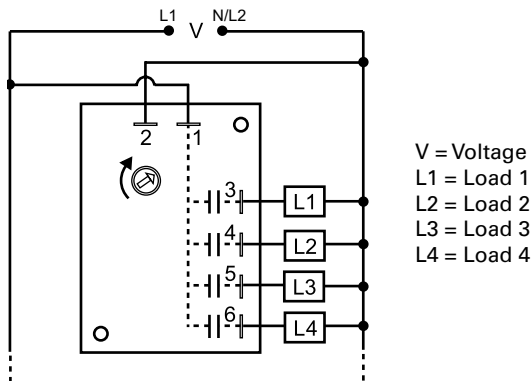
Sequential 3 or 4 circuit flashing of incandescent loads with equal time delays for each load. Upon application of input voltage, Load 1 is energized. At the end of the time delay, Load 1 de-energizes and Load 2 energizes. At the end of the time delay, Load 2 de-energizes and Load 3 energizes. This cycle continues until input voltage is removed. The set time delay (rate) is the timing for the *whole cycle*, for all 3 loads (output contacts).

Reset: Removing input voltage resets the unit and cycle.

Features & Benefits

FEATURES	BENEFITS
Totally solid state and encapsulated	No moving parts to arc and wear out over time and encapsulated to protect against shock, vibration, and humidity
1A steady solid state output	Provides 100 million operations in typical conditions.

Wiring Diagram



SC4 shown. For SC3, terminal 6 and load L4 are eliminated.

Accessories



P1015-13 (AWG 10/12), **P1015-64** (AWG 14/16), **P1015-14** (AWG 18/22) **Female Quick Connect**
These 0.25 in. (6.35 mm) female terminals are constructed with an insulator barrel to provide strain relief.



P1015-18 Quick Connect to Screw Adapter
Screw adapter terminal designed for use with all modules with 0.25 in. (6.35 mm) male quick connect terminals.

Ordering Information

MODEL	INPUT VOLTAGE	RATING	CHANNEL	FLASH RATE
SC3120A	120VAC	1A	3 Sequential	Adjustable 30 - 30FPM
SC4120A	120VAC	1A	4 Sequential	Adjustable 30 - 30FPM

If you don't find the part you need, call us for a custom product 800-843-8848

SC3 / SC4 SERIES



Specifications

Technical Data

Operation

Sequential 3 circuit flashing of incandescent lamp loads. Fixed rate.
For sequential 4 circuit and adjustable rates, please contact the factory.

Fixed: 30 operations per minute ($\pm 10\%$)

Rate

Input

Voltage

120VAC $\pm 15\%$

AC Line Frequency

50/60 Hz

Output

Type

Solid state

Rating

1A steady state per output

Mechanical

Mounting

Surface mount with two #6 (M3.5 x 0.6) screws

Termination

0.25 in. (6.35 mm) male quick connect terminals

Dimensions

H 88.9 mm (3.5"); **W** 63.5 mm (2.5");

D 31 mm (1.22")

Protection

Circuitry

Encapsulated

Dielectric Breakdown

$\geq 2000V$ RMS terminals to mounting surface

Insulation Resistance

$\geq 100 M\Omega$

Environmental

Operating/Storage

Temperature

-20° to 60°C / -40° to 85°C

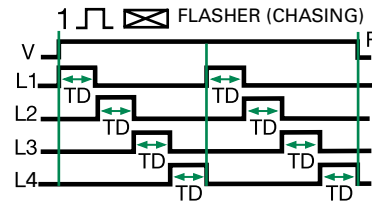
Humidity

95% relative, non-condensing

Weight

≈ 5.4 oz (153 g)

Flasher Function Diagram



V = Voltage
 R = Reset
 L1, L2, L3, L4 = Lamps
 TD = Time Delay
 (all are equal)

SC4 shown.

For SC3, L4 is eliminated and L1TD begins as soon as L3TD is completed.