

Single Function Relays

SIR Series

Solid-State Relay – Isolated



Description

The solid-state SIR series relays are designed for industrial applications requiring rugged, reliable operation. These relays provide an optically-isolated, high-capacity, solid-state output with power switching capability up to 20 A steady state, 200 A inrush. The SIR2 zero voltage switching is intended for resistive and incandescent loads and can extend the life of an incandescent lamp up to 10 times. The SIR1 random switching is intended for inductive loads. When fully insulated female terminals are used on the connection wires, the system meets the requirements for touch-proof connections.

Operation

The solid-state output is located between terminals 1 and 3 and is normally open or closed without control voltage applied to terminals 4 and 5. When control voltage is applied to terminals 4 and 5, the solid-state output opens or closes, respectively.

Reset

Removing control voltage resets the output. The unit can also be reset if the output voltage is removed.

Features & Benefits

FEATURES	BENEFITS
Entirely solid-state and encapsulated	No moving parts to arc and wear out over time Protects against shock, vibration, and humidity
Up to 20 A, 200 A inrush output rating	Provides direct control of heavy inductive, incandescent, or resistive loads
Switching output is optically isolated from the control input	Provides the ability to interface between 2 different electrical circuits
SIR1 models – random switching	Ideal for inductive loads
SIR2 models – zero voltage switching	Ideal for resistive and incandescent loads
Metalized mounting surface	Facilitates heat transfer in high-current applications

Applications

- Inductive, resistive, and incandescent loads
- Industrial systems requiring rugged, reliable operation

Single Function Relays

SIR Series

Specifications

Output

Type Optical isolation, totally solid state

Form SPST, NO or NC

Voltage 24, 120, or 230 V ac

Tolerance $\pm 20\%$

Ratings	Steady State	Inrush*	Output Device
	3 A	30 A	Triac
	6 A	60 A	Triac
	10 A	100 A	Triac
	20 A	200 A	Triac

Minimum Load Current ≈ 50 mA

Voltage Drop ≈ 2.0 V at rated current

Leakage Current (Open State) ≈ 6 mA

Input

Type Optical isolation LED/photo transistor

Control Voltage 9 to 290 V ac/dc in 3 ranges

Power Consumption ≤ 0.5 W

Protection

Circuitry Encapsulated

Dielectric Breakdown ≥ 2000 V RMS terminals to mounting surface

Insulation Resistance ≥ 100 M Ω

Mechanical

Mounting* Surface mount with one #10 (M5 x 0.8) screw

Dimensions **H** 50.8 mm (2.0"); **W** 50.8 mm (2.0"); **D** 38.4 mm (1.51")

Termination 0.25 in. (6.35 mm) male quick connect terminals

Environmental

Operating/Storage Temperature -40 °C to 60 °C / -55 °C to 85 °C

Humidity 95% relative, non-condensing

Weight ≈ 3.9 oz (111 g)

*Must be bolted to a metal surface using the included heat sink compound. The maximum mounting surface temperature is 90 °C. Inrush: Non-repetitive for 16 ms.

Certification & Compliance

UL Recognized	File E57310 UL508
CSA	File LR057415

Accessories

P1015-13 (AWG 10/12), **P1015-64** (AWG 14/16), **P1015-14** (AWG 18/22) **Female Quick Connect**

These 0.25 in. (6.35 mm) female terminals are constructed with an insulator barrel to provide strain relief.

P1015-18 Quick Connect to Screw Adapter

Screw adapter terminal designed for use with all modules with 0.25 in. (6.35 mm) male quick connect terminals.

Single Function Relays

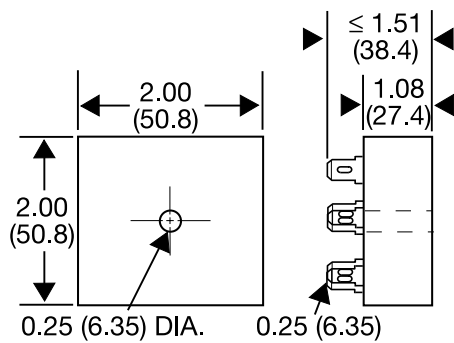
SIR Series

Ordering Information

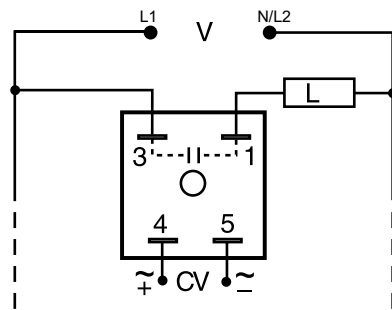
MODEL	SWITCHING	CONTROL VOLTAGE	RATING	OUTPUT FORM	OUTPUT VOLTAGE
SIR1B6B4	Random	90 to 150 V ac or dc	6 A	Normally closed	120 V ac
SIR2A20A4	Zero voltage	9 to 30 V ac or dc	20 A	Normally open	120 V ac
SIR2B20A4	Zero voltage	90 to 150 V ac or dc	20 A	Normally open	120 V ac
SIR2B20B4	Zero voltage	90 to 150 V ac or dc	20 A	Normally closed	120 V ac

If you don't find the part you need, call us for a custom product 800-843-8848

Dimensions Inches (mm)



Wiring Diagram

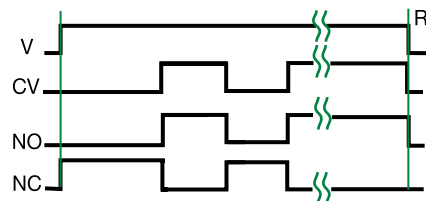


V = Voltage
CV = Control Voltage
L = Load

Load may be connected to terminal 3 or 1.

Note: Normally open output is shown. Normally closed output is also available.

Function Diagram



V = Voltage
CV = Control Voltage
NO = Normally Open Contact
NC = Normally Closed Contact
R = Reset
— = Undefined Time

Disclaimer Notice – Information furnished is believed to be accurate and reliable. However, users should independently evaluate the suitability of and test each product selected for their own applications. Littelfuse products are not designed for, and may not be used in, all applications. Read complete Disclaimer Notice at www.littelfuse.com/product-disclaimer.