

201-100-SLD

Single-Channel Seal-Leak Detector



UL listed when used in combination with OT08PC socket only.



Description

The model 201-100-SLD is an 8-pin plug-in style seal-leak detector to sense seal failures on submersible pumps. A microcontroller-based relay that monitors the shaft seal of a submersible pump motor. A resistive probe is installed in the seal cavity. If water leaks into the pump, the resistance measured by the probe decreases. When the resistance drops below the sensitivity setpoint, the unit will trip and the relay contacts will change state. The unit will automatically reset when a fault is cleared.

Features & Benefits

- LED status indicator
- Compact plug-in design
- DIN rail or surface mountable via octal base

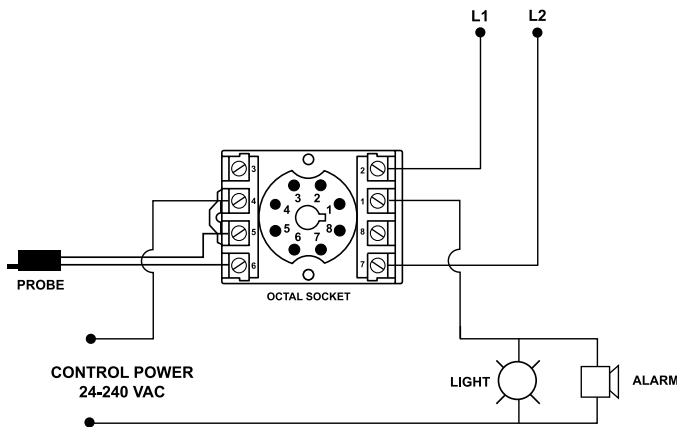
Accessories



OT08PC 8-pin Octal Socket

Octal Socket for plug-in units. 8-pin surface & DIN rail mountable. Rated for 10A @ 600VAC.

Wiring Diagram



Specifications

Control Voltage	110/120VAC nominal
Frequency	50/60Hz
Sensitivity	4.7k-100kΩ
Probe Sense Voltage	5vdc pulsed
Output contact Rating	SPDT
Pilot Duty	480VA @240VAC
General Purpose	10A @240VAC
Operating Temperature	-40° to 70°C (-40° to 158°F)
Storage	-40° to 80°C (-40° to 176°F)
Maximum Input Power	5 W
Relative Humidity	10-95%, non-condensing per IEC 68-2-3
Electrostatic Discharge (ESD)	IEC 61000-4-2, Level 3, 6kV contact, 8kV air
Radio Frequency Immunity, Radiated	150MHz, 10V/m
Fast Transient Burst	IEC 61000-4-4, Level 3, 3.5kV input power and controls
IEC	IEC 61000-4-5, Level 3, 4kV line-to-line; level 4, 4kV line-to-ground
ANSI/IEEE	C62.41 Surge and Ring Wave Compliance to a level of 6kV line-to-line
Hi-Potential Test	Meets UL508 (2 x rated V + 1000V for 1 min.)
UL*	UL508 (File #E68520)
CE	IEC 60947-6-2
Enclosure	Polycarbonate
Dimensions	H 44.45 mm (1.75"); W 60.325 mm (2.375"); D (with socket) 104.78 mm (4.125")
Weight	0.7 lb. (11.2 oz., 317.51 g)
Mounting Method	DIN rail or surface mount (plug into OT08PC socket)
Socket Available	Model OT08PC (UL Rating 600V)
Approvals	UL, CE

Note: Manufacturer's recommended screw terminal torque for the RB Series and OT Series Octal Sockets is 12 in.-lbs.

*Must use Model OT08PC socket for UL Rating!
The 600V socket can be surface mounted or installed on DIN Rail.