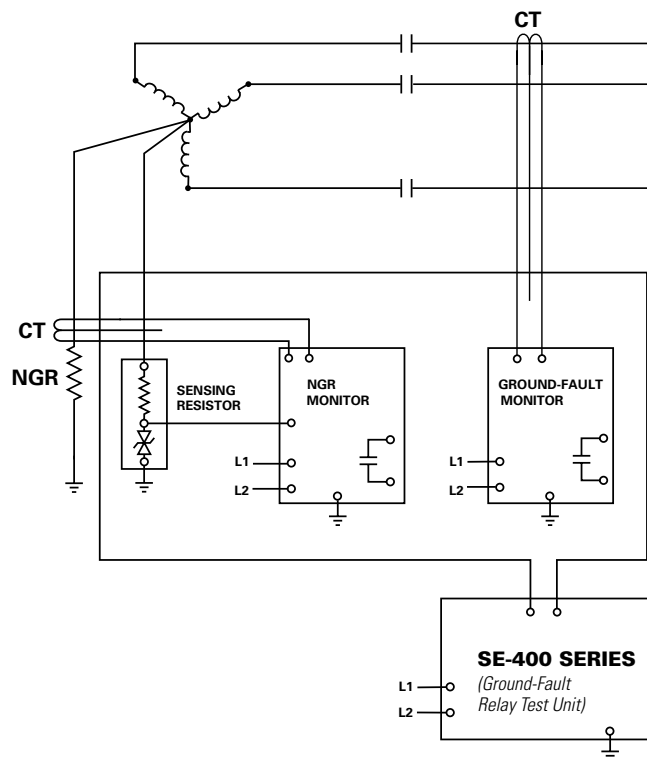


# SE-400 SERIES

## Ground-Fault-Relay Test Unit



### Simplified Circuit Diagram



### Description

The SE-400 is a ground-fault-relay test unit designed to test current pickup level, time delay and coordination of ground-fault protection.

The tester injects current through the window of installed ground-fault current transformers to verify the operation of ground-fault monitors and relays.

It is used on substations, motor control centers (MCCs), central distribution panels, switchboards, and test benches to verify relay operation.

The SE-400 tests the entire ground-fault circuit including current transformers, wiring, ground-fault relay and the operation of the interrupting device. It is recommended to test every relay and its current interrupting device annually.

### Features & Benefits

FEATURES	BENEFITS
<b>Adjustable Current Setpoint</b>	Current range is 0.5 to 9.9 A
<b>Adjustable Time Duration Setpoint</b>	Duration range is 0.1 to 9.9 s, or continuous output
<b>Small Form Factor</b>	Lightweight and compact for portability
<b>Remote Test Input</b>	Allows test to be initiated from another location

### Ordering Information

ORDERING NUMBER	CONTROL POWER
SE-400	120 Vac

### Specifications

<b>Input Voltage</b>	84-134 Vac, 50/60 Hz, 80 VA
<b>Dimensions</b>	<b>H</b> 219 mm (8.6"); <b>W</b> 99 mm (3.9"); <b>D</b> 143 mm (5.6")
<b>Output Current Settings</b>	0.5-9.9 A
<b>Output Duration Settings</b>	0.1-9.9 s or continuous
<b>Output Voltage</b>	5.0 Vac maximum
<b>Conformally Coated</b>	Standard feature
<b>Warranty</b>	5 Year
<b>Mounting</b>	Surface, Panel