

## PC-102 SERIES

### Dual Seal-Leak Detector or Seal-Leak & Over-Temperature Detector



#### Description

The PC-102 is a dual-channel switch that provides dual protection against seal failures and over-temperature in submersible pumping applications.

Both units have two form-C isolated output relays and two LEDs, which illuminate when each associated output relay is energized.

The sensitivity adjustment (4.7k-100kOhms) allows you to define the input impedance at which the output relays will change state. The sensitivity for the over-temperature detector can be set to 4k Ohms with use of the DIP switches.

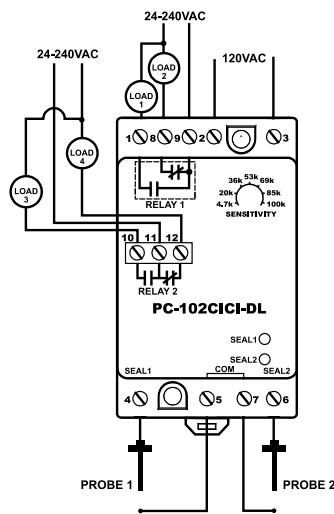
**This unit may not be compatible with Flygt pumps.**

#### Features & Benefits

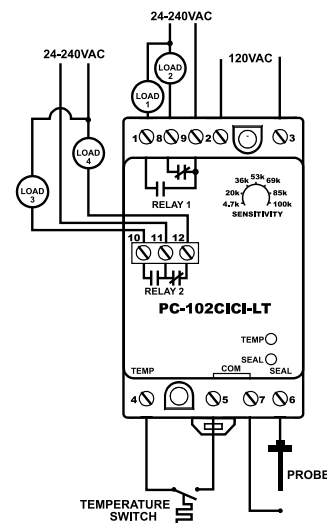
FEATURES	BENEFITS
<b>Finger-safe terminals</b>	Meets IEC 61000 safety requirements
<b>Compact design for DIN rail or surface mount</b>	Allows flexibility in panel installation
<b>LED Status Indicator</b>	Visual indication of relay engagement
<b>Two input channels</b>	Flexibility for pump-up/pump-down or two-channel switch applications

#### Wiring Diagram

PC-102CICI-DL



PC-102CICI-LT



#### Specifications

##### Input Characteristics

**Frequency** 50/60Hz

##### Functional Characteristics

**Probe Sense Voltage** 5vdc pulsed

**Sensitivity** 4.7k-100kΩ

**Sensitivity (for temp)** Selectable 4kΩ with DIP switches

**Input Logic** Direct or inverted

**Debounce Time Delay** 0.5 or 2 seconds

##### Output Characteristics

**Relay Output Rating (2 Form C isolated)**

**Pilot Duty** 180VA @ 120VAC, C150

**General Purpose** 5A @ 240VAC

##### General Characteristics

**Temperature Range** -20° to 55°C (-4° to 131°F)

**Maximum Input Power** 2 W

**Depluggable Connector** Phoenix Contact-Series MSTB plugs

##### Output Relay

**Status Indicators** LEDs

**Terminal Torque** 4.5 in.-lbs.

**Wire range** 12-20 AWG

##### Standards Passed

**Electrostatic Discharge (ESD)** IEC 61000-4-2, Level 3, 6kV contact, 8kV air.

**Radio Frequency Immunity (RFI)** IEC 61000-4-3, Level 3, 10V/m

**Fast Transients** IEC 61000-4-4, Level 3, 4kV input power  
2kV inputs/outputs

##### Safety Marks

**UL** UL508 (File #E68520)

**Dimensions** **H** 88.9 mm (3.5"); **W** 52.93 mm (2.08");

**D** 59.69 mm (2.35")

**Weight** 0.9 lb. (14.4 oz., 408.23 g)

**Mounting Method** 35mm DIN rail or Surface Mount (#6 or #8 screws)

#### Ordering Information

MODEL	LINE VOLTAGE	DESCRIPTION
PC-102CICI-DL	120VAC nominal	Dual seal-leak detector uses inputs to sense seal failures and energize the output relay. Input logic direct or inverted is DIP switch selectable
PC-102CICI-LT	120VAC nominal	Seal-leak and over-temperature detector uses one input to sense seal failures and the temperature input to detect motor overheating. Configurable to suit various probes. Seal input logic direct or inverted, plus over-temperature trip reset automatic or manual, is DIP switch selectable