

08097367 & 08097467 BATTERY DISCONNECT SWITCHES

250A • SPST • IP65/IPX7 • M10 Studs • ADR Electronic/Electrical bistable remote control



Description

This is the single-pole bi-stable version of the ADR electronic battery disconnect switches.

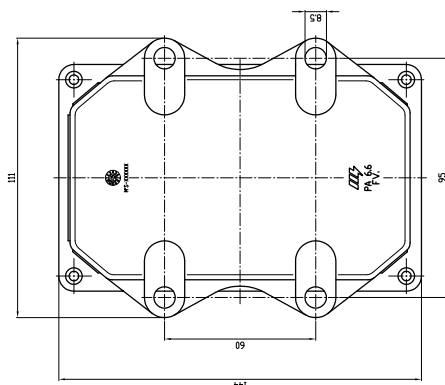
It protects the vehicle in potentially explosive environments in case of emergency according to the European Dangerous Goods Transport Regulation and is operated with an emergency ON-OFF switch.

Switches are bi-stable with zero consumption, that is, the device absorbs current only during the commuting phase when the electrical circuit is switched ON or OFF and no further consumption to keep the ON or OFF status.

Features/Benefits

- 250A continuous current rating
- Waterproof IP65/IPX7

Mounting Diagram



Specifications

Max Operating Voltage:	12V DC 24V DC
Max Continuous Current:	250A
Intermittent Current:	2500A at 3 sec
Operating Temp:	-40 °C to +85 °C
Ingress Protection:	IP65/IPX7
Terminals:	Tin-plated Brass
Terminals Nuts:	M10 (brass)

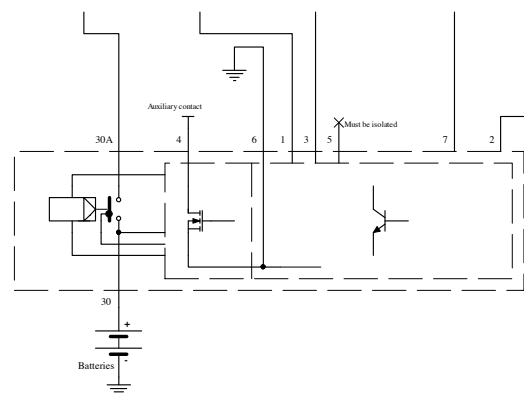
Applications

- Heavy trucks
- Buses
- Construction
- Commercial vehicles
- Ambulances
- Material Handling

Web Resources

Download technical resources at:
littelfuse.com/ManualBatterySwitches

Electrical Diagram



Ordering Information

PART NUMBER	VOLTAGE	AMPERAGE	CIRCUITRY	MOUNTING	INGRESS	CONTACT TERMINALS	NOTES
08097367	12V DC	250A	SPST	Bolt-Down	IP65/IPX7	M10 Tin-plated brass	⊕ disconnection 30 sec. 0.5-10-80 sec. Emergency CUT-OFF
08097467	24V DC	250A	SPST	Bolt-Down	IP65/IPX7	M10 Tin-plated brass	⊕ disconnection 30 sec. 0.5-10-80 sec. Emergency CUT-OFF

08097367 & 08097467 BATTERY DISCONNECT SWITCHES

Dimensions in millimeters

