



BF2 Fuses

## BF2 Fuses Rated 32V

This BF2 fuse is rated at 32V and offers a bolt-on fuse for high current wiring protection. Current rating 100A - 500A; with transparent housing material for easy detection of blown fuses.

### Specifications

Housing Material:	PET-GF30
Clear Housing Material:	PES
Terminal:	Copper alloy, gal. Sn 2 x M8 bolts, Distance 51 mm
Mounting Torque:	12.0 Nm +/- 1Nm
Breaking Capacity:	100 A - 300 A: 2.000 A, 32V, DC 400 A - 500 A: 1.500 A, 32V, DC
Complies with:	ISO 8820-5, UL 248 Special Purpose Fuses



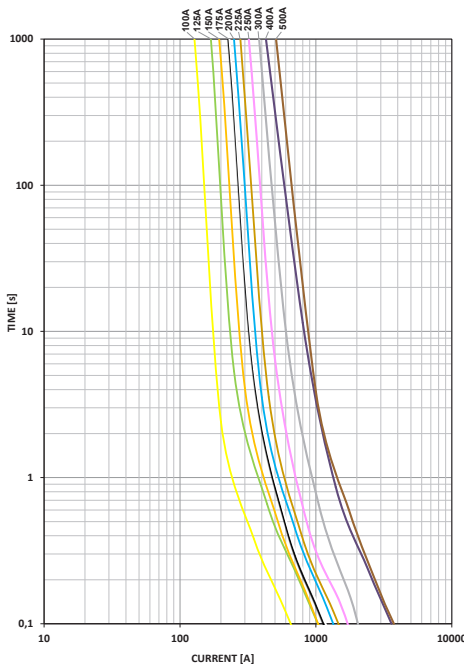
### Ordering Information

Part Number	Package Size
<b>Standard M8 Holes</b>	
153.5395.xxxx	200
<b>M6 Holes</b>	
153.7011.xxxx	200

### Time Current Characteristics

% of Rating	Opening Time Min / Max (s)	
	100A - 250A	300A - 500A
75	- / -	4 h / -
100	4 h / -	- / -
135	120 s / 1,800 s	- / -
200	1 s / 15 s	1 s / 15 s
350	0.300 s / 5 s	0.500 s / 5 s
600	0.100 s / 1 s	0.100 s / 1 s

### Time-Current Characteristic Curves



100A-300A:  $F_t=1,25$  (max. operating current:  $0,8 \times I_{rat}$  at 23°C)  
400A-500A:  $F_t=2,00$  (max. operating current:  $0,5 \times I_{rat}$  at 23°C)

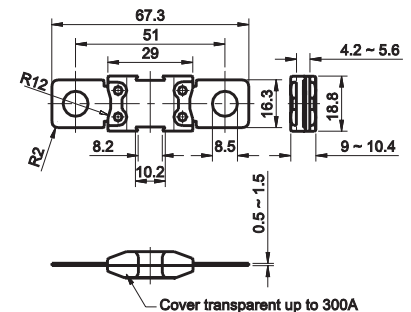
### Ratings

Part Number M8 Holes	Part Number M6 Holes	Current Rating (A)	Housing Color	Typ. Voltage Drop (mV)	Cold Resistance (mΩ)	I <sup>2</sup> t (A <sup>2</sup> s)
153.5395.610_	153.7011.610_	100	Yellow	110	0.70	46,800
153.5395.612_	153.7011.612_	125	Green	110	0.52	118,100
153.5395.615_	153.7011.615_	150	Orange	110	0.42	113,400
153.5395.617_	153.7011.617_	175	White	110	0.36	154,400
153.5395.620_	153.7011.620_	200	Blue	110	0.34	288,000
153.5395.622_	153.7011.622_	225	Brown	110	0.29	236,000
153.5395.625_	153.7011.625_	250	Pink	110	0.25	292,500
153.5395.630_*	153.7011.630_*	300	Grey	110	0.21	486,000
153.5395.640_*	153.7011.640_*	400	Purple	110	0.13	964,000
153.5395.650_*	153.7011.650_*	500	Brown	110	0.12	1,449,000

Last figure of article no. = packaging code  
Corresponding holder see Section "Fuse Holders."  
\* Parts with asterisk are short circuit protectors only.

### Dimensions

Dimensions in mm



Littelfuse products are not designed for, and shall not be used for, any purpose (including, without limitation, automotive, military, aerospace, medical, life-saving, life-sustaining or nuclear facility applications, devices intended for surgical implant into the body, or any other application in which the failure or lack of desired operation of the product may result in personal injury, death, or property damage) other than those expressly set forth in applicable Littelfuse product documentation. Warranties granted by Littelfuse shall be deemed void for products used for any purpose not expressly set forth in applicable Littelfuse documentation. Littelfuse shall not be liable for any claims or damages arising out of products used in applications not expressly intended by Littelfuse as set forth in applicable Littelfuse documentation. The sale and use of Littelfuse products is subject to Littelfuse Terms and Conditions of Sale, unless otherwise agreed by Littelfuse.