

**658 Series Molded Base Surface Mount Fuse Block For 5x20mm Fuses**

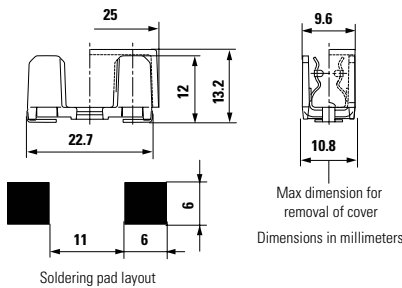


**Agency Approval**

Agency	Agency File Number
	40001499
	E70164*

\*See Ordering Info

**Dimensions**

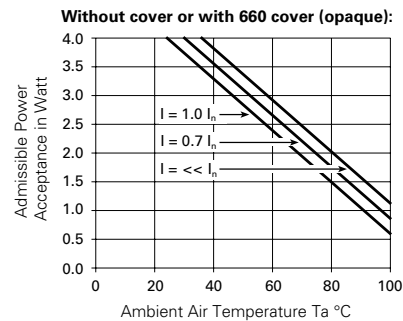
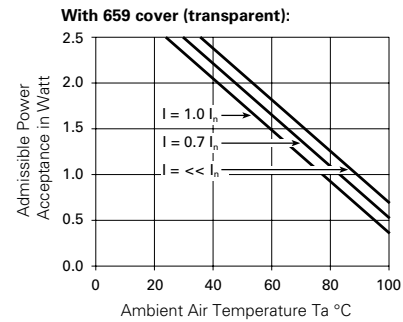


**Product Characteristics**

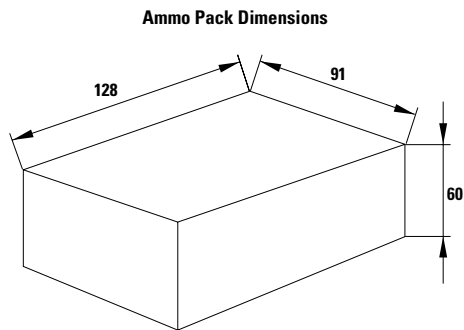
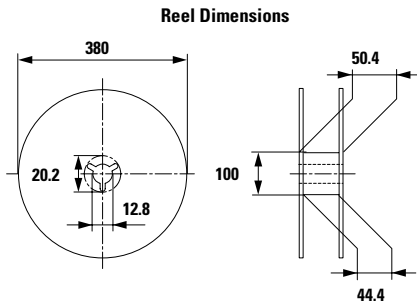
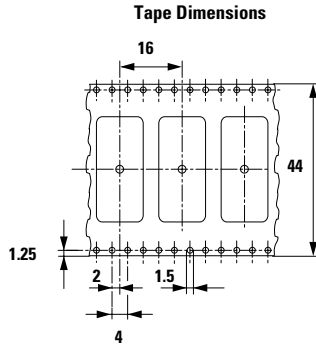
<b>Compatible Fuse</b>	<b>5x20 mm</b>
<b>Materials</b>	<b>Clip Frame:</b> 65800001xxx: UL94 V-0 Black Thermoplastic 65800003xxx: UL94 V-0 Black LCP 65800004xxx: UL94 V-0 Black LCP
	<b>Clip Terminals:</b> 65800001xxx: Tin (Sn) plated copper alloy 65800003xxx: Tin (Sn) plated copper alloy 65800004xxx: Gold (Au) plated copper alloy
<b>Electrical Data</b>	<b>Rated Voltage:</b> 250 Vac (VDE); 250 Vac/dc (UL/CSA)
	<b>Rated Current:</b> 10A <b>Rated Power Acceptance</b> (at ambient air temp 23°C): - 4W without cover - 4W with 660 cover - 2.5W with 659 cover
<b>Mounting</b>	SMT. Reflow soldering
<b>Operating Temperature</b>	-40°C to +85°C
<b>Stock Conditions</b>	0°C to +60°C, max 70% Relative humidity
<b>Vibration Resistance</b>	According to IEC 60068-2-6, test Fc
<b>Contact Resistance</b>	< 5 mΩ at 20 mV
<b>Dielectric Strength</b>	> 3kV, 50 Hz, 1 min.
<b>Impulse withstand Voltage</b>	> 4 kV between L-N
<b>Insulation Resistance</b>	(500 V DC/1 min): > 10 MΩ
<b>Solderability</b>	245 - 260°C / max. 30 sec. acc. to JEDEC J-STD-020D
<b>Soldering Profile</b>	JEDEC J-STD-020C: - 65800001xxx: 245(+0/-5)°C / 30 sec max. - 65800003xxx: 260(+0/-5)°C / 30 sec max. - 65800004xxx: 260(+0/-5)°C / 30 sec max.

**Note:** If used with covers, refer to [Fuseology](#) for information on proper fuse block re-rating.

**Re-Rating Curves**



### Packaging Dimensions (millimeter)



### Ordering Information

<b>65800001009</b>	Fuse Holder - Thermoplastic / Tin terminals (100 pcs bulk)
<b>65800001109</b>	Fuse Holder - Thermoplastic / Tin terminals (400 pcs tape & reel)
<b>65800003009*</b>	Fuse Holder - LCP plastic / Tin terminals (100 pcs bulk)
<b>65800003109*</b>	Fuse Holder - LCP plastic / Tin terminals (400 pcs tape & reel)
<b>65800004009*</b>	Fuse Holder - LCP plastic / Gold terminals (100 pcs bulk)
<b>65800004109*</b>	Fuse Holder - LCP plastic / Gold terminals (400 pcs tape & reel)
<b>65900001009</b>	Fuse Holder Cover - Transparent plastic (100 pcs bulk)
<b>66000001009</b>	Fuse Holder Cover - Opaque plastic, suitable for infrared (IR) reflow soldering processes (100 pcs bulk)

\* Not UL Recognized or CSA.

### Additional Information



**Datasheet**  
658 Series



**Resources**  
658 Series



**Samples**  
658 Series

659 Series



**Resources**  
659 Series



**Samples**  
659 Series

660 Series



**Resources**  
660 Series



**Samples**  
660 Series