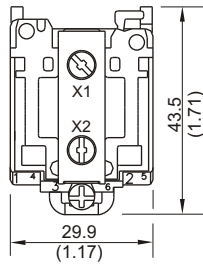
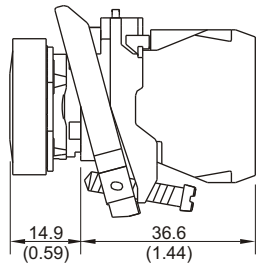




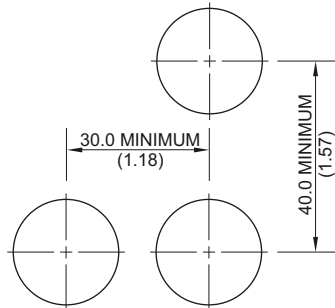
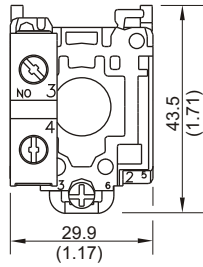
LED PILOT LIGHTS



LEGEND PLATE



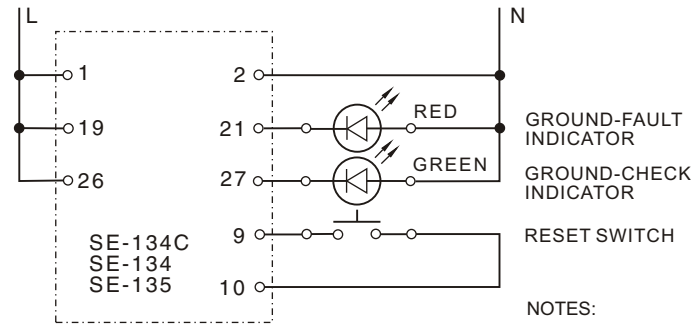
PUSH BUTTON



MOUNTING DETAIL

NOTES:

1. DIMENSIONS IN MILLIMETRES (INCHES).
2. ----- INDICATES CLEARANCE REQUIRED.
3. PANEL THICKNESS 1.0 TO 6.0 (0.04 TO 0.24).
4. NEMA 4X.



CONNECTION DIAGRAM

NOTES:

1. RK-132 COMPONENTS ARE NOT POLARITY SENSITIVE.
2. SEE SE-134, SE-134C OR SE-135 MANUAL FOR MORE INFORMATION.
3. MANUALS ARE AVAILABLE AT [www.startco.ca](http://www.startco.ca)

**RK-132**

REMOTE INDICATION AND RESET FOR SE-134 / SE-134C / SE-135

- 1 - LED PILOT LIGHT, RED: 24-120 V<sub>ac</sub>/ dc
- 1 - LED PILOT LIGHT, GREEN: 24-120 V<sub>ac</sub>/ dc
- 1 - PUSH BUTTON ASSEMBLY, YELLOW: 3 A @ 240 V<sub>ac</sub> - A600  
0.5A @ 125 V<sub>dc</sub> - Q600

- 1 - "RESET" LEGEND PLATE
- 1 - "GROUND CHECK" LEGEND PLATE
- 1 - "GROUND FAULT" LEGEND PLATE



Copyright © 2011  
Printed in Canada  
181011