

# 585 Series

## Cap for Fuse Holders for 5x20mm Fuses



**585 Cap**  
SLOTTED TOP  
FOR 5x20MM FUSE

### Product Characteristics

<b>Compatible Fuse Types</b>	5x20mm
<b>Materials</b>	Cap: Thermoplastic (Polyamide PA 66), UL 94 V-0, black Metal Parts: Copper alloy, corrosion protected
<b>Electrical Data (23°C)</b>	Rated Voltage: 250V Max. Current/Power: 6.3 A / 2.5 W
<b>Mounting</b>	Screw Finger Grip
<b>Protection Class &amp; Category</b>	IP 40 (IEC 60529)
<b>Operating Temperature</b>	-25 °C to 70 °C
<b>Storage Temperature</b>	10 °C to 60 °C
<b>Contact Resistance</b>	≤ 5mΩ
<b>Dielectric Strength</b>	3 kV, 50Hz, 1 min., dry
<b>Insulation Resistance</b>	> 10 <sup>3</sup> MΩ (500 V DC, 1 min.)

### Additional Information



Resources



Accessories

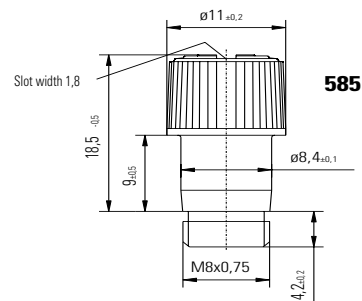


Samples

### Ordering Information

Description	Ordering Number	Packaging
Cap, 5x20 mm	58500000005	Bulk 100
Cap, 5x20mm	58500000015	Bulk 1000

### Dimensions



**Disclaimer Notice** - Information furnished is believed to be accurate and reliable. However, users should independently evaluate the suitability of and test each product selected for their own applications. Littelfuse products are not designed for, and may not be used in, all applications. Read complete Disclaimer Notice at: [www.littelfuse.com/disclaimer-electronics](http://www.littelfuse.com/disclaimer-electronics).