

# SL1011A and SL1411A Series

## Gas Discharge Tubes



### Web Resources



Download ECAD models, order samples, and find technical resources at [www.littelfuse.com/SL1011A](http://www.littelfuse.com/SL1011A)

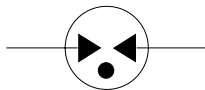


Download ECAD models, order samples, and find technical resources at [www.littelfuse.com/SL1411A](http://www.littelfuse.com/SL1411A)

### Agency Approvals

Agency	Agency File Number
	E128662

### 2 Electrode GDT Graphical Symbol



### Description

The SL1011A and SL1411A series provides high levels of protection against fast rising transients in the 100V/μs to 1kV/μs range usually caused by lightning disturbances.

The SL1011A and SL1411A series offers low capacitance (< 1.5pf) which provides low insertion loss at high frequencies.

SL1011A offers 5kA protection without destruction whereas the SL1411A offer 10kA surge protection without destruction (maximum single surge of 12kA @ 8/20μs).

### Features & Benefits

- Lead-free and RoHS compliant
- Low insertion loss
- Excellent response to fast rising transients
- Ultra low capacitance
- 5kA (SL1011A) or 10kA (SL1411A) surge capability tested with 8/20μs pulse as defined by IEC 61000-4-5 2nd Edition

### Applications

- Broadband equipment
- ADSL equipment
- XDSL equipment
- Satellite and CATV equipment
- General telecom equipment

# SL1011A and SL1411A Series

## Gas Discharge Tubes

### Electrical Characteristics

Part Number	Device Specifications (at 25°C)							Life Ratings							
	DC Breakdown in Volts <sup>1,2</sup> (@100V/s)			Impulse Breakdown in Volts <sup>3</sup> (@100V/μs)	Impulse Breakdown In Volts (@1kV/μs)	Insulation Resistance	Capacitance (@1MHz)	Arc Voltage (on state Voltage) @1Amp Min	Surge Life (@100A 10/1000μs)	Nominal Impulse Discharge Current (8/20μs)	Nominal AC Discharge Current (10x1s @50-60Hz)	AC Discharge Current (9 Cycles @ 50Hz)	DC Holdover Voltage <sup>4</sup>	Max Impulse Discharge Current (1 Application)	
	MIN	TYP	MAX	MAX		MIN	MAX	TYP					TYP	@ 8/20μs	@ 10/350μs
SL1011A075 SL1411A075	60	75	90	500	700	10 <sup>10</sup> Ω (at 50V)							50 V		
SL1011A090 SL1411A090	72	90	108	500	600										
SL1011A145 SL1011A150 SL1411A150 <sup>5</sup>	116	145	174	500	650	10 <sup>10</sup> Ω (at 100V)	1.5 pF	~20 V	300 shots	SL1011A: 10 shots (@5kA)	SL1011A: 5 A	SL1011A: 20 A	SL1411A: 12 kA	1 kA	
SL1011A230 SL1411A230	184	230	276	550	700										
SL1011A250 SL1411A250	200	250	300	600	800										
SL1011A260 SL1011A350 SL1411A350	210	260	310	600	800					SL1411A: 10 shots (@10kA)	SL1411A: 10 A	SL1411A: 65 A	135 V		
SL1011A470 SL1411A470	376	470	564	1000	1100										
SL1011A500 SL1011A600 SL1411A600 <sup>5</sup>	400	500	600	1100	1200										
	480	600	720	1200	1400										

**Notes:**

1. At delivery AQL 0.65 level II, DIN ISO 2859
2. In ionized mode
3. Comparable to the silicon measurement Switching Voltage (Vs)
4. Tested according to ITU-T Rec. K.12 < 150 msec.

### Product Characteristics

<b>Materials</b>	<b>Leaded Device:</b> Nickel-plated with Tin-plated wires <b>Core and Surface Mount:</b> Dull Tin-plated	<b>Glow to Arc Transition Current</b>	< 0.5 Amps
<b>Product Marking</b>	Littelfuse 'LF' Mark, voltage and date code	<b>Glow Voltage</b>	~60 Volts
		<b>Storage and Operational Temperature</b>	-40 to +90°C

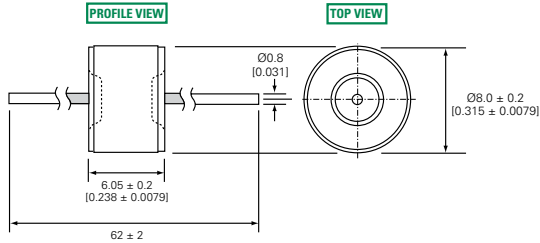
# SL1011A and SL1411A Series

## Gas Discharge Tubes

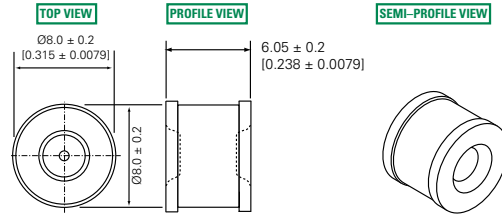
### Device Dimensions

#### For SL1011A Series:

##### 'A' Type Axial Lead Devices

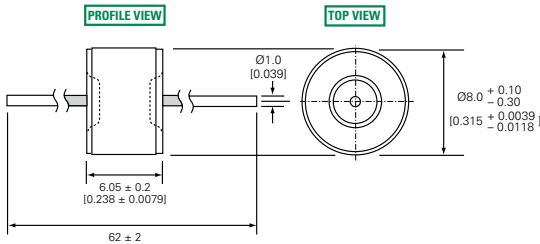


##### 'C' Type Core Devices

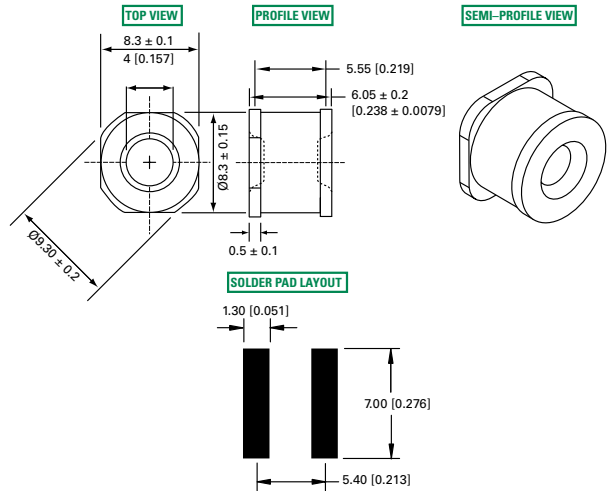


#### For SL1411A series:

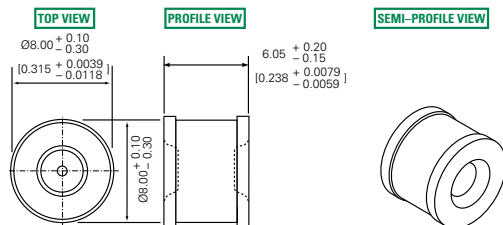
##### 'A' Type Axial Lead Devices



##### 'SM' Type Surface Mount Devices



##### 'C' Type Core Devices

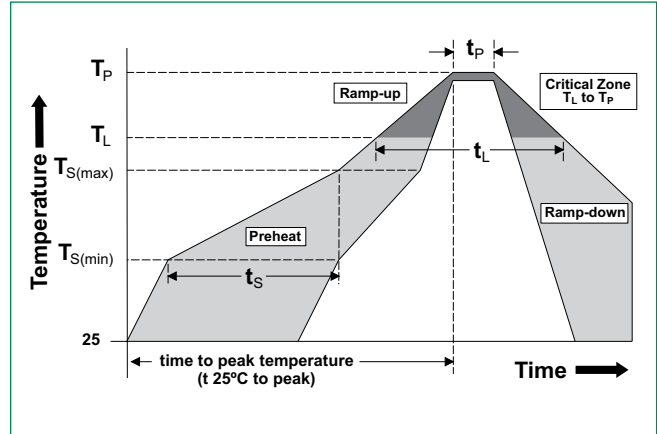


# SL1011A and SL1411A Series

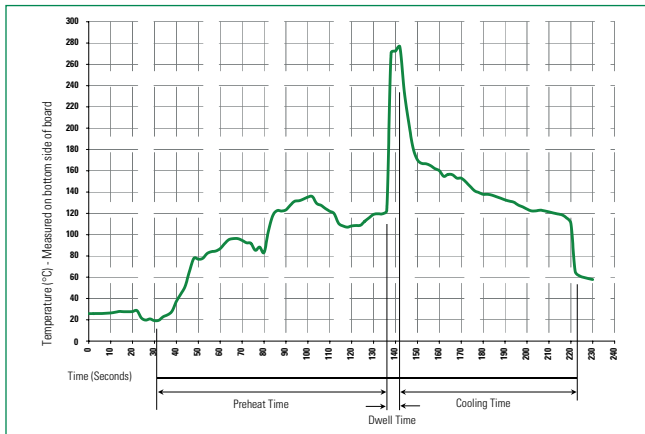
## Gas Discharge Tubes

### Soldering Parameters - Reflow Soldering (Surface Mount Devices)

<b>Reflow Condition</b>		Pb-free assembly
<b>Pre Heat</b>	- Temperature Min ( $T_{s(min)}$ )	150°C
	- Temperature Max ( $T_{s(max)}$ )	200°C
	- Time (Min to Max) ( $t_s$ )	60 – 180 seconds
<b>Average Ramp-up Rate (Liquidus Temp (<math>T_L</math>) to peak)</b>		3°C/second max.
<b><math>T_{s(max)}</math> to <math>T_L</math> - Ramp-up Rate</b>		5°C/second max.
<b>Reflow</b>	- Temperature ( $T_L$ ) (Liquidus)	217°C
	- Temperature ( $t_L$ )	60 – 150 seconds
<b>Peak Temperature (<math>T_p</math>)</b>		260 <sup>+0/-5</sup> °C
<b>Time within 5°C of Actual Peak Temperature (<math>t_p</math>)</b>		10 – 30 seconds
<b>Ramp-down Rate</b>		6°C/second max.
<b>Time 25°C to Peak Temperature (<math>T_p</math>)</b>		8 minutes max.
<b>Do not exceed</b>		260°C



### Soldering Parameters - Wave Soldering (Thru-Hole Devices)



#### Recommended Process Parameters:

Wave Parameter	Lead-Free Recommendation
<b>Preheat:</b> (Depends on Flux Activation Temperature)	
Temperature Minimum:	100° C
Temperature Maximum:	150° C
Preheat Time:	60-180 seconds
<b>Solder Pot Temperature:</b>	
	280° C Maximum
<b>Solder Dwell Time:</b>	
	2-5 seconds

#### Soldering Parameters - Hand Soldering

Solder Iron Temperature: 350° C +/- 5°C  
 Heating Time: 5 seconds max.

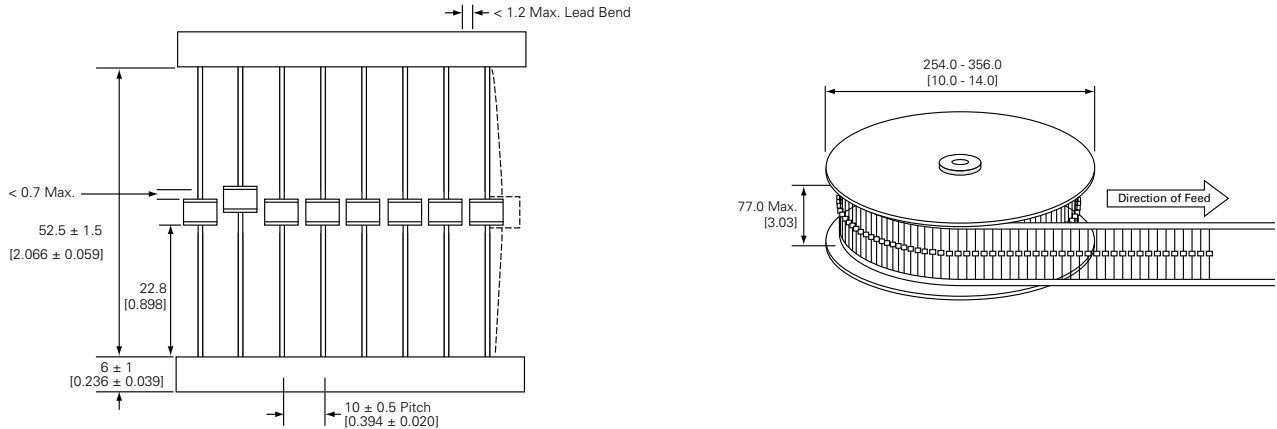
# SL1011A and SL1411A Series

## Gas Discharge Tubes

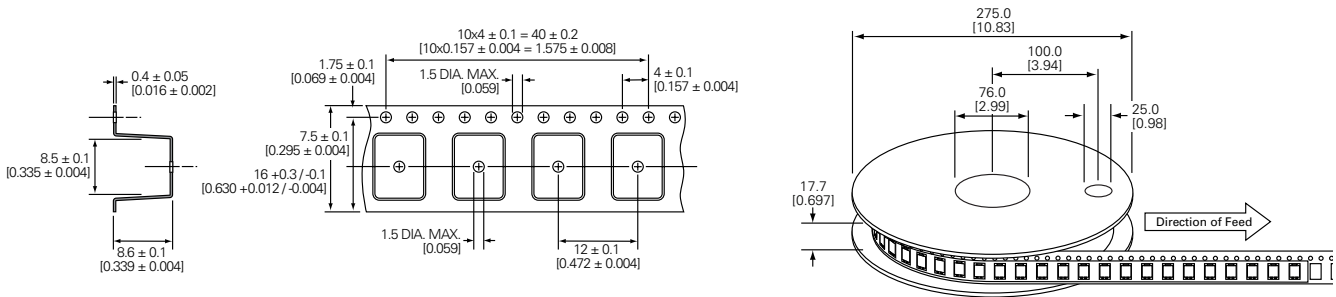
### Packaging Dimensions

Dimensions are in millimeters [and inches]

#### For Axial Lead Items



#### For 'SM' Type Surface Mount Items (SL1411A series only)



#### For 'C' Type Core Items: Packed in plastic bag (500 pcs)

### Part Numbering System and Ordering Information

For SL1011A series:

**SL1011A XXX X**

**Voltage** \_\_\_\_\_

**Pin Configuration** \_\_\_\_\_

A = Axial Lead

C = Core

Remarks: Formed leads are available on request

For SL1411A series:

**SL1411 A XXX XX**

**Surge Capability** \_\_\_\_\_

**Voltage** \_\_\_\_\_

**Pin Configuration** \_\_\_\_\_

A = Axial Lead

C = Core

SM = Surface Mount

**Disclaimer Notice** - Information furnished is believed to be accurate and reliable. However, users should independently evaluate the suitability of and test each product selected for their own applications. Littelfuse products are not designed for, and may not be used in, all applications. Read complete Disclaimer Notice at: [www.littelfuse.com/disclaimer-electronics](http://www.littelfuse.com/disclaimer-electronics).