

Accessories

EFCT SERIES CURRENT TRANSFORMER



Current Sensor



Description

The EFCT series is a sensitive nickel-core current transformer used with Littelfuse relays to detect low levels of earth-leakage current.

Accessories



EFCT-1FC Flux Conditioner

used with the EFCT-1 to reduce saturation and prevent false operation due to large surge currents.

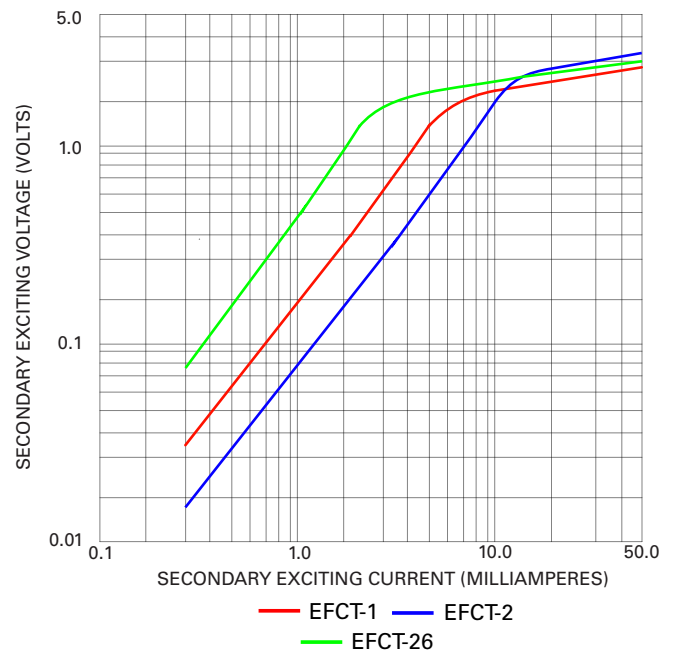
Ordering Information

ORDERING NUMBER	WINDOW SIZE, ID	WEIGHT
EFCT-26	26 mm (1.0")	0.4 kg (1 lb)
EFCT-1	82 mm (3.2")	0.9 kg (2 lb)
EFCT-2	139 mm (5.5")	2.7 kg (6 lb)

Specifications

Turns Ratio	100:1
Current Rating	5:0.05 A
Accuracy	3% @ 0.01 VA
Frequency	50 to 400 Hz ¹ 0 to 6 kHz for EL731
Insulation Level	600 V
Operating Temperature	-55 to 60°C (-67 to 140°F)
Application	EL731, FPU-32, FPS, MPU-32, MPS, SE-330, SE-701, SE-703
Certification	CSA, UL, CE
Compliance	RoHS, IEC 60044-1

Note: ¹ Frequency response may be extended for specific product families.

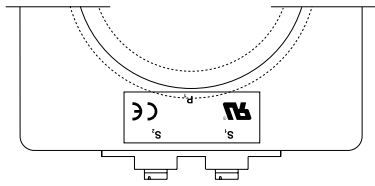


Accessories

EFCT SERIES CURRENT TRANSFORMER

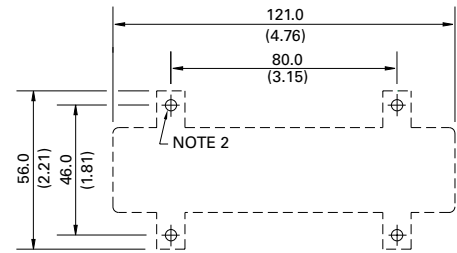
Dimensions and Mounting Diagram

EFCT-1

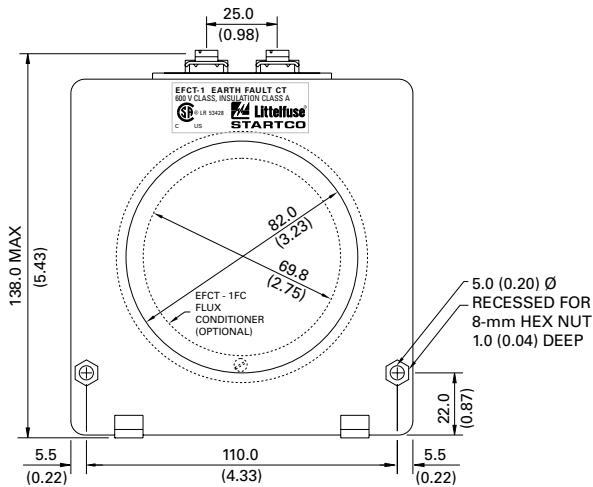


NOTES:

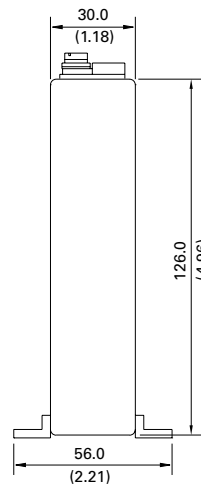
1. DIMENSIONS IN MILLIMETRES (INCHES).
2. MOUNTING SCREWS: M4 OR 8-32.
3. PRESS MOUNTING FEET IN PLACE USING INSTALLATION TOOL PROVIDED.
4. RoHS COMPLIANT.
5. EN 60044-1 COMPLIANT.



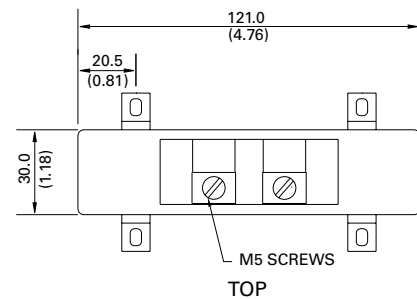
MOUNTING DETAIL



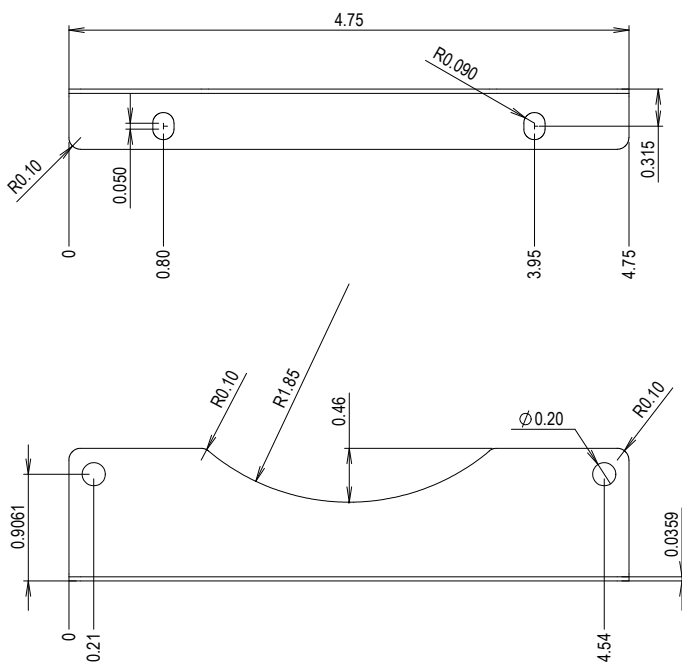
FRONT



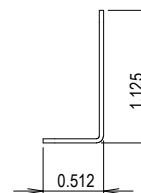
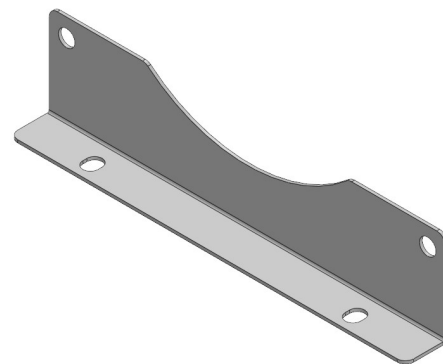
SIDE



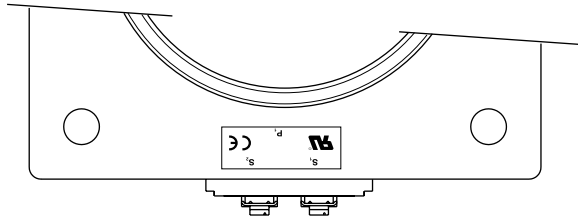
TOP



MOUNTING FEET

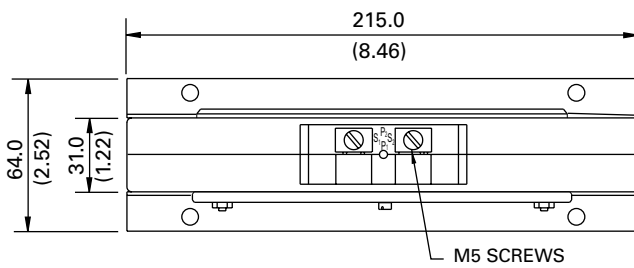


Dimensions and Mounting Diagram
EFCT-2

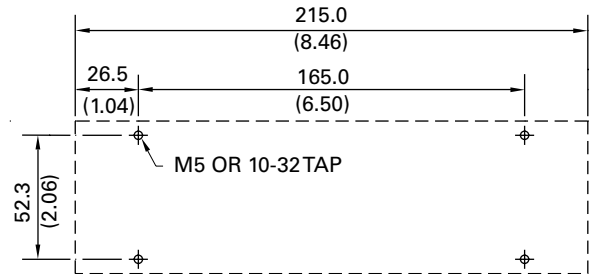


NOTES:

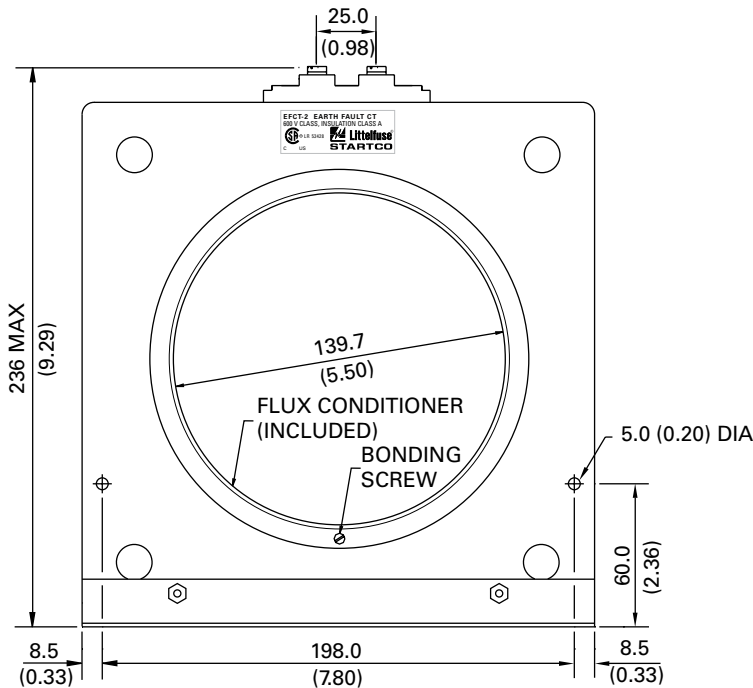
1. DIMENSIONS IN MILLIMETRES (INCHES).
2. MOUNTING SCREWS: M5 OR 10-32.
3. RoHS COMPLIANT.
4. EN 60044-1 COMPLIANT.



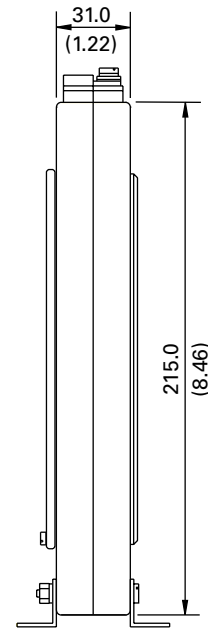
TOP



MOUNTING DETAIL



FRONT



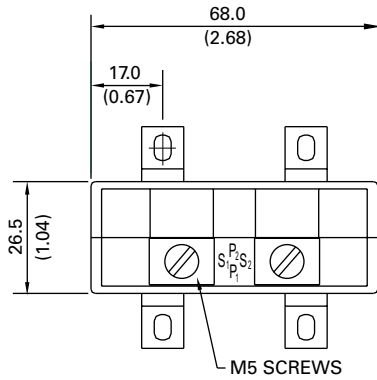
SIDE

Accessories

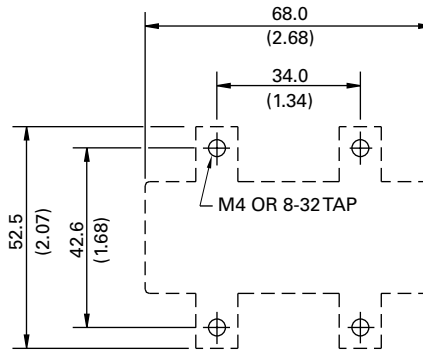
EFCT SERIES CURRENT TRANSFORMER

Dimensions and Mounting Diagram

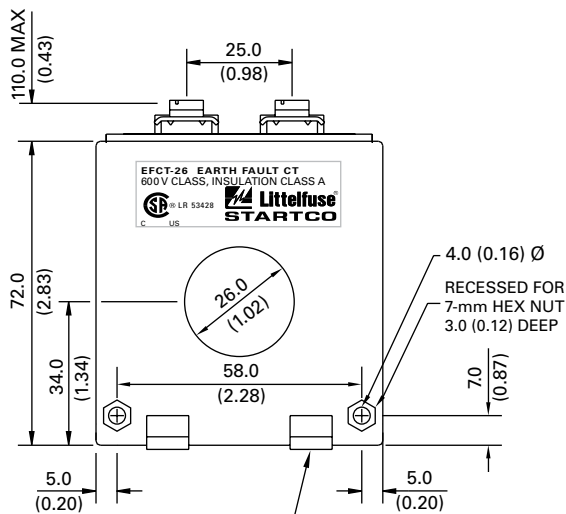
EFCT-26



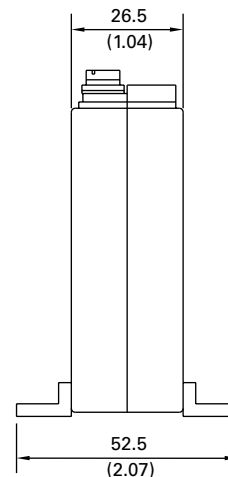
TOP



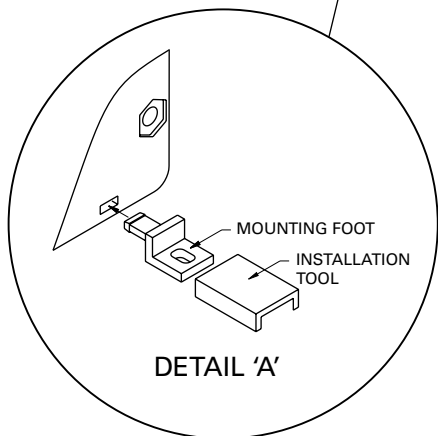
MOUNTING DETAIL



FRONT



SIDE



DETAIL 'A'

NOTES:

1. DIMENSIONS IN MILLIMETRES (INCHES).
2. MOUNTING SCREWS: M4 OR 8-32.
3. PRESS MOUNTING FEET IN PLACE USING INSTALLATION TOOL PROVIDED. (DETAIL 'A')
4. RoHS COMPLIANT.
5. EN 60044-1 COMPLIANT.
6. NOT ALL CERTIFICATIONS SHOWN.

Disclaimer Notice – Information furnished is believed to be accurate and reliable. However, users should independently evaluate the suitability of and test each product selected for their own applications. Littelfuse products are not designed for, and may not be used in, all applications. Read complete Disclaimer Notice at www.littelfuse.com/product-disclaimer.