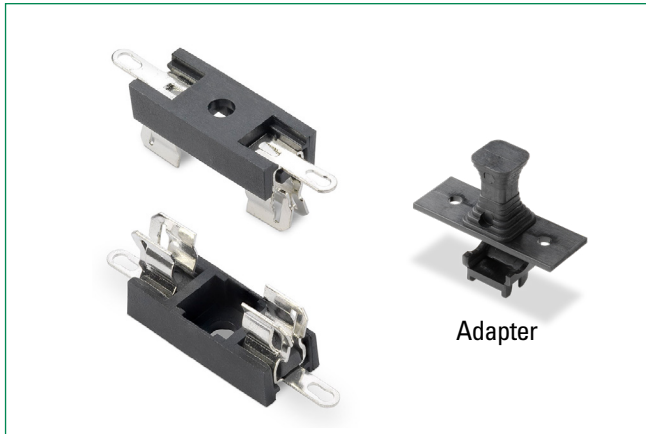


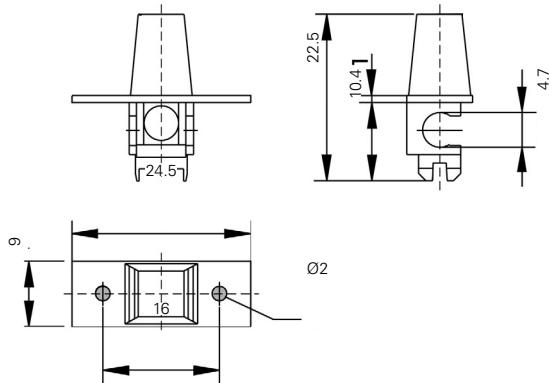
# 647 Series

## Molded Fuse Block and 640 Series Adapter for 5×20 mm Fuses

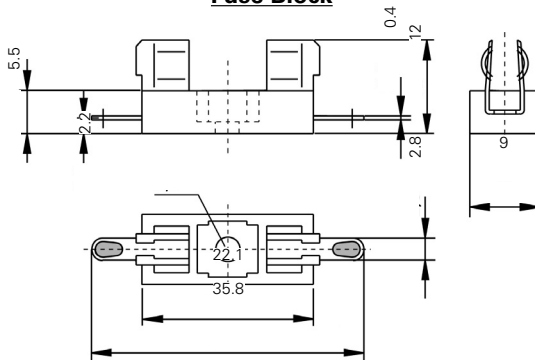


### Dimensions (mm)

#### Adapter



#### Fuse Block



### Product Characteristics

<b>Compatible Fuse Sizes</b>	<b>5×20 mm</b>
<b>Materials</b>	<b>Holder:</b> Black Thermoplastic, UL94 V-0 Polyamide PA 6.6 <b>Adapter 640 Series (Optional):</b> Polyester PBT, UL94 V-0 <b>Metal Parts:</b> Tin plated copper alloy
<b>Electrical Data (23°C)</b>	<b>Rated Voltage:</b> 250 V Max. Current/Power: 6.3 A/2.5 W 6.3 A/1.6 W (with 640 Series Adapter)
<b>Mounting</b>	Ø3 mm screw hole (Hand adapter can be optionally used with Holder 646 Series and 647 Series)
<b>Terminals</b>	Solderable or 2.8 mm quick connect - fits 0.5 mm tabs
<b>Minimum Cross Section</b>	Conducting path - 2.5 mm <sup>2</sup>
<b>Unit Weight</b>	1.7 g (Holder), 1.0 g (Adapter)

### Ordering Information

Ordering PN	Description
<b>64700001003</b>	5X20 mm Fuse Block Cable Type
<b>64000001003</b>	Adapter Black
<b>64000001403</b>	Adapter Brown
<b>64000001503</b>	Adapter White
<b>64000001603</b>	Adapter Yellow
<b>64000001703</b>	Adapter Green
<b>64000001903</b>	Adapter Blue

### Additional Information



Resources



Accessories



Samples

**Disclaimer Notice** - Information furnished is believed to be accurate and reliable. However, users should independently evaluate the suitability of and test each product selected for their own applications. Littelfuse products are not designed for, and may not be used in, all applications. Read complete Disclaimer Notice at: [www.littelfuse.com/disclaimer-electronics](http://www.littelfuse.com/disclaimer-electronics).