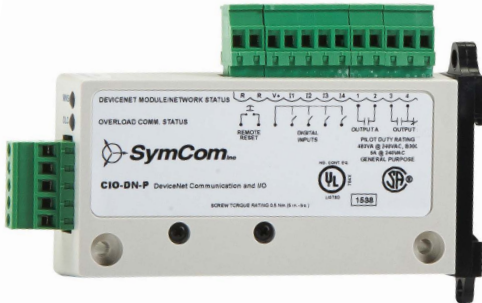


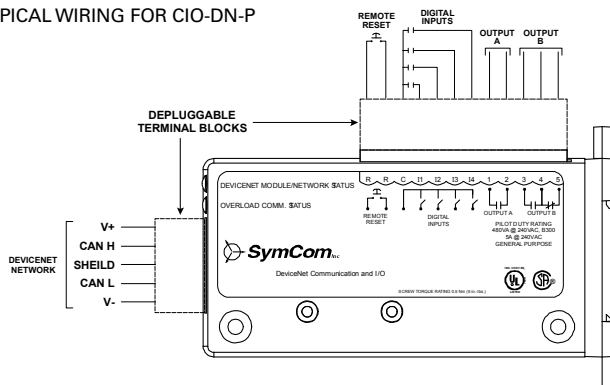
# CIO-DN-P/CIO-120-DN-P

Communication link to PLC/SCADA/  
monitoring systems

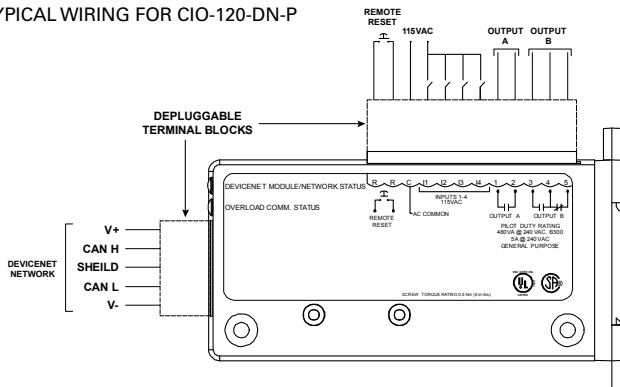


## Wiring Diagram

TYPICAL WIRING FOR CIO-DN-P



TYPICAL WIRING FOR CIO-120-DN-P



## Description

The CIO-DN-P/CIO-120-DN-P are convenient and cost-effective Devicenet™ interfaces capable of providing discrete control and monitoring of motor starters, drives and other devices over a Devicenet™ network.

## Features & Benefits

FEATURES	BENEFITS
<b>Compact size</b> 3.4" H x 1.0" W x 5.46" D	Easily adapts to existing as well as new applications
<b>Flexible addressing standard allows function as stand-alone interface or in conjunction with 777 series overload relay</b>	Provides flexibility for control and monitoring
<b>Remote reset option</b>	Additional remote reset input allows user to reset 777 series relays without opening the panel
<b>DIN rail or surface mountable</b>	Allows installation flexibility
<b>Unpluggable terminal block connections</b>	Allows user to wire terminal blocks before installing the module and reduces field wiring

## Specifications

### Input Characteristics

### Power Requirements

<b>Voltage (nominal)</b>	24VDC
<b>Current</b>	137mA (max.)
<b>Power</b>	3.28 W (max.)

### Digital Inputs

### Voltage Range

<b>CIO-DN-P</b>	12-24 VAC
<b>CIO-120-DN-P</b>	90-130VAC

### Frequency

50/60Hz

### Maximum Current

2mA (typical)

### Remote Reset

24VDC, 10mA (min.), NO pushbutton

### Output Characteristics

### Form A & Form C Contactors

480VA @ 240VAC, B300

### General Purpose

5A @ 240VAC

### General Characteristics

**Temperature Range** -20° to 70°C (-4° to 158°F)

**Relative Humidity** 10-95%, non-condensing

**Wire Gauge** Solid or stranded, 12-20 AWG

**Terminal Torque** 3 in.-lbs.

### Hi-Potential Test

(relays to other circuits) (2 x rated V + 1000V for 1 minute)

## Ordering Information

MODEL	LINE VOTAGE
CIO-DN-P	12 to 24VAC
CIO-120-DN-P	90 to 130VAC

## CIO-DN-P/CIO-120-DN-P



### EMC Standards

**Electrostatic Discharge (ESD)** IEC 61000-4-2, Level 3, 6kV contact, 8kV air

### Radio Frequency Immunity,

#### Radiated

150 MHz, 10V/m

### Fast Transient Burst

IEC 61000-4-4, Level 3, 4kV input power

### Safety Marks

#### UL, ULC Listed

UL508 (File #E68520)

#### CSA

C22.2 (File #46510)

### Enclosure

Polycarbonate

### Dimensions

**H** 86.36 mm (3.4"); **W** 25.4 mm (1.0");

**D** 138.68 mm (5.46")

(w/depluggable connectors)

### Weight

0.25 lb. (4 oz., 113.4 g)

(w/depluggable connectors)

### Mounting Methods

DIN Rail or surface mount (w/two #8 screws)