



High Power Sonic FRD Type E0460QC45E

Absolute Maximum Ratings

| | VOLTAGE RATINGS | MAXIMUM LIMITS | UNITS |
|---------------|---|----------------|-------|
| V_{RRM} | Repetitive peak reverse voltage, (note 1) | 4500 | V |
| V_{RSM} | Non-repetitive peak reverse voltage, (note 1) | 4600 | V |
| $V_{R(d.c.)}$ | Maximum reverse d.c. voltage (note 1) | 2800 | V |

| | OTHER RATINGS (note 6) | MAXIMUM LIMITS | UNITS |
|---------------|---|------------------|-------------|
| $I_{F(AV)M}$ | Mean forward current, $T_{sink}=55^{\circ}C$, (note 2) | 533 | A |
| $I_{F(AV)M}$ | Mean forward current. $T_{sink}=100^{\circ}C$, (note 2) | 328 | A |
| $I_{F(AV)M}$ | Mean forward current. $T_{sink}=100^{\circ}C$, (note 3) | 173 | A |
| $I_{F(AV)M}$ | Mean forward current. $T_{sink}=100^{\circ}C$, (note 4) | 227 | A |
| $I_{F(RMS)}$ | Nominal RMS forward current, $T_{sink}=25^{\circ}C$, (note 2) | 1007 | A |
| $I_{F(d.c.)}$ | D.C. forward current, $T_{sink}=25^{\circ}C$, (note 4) | 897 | A |
| I_{FSM} | Peak non-repetitive surge $t_p=10ms$, $V_{RM}=60\%V_{RRM}$, (note 6) | 6800 | A |
| I_{FSM2} | Peak non-repetitive surge $t_p=10ms$, $V_{RM}\leq 10V$, (note 6) | 7480 | A |
| I^2t | I^2t capacity for fusing $t_p=10ms$, $V_{RM}=60\%V_{RRM}$, (note 6) | 231×10^3 | A^2s |
| I^2t | I^2t capacity for fusing $t_p=10ms$, $V_{RM}\leq 10V$, (note 6) | 280×10^3 | A^2s |
| P_{rr} | Maximum non-repetitive peak reverse recovery power, (note 8) | 1.8 | MW |
| $T_{j op}$ | Operating temperature range | -40 to +140 | $^{\circ}C$ |
| T_{stg} | Storage temperature range | -40 to +150 | $^{\circ}C$ |

Notes:-

- 1) De-rating factor of 0.13% per $^{\circ}C$ is applicable for T_j below $25^{\circ}C$.
- 2) Double side cooled, single phase; 50Hz, 180° half-sinewave.
- 3) Anode side cooled, single phase; 50Hz, 180° half-sinewave.
- 4) Cathode side cooled, single phase; 50Hz, 180° half-sinewave.
- 5) Double side cooled.
- 6) Half-sinewave, $140^{\circ}C$ T_j initial.
- 7) Current (I_F) ratings have been calculated using V_{T0} and r_T (see page 2)
- 8) $T_j=T_{jop}$, $I_F=460A$, $di/dt=2000A/\mu s$ $V_r=2800V$ and $L_s=250nH$. Test circuit and sample waveform are shown in diagram 1. IGBT type T0510VB45E used as switch.

Characteristics

| | PARAMETER | MIN. | TYP. | MAX. | TEST CONDITIONS (Note 1) | UNITS |
|-------------------|--|------|------|--------|---|-------|
| V _{FM} | Maximum peak forward voltage | - | 3.25 | 3.45 | I _{FM} =460A | V |
| | | - | - | 4.85 | I _{FM} =920A | |
| V _{T0} | Threshold voltage | - | - | 2.246 | Current range 533A - 1599A (Note 2) | V |
| r _T | Slope resistance | - | - | 2.716 | | mΩ |
| V _{T01} | Threshold voltage | - | - | 2.15 | Current range 460A – 1380A | V |
| r _{T1} | Slope resistance | - | - | 2.83 | | mΩ |
| V _{FRM} | Maximum forward recovery voltage | - | - | 540 | di/dt = 3000A/μs | V |
| | | - | - | 330 | di/dt = 3000A/μs, T _j =25°C | |
| I _{RRM} | Peak reverse current | - | - | 90 | Rated V _{RRM} | mA |
| | | - | - | 2 | Rated V _{RRM} , T _j =25°C | |
| Q _{rr} | Recovered charge | - | 685 | 755 | I _{FM} =460A, t _p =1ms, di/dt=1000A/μs, V _r =2800V, 50% Chord (note 3) | μC |
| Q _{ra} | Recovered charge, 50% Chord | - | 265 | - | | μC |
| I _{rm} | Reverse recovery current | - | 460 | 510 | | A |
| t _{rr} | Reverse recovery time, 50% Chord | - | 1.15 | - | | μs |
| E _{rr} | Reverse recovery time energy loss | - | 1.32 | 1.45 | | J |
| | | - | - | - | | |
| Q _{rr} | Recovered charge | - | 1100 | 1250 | I _{FM} =460A, t _p =1ms, di/dt=2000A/μs, V _r =2800V, 50% Chord (note 3) | μC |
| Q _{ra} | Recovered charge, 50% Chord | - | 305 | - | | μC |
| I _{rm} | Reverse recovery current | - | 680 | 770 | | A |
| t _{rr} | Reverse recovery time, 50% Chord | - | 0.9 | - | | μs |
| E _{rr} | Reverse recovery time energy loss | - | 1.70 | 1.88 | | J |
| | | - | - | - | | |
| R _{thJK} | Thermal resistance, junction to heatsink | - | - | 0.0274 | Double side cooled | K/W |
| | | - | - | 0.0676 | Anode side cooled | |
| | | - | - | 0.0467 | Cathode side cooled | |
| F | Mounting force | 12 | - | 20 | (Note 4) | kN |
| W _t | Weight | - | 300 | - | | g |

Notes:-

- 1) Unless otherwise indicated T_j=140°C.
- 2) V_{T0} and r_T were used to calculate the current ratings illustrated on page one.
- 3) Figures 3-7 were compiled using these conditions. Test circuit and sample waveform are shown in diagram 1.
- 4) For clamp forces outside these limits, please consult factory.

Additional information on Ratings and Characteristics

1.0 De-rating Factor

A blocking voltage de-rating factor of 0.13% per °C is applicable to this device for T_j below 25°C.

2.0 ABCD Constants

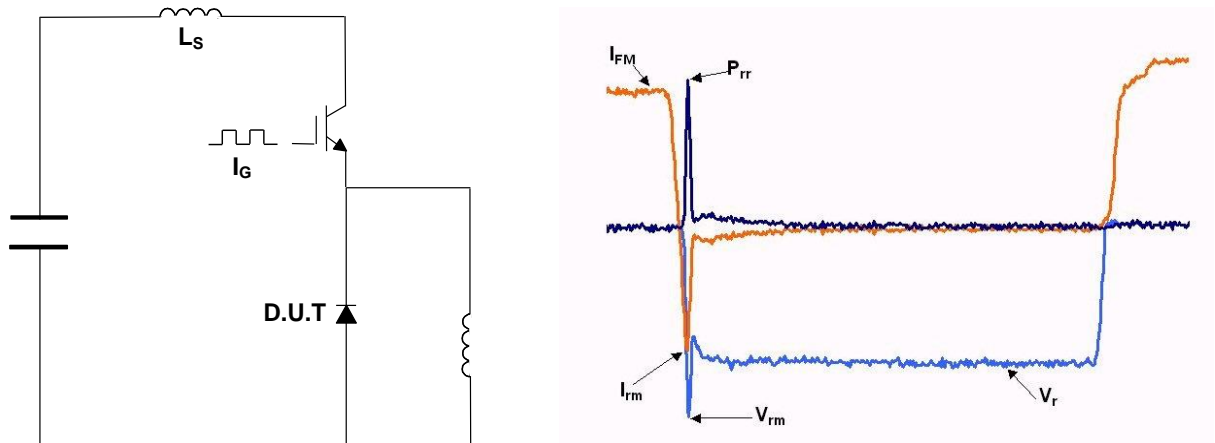
These constants (applicable only over current range of V_F characteristic in Figure 1) are the coefficients of the expression for the forward characteristic given below:

$$V_F = A + B \cdot \ln(I_F) + C \cdot I_F + D \cdot \sqrt{I_F}$$

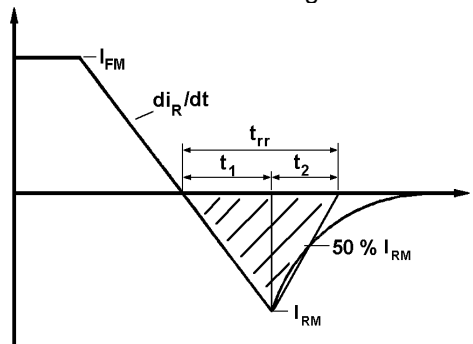
where I_F = instantaneous forward current.

3.0 Reverse recovery ratings

Diagram 1 – Reverse Recovery test circuit and sample waveform



(i) Q_{ra} is based on 50% I_{rm} chord as shown in Figure below.



(ii) Q_{rr} is based on a 20µs integration time.

i.e.

$$Q_{rr} = \int_0^{20\mu s} i_{rr} \cdot dt$$

$$(iii) \quad K \text{ Factor} = \frac{t_1}{t_2}$$

4.0 Reverse Recovery Loss

The following procedure is recommended for use where it is necessary to include reverse recovery loss.

From waveforms of recovery current obtained from a high frequency shunt (see Note 1) and reverse voltage present during recovery, an instantaneous reverse recovery loss waveform must be constructed. Let the area under this waveform be E joules per pulse. A new sink temperature can then be evaluated from:

$$T_{SINK} = T_{J(MAX)} - E \cdot \left[k + f \cdot R_{th(J-Hs)} \right]$$

Where k = 0.2314 (°C/W)/s

E = Area under reverse loss waveform per pulse in joules (W.s.)

f = Rated frequency in Hz at the original sink temperature.

R_{th(J-Hs)} = d.c. thermal resistance (°C/W)

The total dissipation is now given by:

$$W_{(tot)} = W_{(original)} + E \cdot f$$

NOTE 1 - Reverse Recovery Loss by Measurement

This device has a low reverse recovered charge and peak reverse recovery current. When measuring the charge, care must be taken to ensure that:

(a) AC coupled devices such as current transformers are not affected by prior passage of high amplitude forward current.

(b) A suitable, polarised, clipping circuit must be connected to the input of the measuring oscilloscope to avoid overloading the internal amplifiers by the relatively high amplitude forward current signal.

(c) Measurement of reverse recovery waveform should be carried out with an appropriate critically damped snubber, connected across diode anode to cathode. The formula used for the calculation of this snubber is shown below:

$$R^2 = 4 \cdot \frac{V_r}{C_s \cdot di/dt}$$

Where: V_r = Commutating source voltage

C_s = Snubber capacitance

R = Snubber resistance

5.0 Computer Modelling Parameters

5.1 Device Dissipation Calculations

$$I_{AV} = \frac{-V_{T0} + \sqrt{V_{T0}^2 + 4 \cdot ff^2 \cdot r_T \cdot W_{AV}}}{2 \cdot ff^2 \cdot r_T}$$

Where $V_{T0} = 2.246V$, $r_T = 2.716m\Omega$

ff = form factor (normally unity for fast diode applications)

$$W_{AV} = \frac{\Delta T}{R_{th}}$$

$$\Delta T = T_{j(MAX)} - T_K$$

5.2 Calculation of V_F using ABCD Coefficients

The forward characteristic I_F Vs V_F , on page 6 is represented in two ways;

- (i) the well-established V_{T0} and r_T tangent used for rating purposes and
- (ii) a set of constants A, B, C, and D forming the coefficients of the representative equation for V_F in terms of I_F given below:

$$V_F = A + B \cdot \ln(I_F) + C \cdot I_F + D \cdot \sqrt{I_F}$$

The constants, derived by curve fitting software, are given in this report for both hot and cold characteristics. The resulting values for V_F agree with the true device characteristic over a current range, which is limited to that plotted.

| | 25°C Coefficients | 140°C Coefficients |
|---|---------------------------|---------------------------|
| A | 0.658802329 | 0.509419974 |
| B | 0.2476167 | 0.102603 |
| C | 1.668955×10^{-3} | 1.365402×10^{-3} |
| D | 0.02122774 | 0.07848953 |

Curves

Figure 1 – Forward characteristics of limit device

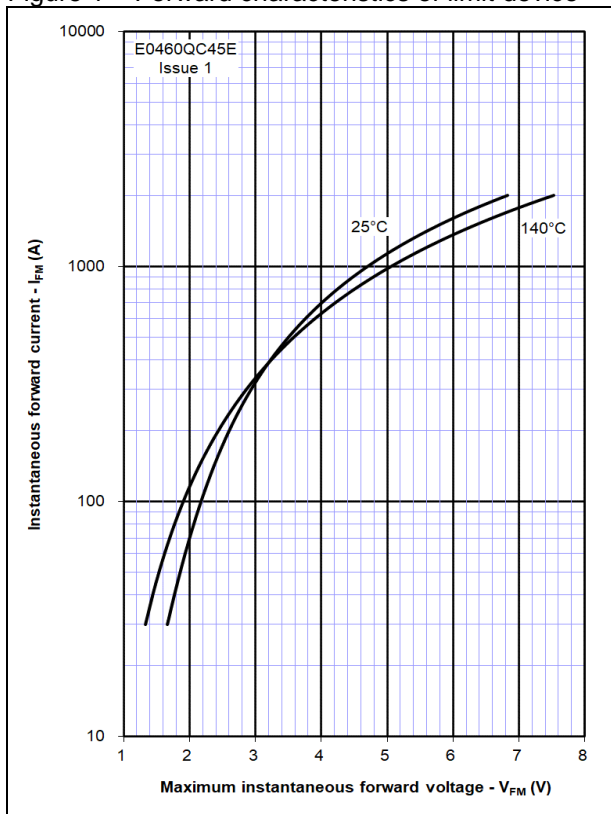


Figure 2 – Maximum forward recovery voltage

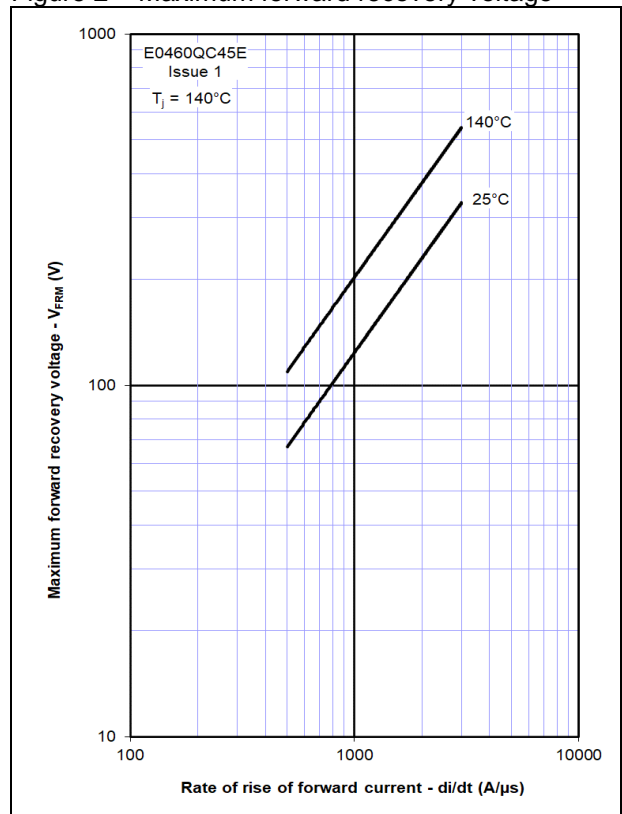


Figure 3 – Maximum recovered charge, Q_{rr}

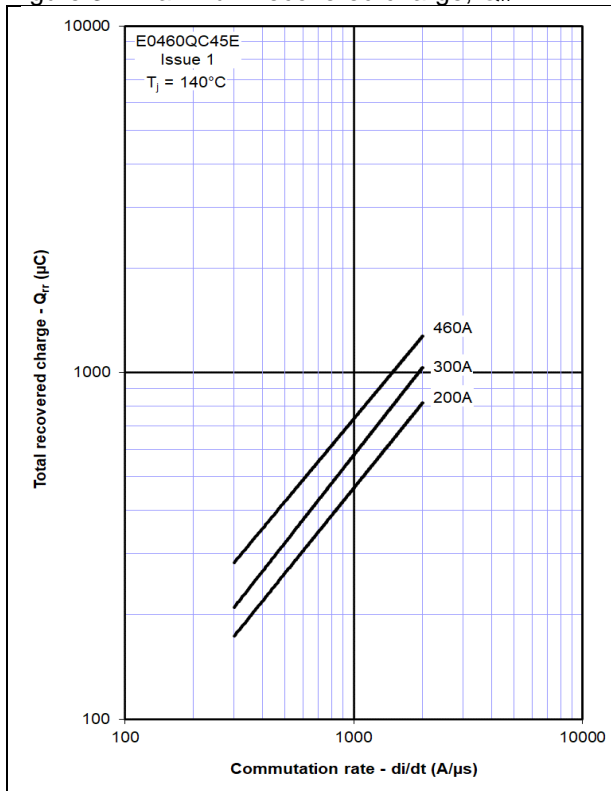


Figure 4 – Maximum recovery charge, Q_{ra} (50% chord)

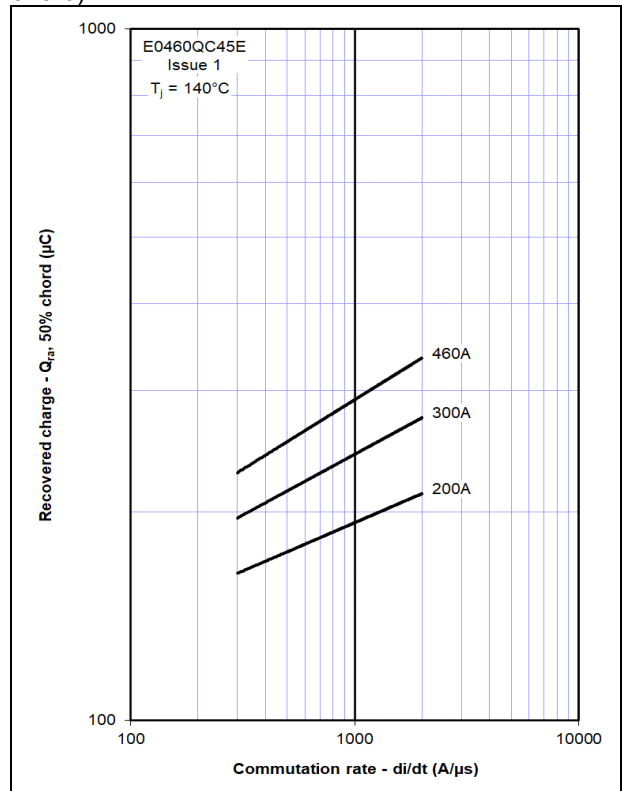


Figure 5 - Maximum reverse current, I_{rm}

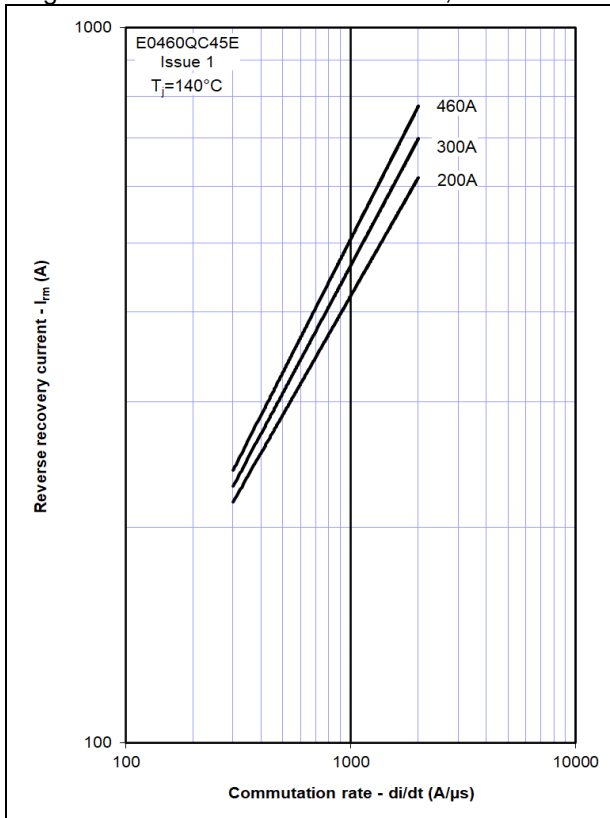


Figure 6 – Maximum recovery time, t_{rr} (50% chord)

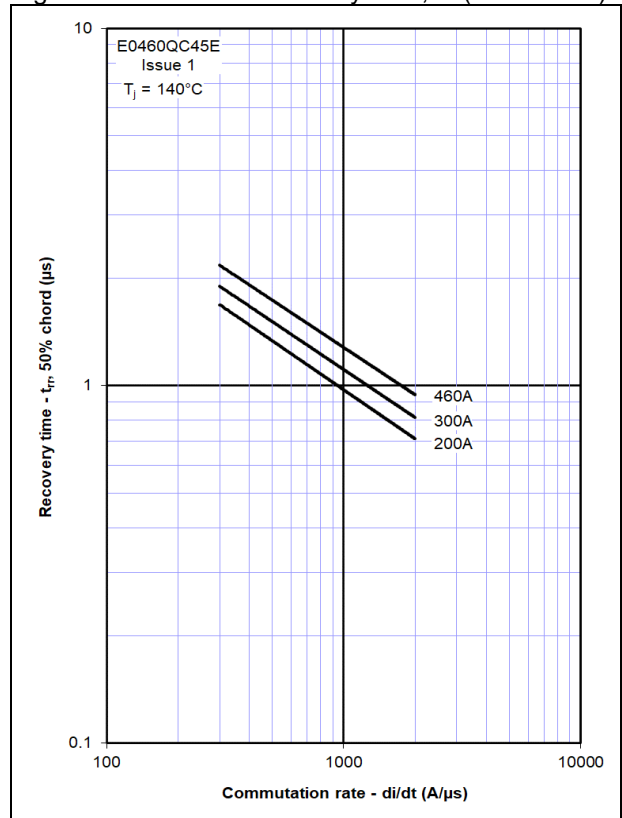


Figure 7 – Typical reverse recovery energy per pulse

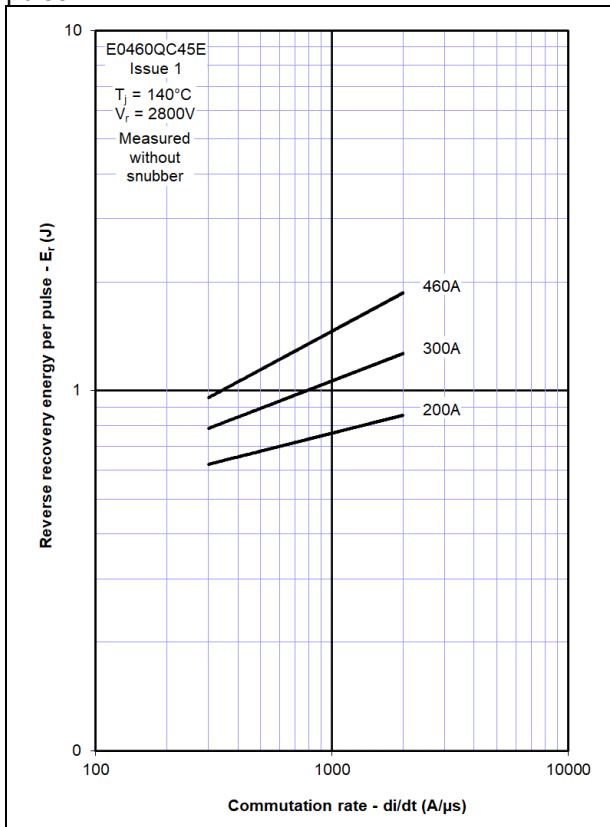


Figure 8 – Sine wave energy per pulse

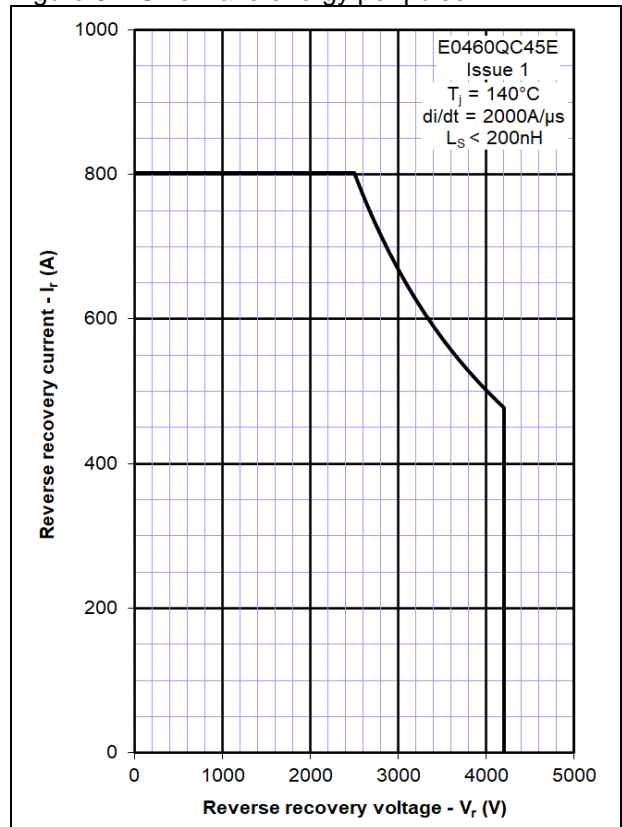


Figure 9 – Transient thermal impedance

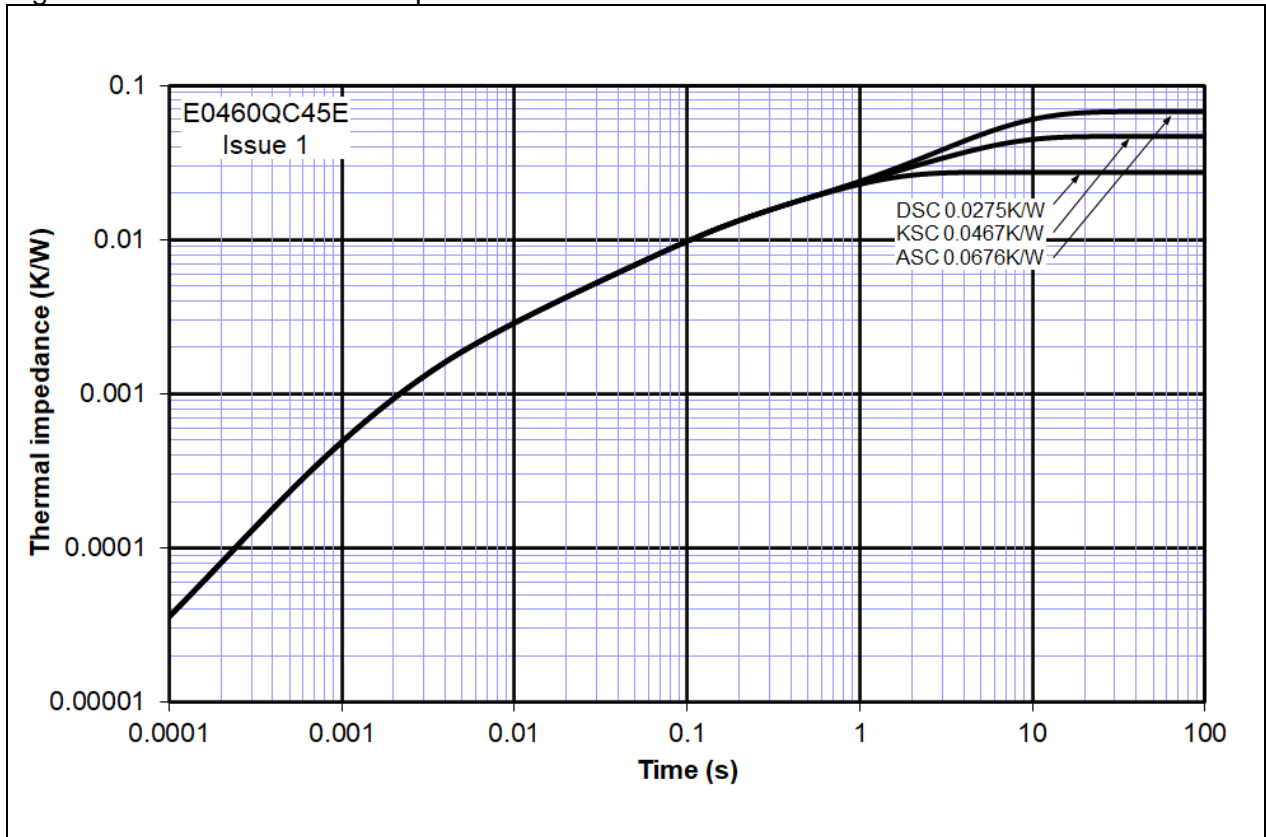
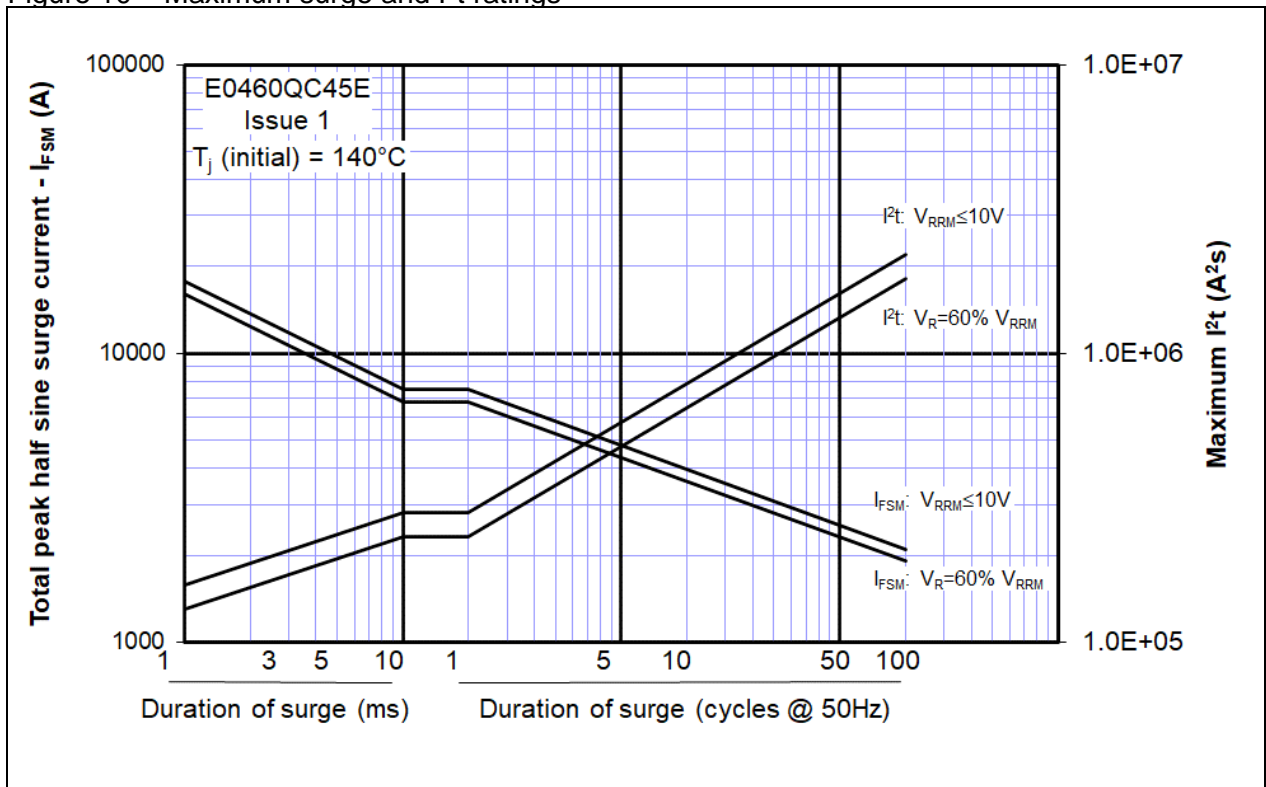
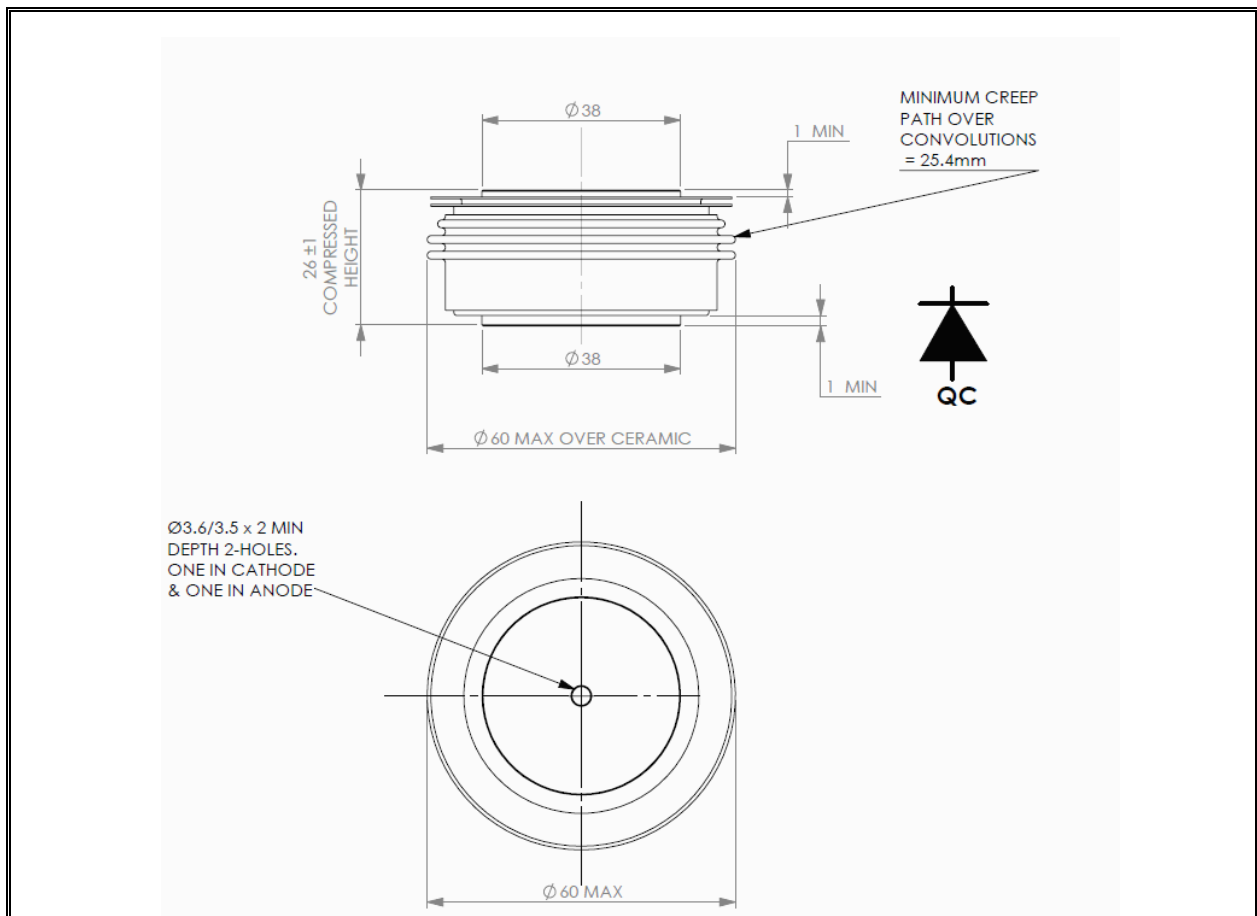


Figure 10 – Maximum surge and I²t ratings



Outline Drawing & Ordering Information


100A375

ORDERING INFORMATION

(Please quote 10 digit code as below)

| E0460 | QC | 45 | E |
|-----------------|--------------------|---|----------------------------|
| Fixed Type Code | Fixed outline code | Fixed voltage code $V_{RRM}/100$ 45 | Fixed code, product series |

 Order code: E0460QC45E – 4500V V_{RRM} , 26mm clamp height capsule.

IXYS UK Westcode Ltd
 Langley Park Way, Langley Park,
 Chippenham, Wiltshire,
 SN15 1GE
 Tel: +44 (0)1249 444524
 Fax: +44 (0)1249 659448
 E-mail:
<https://www.littelfuse.com/contactus.aspx>


www.littelfuse.com
www.littelfuse.com/products/power-semiconductors/high-power

IXYS Long Beach
 IXYS Long Beach, Inc
 2500 Mira Mar Ave,
 Long Beach
 CA 90815
 Tel: +1 (562) 296 6584
 Fax: +1 (562) 296 6585
 E-mail: service@ixyslongbeach.com

The information contained herein is confidential and is protected by Copyright. The information may not be used or disclosed except with the written permission of and in the manner permitted by the proprietors IXYS UK Westcode Ltd.

© IXYS UK Westcode Ltd.

In the interest of product improvement, IXYS UK Westcode Ltd reserves the right to change specifications at any time without prior notice.
 Devices with a suffix code (2-letter, 3-letter or letter/digit/letter combination) added to their generic code are not necessarily subject to the conditions and limits contained in this report.

**Disclaimer Notice**

Information furnished is believed to be accurate and reliable. However, users should independently evaluate the suitability of and test each product selected for their own applications. Littelfuse products are not designed for, and may not be used in, all applications. Read complete Disclaimer Notice at www.littelfuse.com/disclaimer-electronics