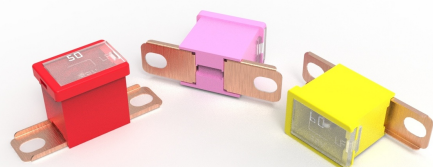


# PAL Fuses - 283 Series

## Rated 32 V DC

RoHS



PAL Fuses - 283 Series

### Specifications

|                                     |                 |
|-------------------------------------|-----------------|
| <b>Voltage Rating:</b>              | 32 V DC         |
| <b>Current Cycling:</b>             | 24°C            |
| <b>Operating Temperature Range:</b> | -40°C to +125°C |
| <b>Complies with</b>                | JASO 0612       |

### Description

Many Japanese automakers use 283 Series Auto Link PAL fuses as original equipment. These 32 V bolt-down cartridge fuses withstand extreme temperatures while protecting circuits for alternators and starters. During tests, each 283 Series PAL fuse met its performance requirements when receiving 50 % of its ampere rating for 10 000 cycles when current flowed for 5 minutes and was shut off for 10 minutes. The tests were conducted while the temperature of the bolt-down cartridge fuse was 24 °C.

### Features & Benefits

- Color coding indicates ampere rating
- Two mounting holes ensure secure mounting
- Transparent covers make it easier to see when fuses blow

### Applications

- Cars made in Japan and the United States

### Ordering Information

| Part Number | Package Size |
|-------------|--------------|
| 0283xxx.H   | 100          |
| 0283xxx.U   | 500          |
| 0283xxx.MXJ | 1000         |

# PAL Fuses - 283 Series

Rated 32 V DC

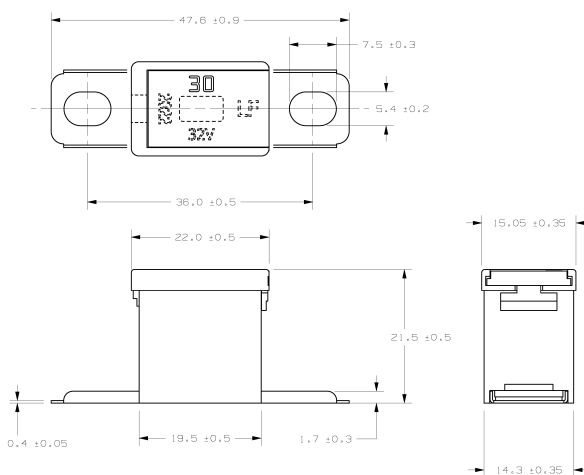
## Ratings

| Part Number | Current Rating (A) | Body Color    |
|-------------|--------------------|---------------|
| 0283030_    | 30                 | PINK          |
| 0283040_    | 40                 | GREEN         |
| 0283050_    | 50                 | RED           |
| 0283060_    | 60                 | YELLOW        |
| 0283070_    | 70                 | BROWN         |
| 0283080_    | 80                 | BLACK         |
| 0283100_    | 100                | BLUE          |
| 0283120_    | 120                | WHITE         |
| 0283140_    | 140                | REDDISH BROWN |

(Average Initial Measurements)

## Dimensions

Dimensions in mm



# PAL Fuses - 283 Series

Rated 32 V DC

## Time-Current Characteristics

| % of Rating | Opening Time Min / Max (s) |
|-------------|----------------------------|
| 110         | 14,400                     |
| 200         | 5 / 100                    |
| 350         | 0.2 / 7                    |
| 600         | 0.040 / 1                  |