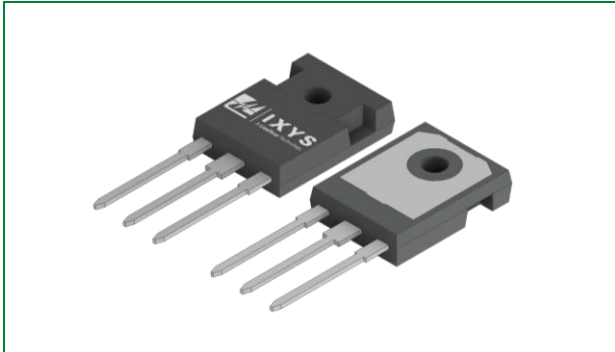


LSIC2SD120E30CCA
1200 V, 2 x 15 A SiC Schottky Barrier Diode



Product Summary

Characteristic	Value	Unit
V_{RRM}	1200	V
$I_F (T_c \leq 135\text{ }^\circ\text{C})$	21	A
$Q_c (V_R: 0 - 800\text{ V})$	91	nC

Note: I_F and Q_c shown is the per leg rating

Features

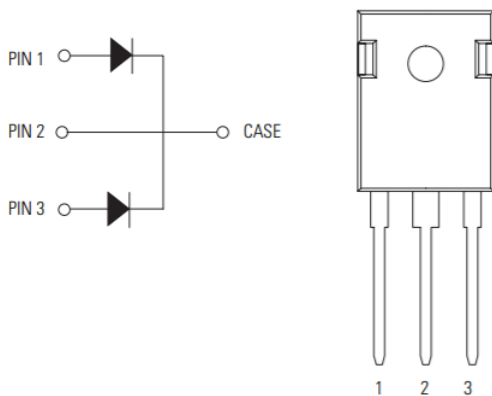
- AEC-Q101 qualified
- Positive temperature coefficient for safe operation and ease of paralleling
- 175 °C maximum operating junction temperature
- Excellent surge capability
- Extremely fast, temperature-independent switching behavior
- Dramatically reduced switching losses compared to Si bipolar diodes
- RoHS compliant, lead-free, and halogen-free

Agency Approvals and Environmental

Environmental Approvals



Pinout Diagram TO-247-3L



Applications

- Boost diodes in PFC or DC/DC stages
- Switch-mode power supplies
- Solar inverters
- Uninterruptable power supplies
- Industrial motor drives
- Battery chargers
- High speed rectifier

- 1. Maximum Ratings.....3
- 2. Thermal Characteristics3
- 3. Electrical Characteristics (Per Leg, $T_J = 25\text{ }^\circ\text{C}$ unless otherwise specified).....3
- 4. Performance Curves4
- 5. Diode V_F Model for Simulation5
- 6. Package Dimensions6
- 7. Part Numbering and Marking.....7
- 8. Packing Options7
- 9. Packing Specifications7

1. Maximum Ratings

Characteristic	Symbol	Conditions	Value	Unit
Repetitive Peak Reverse Voltage	V_{RRM}	-	1200	V
DC Blocking Voltage	V_R	-	1200	V
Continuous Forward Current (Per Leg/Per Component)	I_F	$T_C = 25\text{ }^\circ\text{C}$	45 / 90	A
		$T_C = 135\text{ }^\circ\text{C}$	21 / 42	
		$T_C = 152\text{ }^\circ\text{C}$	15 / 30	
Non-repetitive Forward Surge Current (Per Leg)	I_{FSM}	$T_C = 25\text{ }^\circ\text{C}$, $t_p = 10\text{ ms}$, Half sine pulse	120	A
I^2t (Per Leg)	$\int I^2 dt$	$T_C = 25\text{ }^\circ\text{C}$, $t_p = 10\text{ ms}$, Half sine pulse	72	A ² s
Power Dissipation (Per Leg/Per Component)	P_{Tot}	$T_C = 25\text{ }^\circ\text{C}$	205 / 410	W
		$T_C = 110\text{ }^\circ\text{C}$	89 / 178	
Operating Junction Temperature	T_J	-	-55 to 175	$^\circ\text{C}$
Storage Temperature	T_{STG}	-	-55 to 150	$^\circ\text{C}$
Lead Temperature for Soldering	T_{SOLD}	-	260	$^\circ\text{C}$
Mounting Torque	M_D	M3 or 6-32 screw	1.0	Nm
			8.8	In-lb

2. Thermal Characteristics

Characteristic	Symbol	Value	Unit
Maximum Thermal Resistance, junction-to-case (Per Leg/Per Component)	$R_{thJC, max}$	0.73 / 0.37	$^\circ\text{C/W}$

3. Electrical Characteristics (Per Leg, $T_J = 25\text{ }^\circ\text{C}$ unless otherwise specified)

Characteristic	Symbol	Conditions	Value			Unit
			Min	Typ	Max	
Forward Voltage	V_F	$I_F = 15\text{ A}$, $T_J = 25\text{ }^\circ\text{C}$	-	1.5	1.8	V
		$I_F = 15\text{ A}$, $T_J = 175\text{ }^\circ\text{C}$	-	2.0	-	
Reverse Current	I_R	$V_R = 1200\text{ V}$, $T_J = 25\text{ }^\circ\text{C}$	-	<1.0	100	μA
		$V_R = 1200\text{ V}$, $T_J = 175\text{ }^\circ\text{C}$	-	5.0	-	
Total Capacitance	C	$V_R = 1\text{ V}$, $f = 1\text{ MHz}$	-	920	-	pF
		$V_R = 400\text{ V}$, $f = 1\text{ MHz}$	-	88	-	
		$V_R = 800\text{ V}$, $f = 1\text{ MHz}$	-	64	-	
Total Capacitive Charge	Q_C	$V_R = 800\text{ V}$, $Q_C = \int C(V) dV$	-	91	-	nC
Capacitance Stored Energy	E_C	$V_R = 800\text{ V}$	-	21	-	μJ

4. Performance Curves

Figure 1. Typical Forward Characteristics (Per Leg)

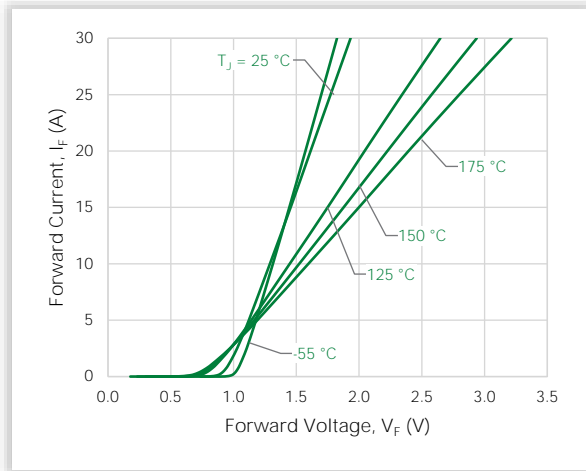


Figure 2. Typical Reverse Characteristics (Per Leg)

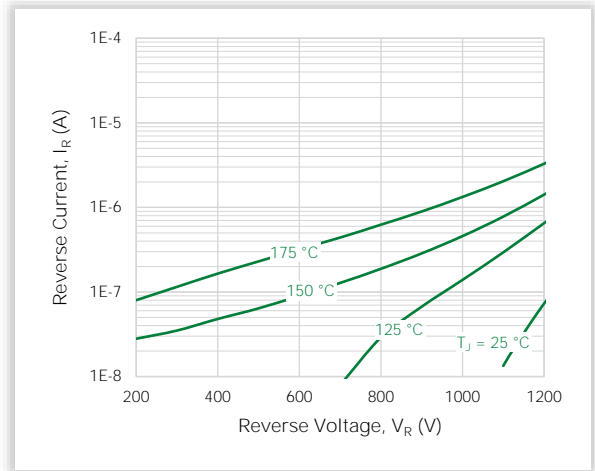


Figure 3. Power Derating (Per Leg)

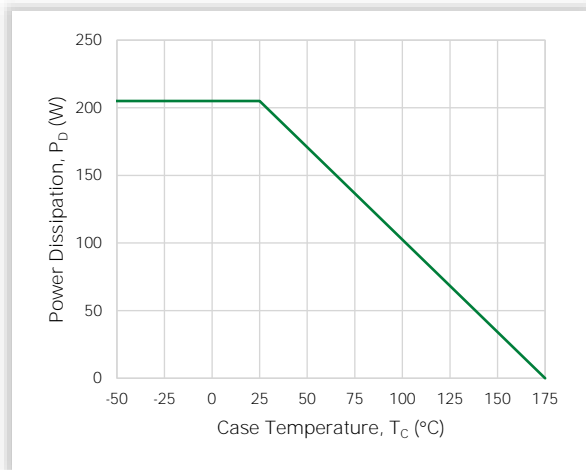


Figure 4. Current Derating (Per Leg)

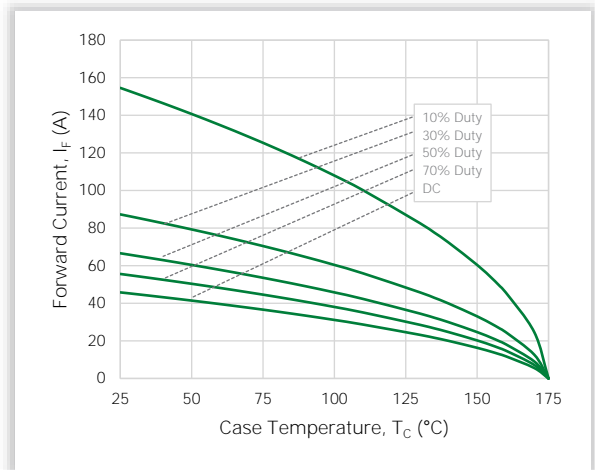


Figure 5. Capacitance vs. Reverse Voltage (Per Leg)

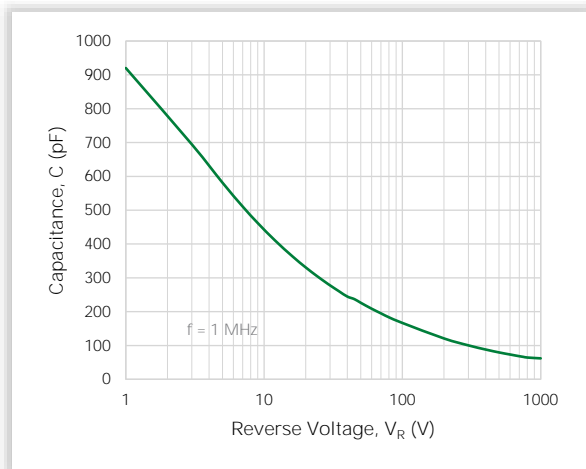


Figure 6. Capacitive Charge vs. Reverse Voltage (Per Leg)

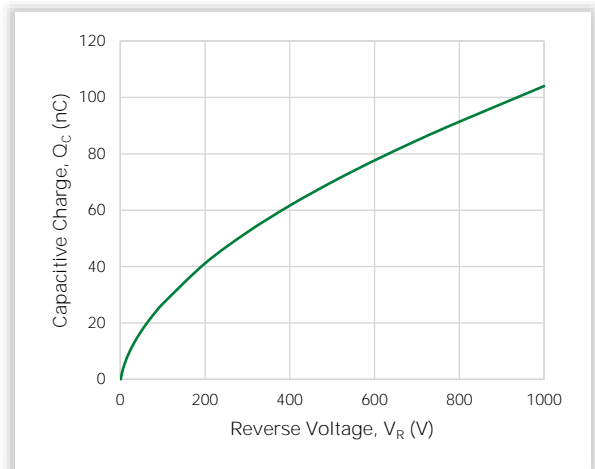


Figure 7. Stored Energy vs. Reverse Voltage (Per Leg)

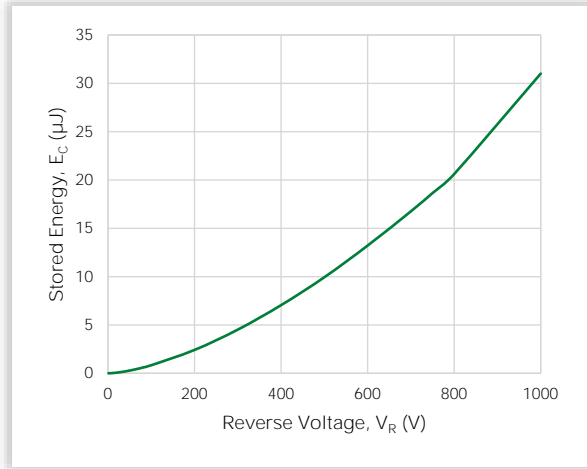
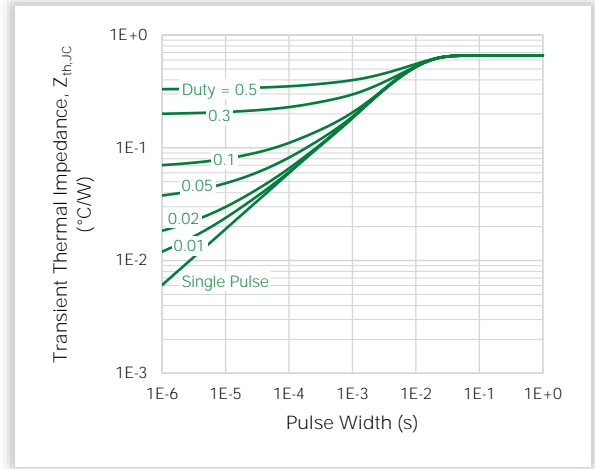
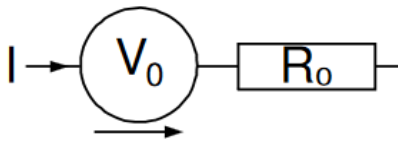


Figure 8. Transient Thermal Impedance (Per Leg)



5. Diode V_F Model for Simulation



$$V_F(T_J) = V_0 + IR_0$$

$$V_0 = -1.21 \times 10^{-3} \cdot T_J + 9.91 \times 10^{-1}$$

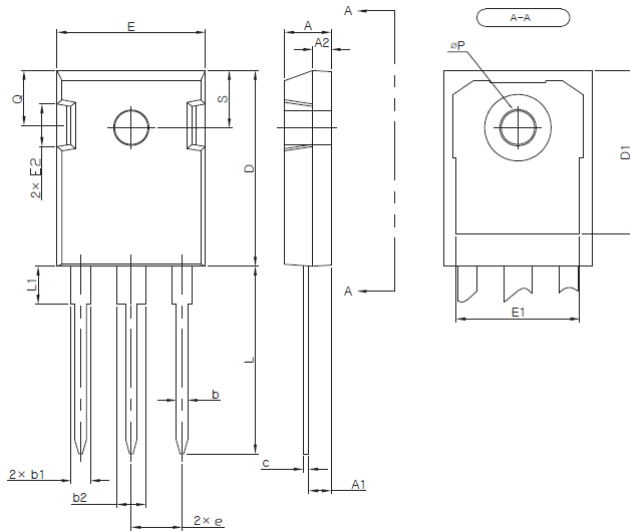
$$R_0 = 8.50 \times 10^{-7} \cdot T_J^2 + 1.55 \times 10^{-4} \cdot T_J + 2.81 \times 10^{-2}$$

Notes:

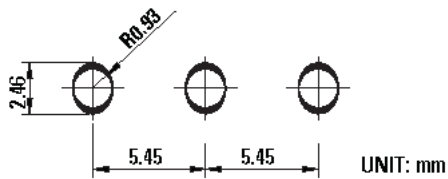
- T_J is junction temperature in °C
- Range valid from 25 °C to 175 °C
- Model represents performance of a typical part per leg

6. Package Dimensions

TO-247-3L Package



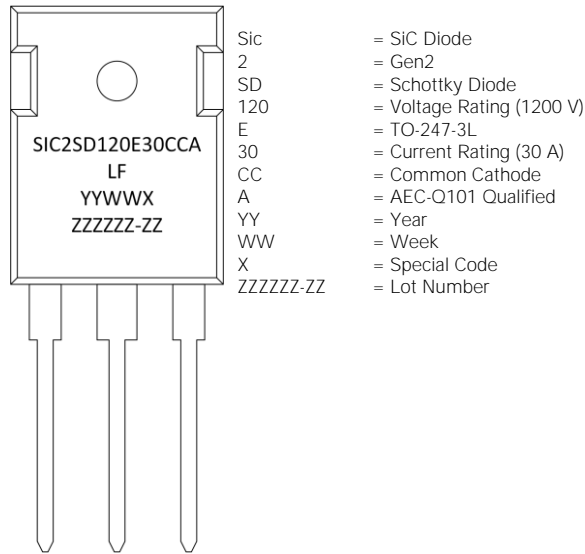
Recommended Hole Pattern Layout



Symbol	Millimeters		
	Min	Nom	Max
A	4.80	5.00	5.20
A1	2.29	2.41	2.54
A2	1.90	2.00	2.10
b	1.10	1.20	1.30
b1	1.91	2.10	2.20
b2	2.92	3.10	3.20
c	0.50	0.60	0.70
D	20.80	21.07	21.34
D1	17.43	17.63	17.83
E	15.75	15.94	16.13
E1	13.06	13.26	13.46
E2	4.32	4.58	4.83
e	5.45 BSC		
L	19.81	20.19	20.57
L1	3.81	4.07	4.32
øP	3.55	3.60	3.65
Q	5.59	5.90	6.20
S	6.15 BSC		

Note: These dimensions do not include mold protrusions

7. Part Numbering and Marking

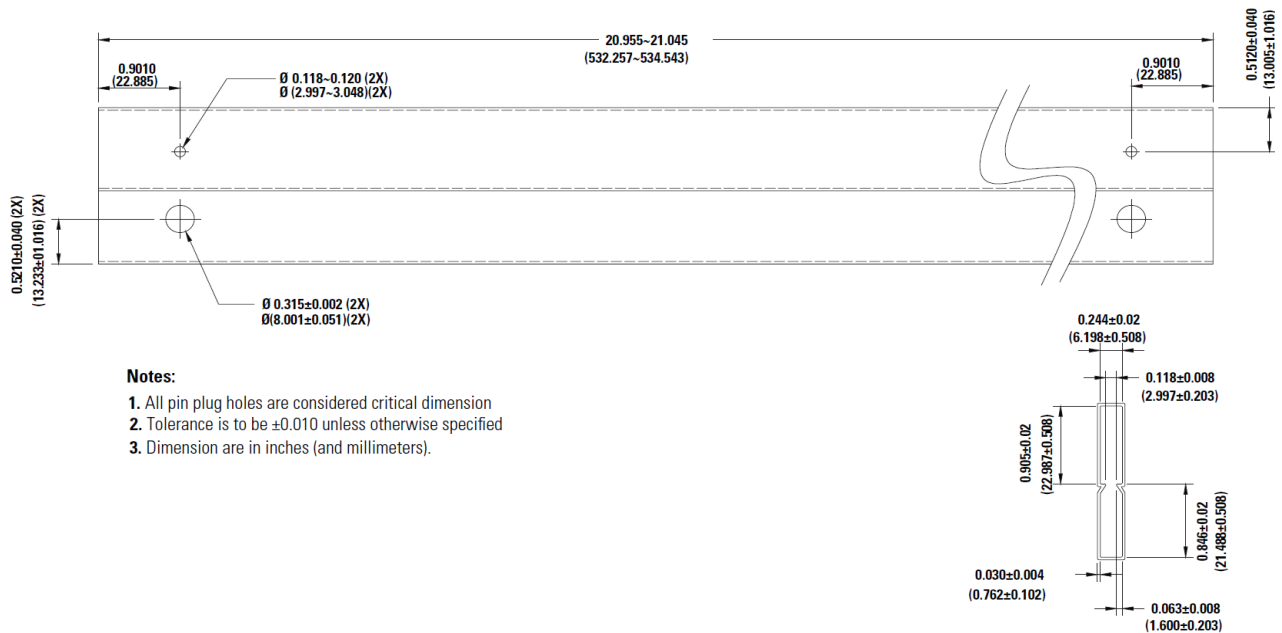


8. Packing Options

Part Number	Marking	Packing Mode	M.O.Q.
LSIC2SD120E30CCA	SIC2SD120E30CCA	Tube (30 pcs)	450

9. Packing Specifications

Tube for TO-247-3L



- Notes:**
1. All pin plug holes are considered critical dimension
 2. Tolerance is to be ±0.010 unless otherwise specified
 3. Dimension are in inches (and millimeters).

For additional information please visit www.Littelfuse.com/powersemi

Disclaimer Notice - Littelfuse products are not designed for, and shall not be used for, any purpose (including, without limitation, automotive, military, aerospace, medical, life-saving, life-sustaining or nuclear facility applications, devices intended for surgical implant into the body, or any other application in which the failure or lack of desired operation of the product may result in personal injury, death, or property damage) other than those expressly forth in applicable Littelfuse product documentation. Littelfuse shall not be liable for any claims or damages arising out of products used in applications not expressly intended by Littelfuse as set forth in applicable Littelfuse documentation.

Read complete Disclaimer Notice at www.littelfuse.com/disclaimer-electronics