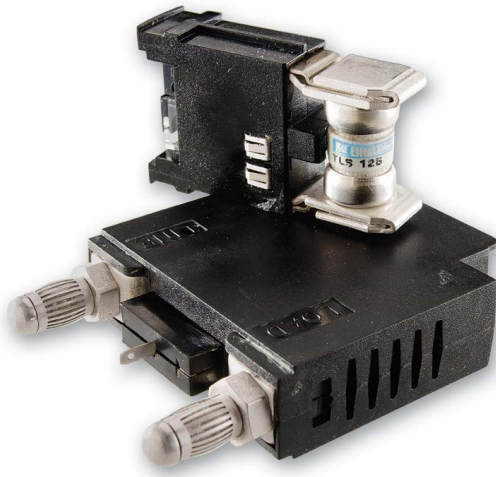


# LTFD 101 SERIES TELCOM DISCONNECT SWITCH

80 Vdc • 1-125 A



## Specifications

<b>Voltage Rating</b>	80 Vdc
<b>Ampere Range</b>	1–125 A
<b>Approvals</b>	UL Recognized (File: E122674)
<b>Flammability Rating</b>	UL 94 V-0

## Recommended Fuses

Littelfuse TLS Series fuses

## Ordering Information

SERIES	AMPERAGE	CATALOG NUMBER	ORDERING NUMBER	TERMINAL TYPE
LTFD	125 A MAX	LTFD101-1	LTFD0101ZX1	BULLET
LTFD	125 A MAX	LTFD101-2	LTFD0101ZX2	SCREW
LTFD	125 A MAX	LTFD101-3	LTFD0101ZX3	STUD
LTFD	70 A MAX	LTFD101-4	LTFD0101ZX4	CLIP

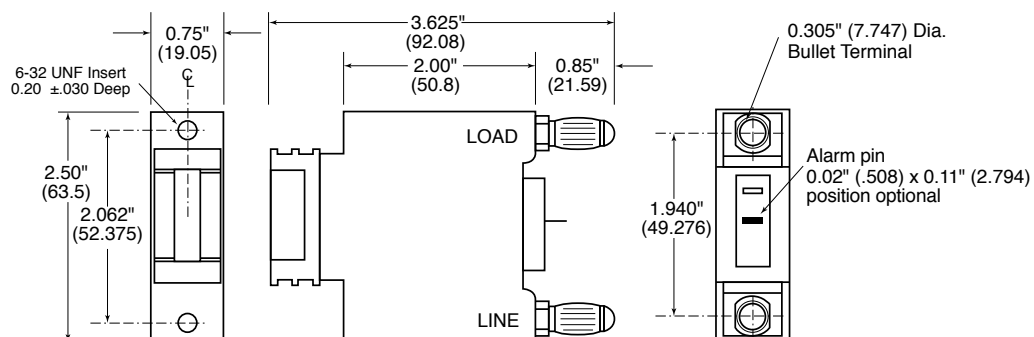
## Description

Littelfuse compact LTFD 101 fuse holders for TLS fuses are designed for quick installation into telecom equipment panels. Their modular design fits into spaces originally designed for circuit breakers and can be front panel mounted or rear mounted using bullet connectors. The innovative new pull-out design eliminates the need for tools to replace fuses and includes an alarm signaling circuit to identify the blown fuse.

## Features

- Extremely compact
- Quick mounting
- Replaces circuit breakers
- Includes alarm signaling circuit

## Dimensions Inches (mm)

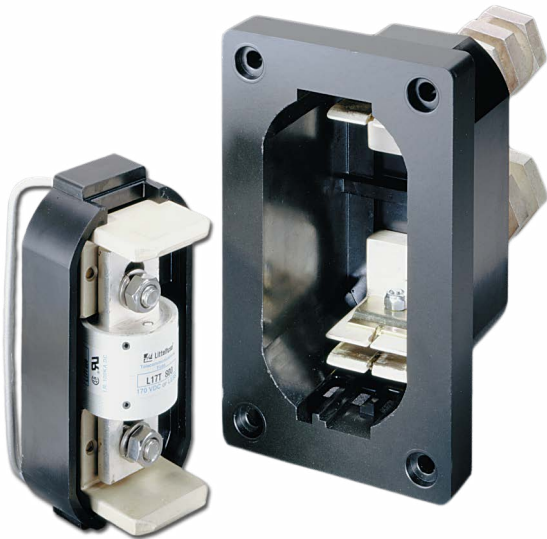


Dimensions for reference only. For additional options and dimensions, contact the factory.

**Disclaimer Notice** – Information furnished is believed to be accurate and reliable. However, users should independently evaluate the suitability of and test each product selected for their own applications. Littelfuse products are not designed for, and may not be used in, all applications. Read complete Disclaimer Notice at [www.littelfuse.com/product-disclaimer](http://www.littelfuse.com/product-disclaimer).

# LTFD 6001 & 1200 SERIES TELCOM DISCONNECT SWITCH

145 Vdc • 60 Vdc • 70-1200 A



## Description

Littelfuse compact LTFD Series holders are designed for use as a combination fuseholder and disconnect switch for telecommunications equipment. The rugged unit utilizes a pull-out fuse carrier to safely disconnect power and provide easy fuse replacement.

## Features

- Innovative Pullout design of the 1200 A eliminates the need for tools to replace the fuse
- Thermoplastic housing material
- Alarm signaling circuit

## Specifications

<b>Voltage Rating</b>	145 Vdc (70 – 600 A) 60 Vdc (800 – 1200 A)
<b>Ampere Range</b>	70 – 1200 A
<b>Approvals</b>	UL Recognized (File: E122674)
<b>Flammability Rating</b>	UL 94 V-0

## Recommended Fuses

Littelfuse L17T Series fuses

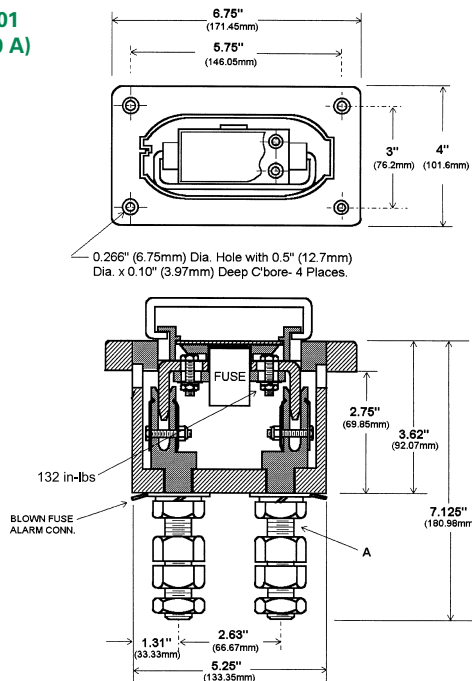
## Ordering Information

SERIES	AMPERAGE	CATALOG NUMBER	STUD SIZE	CONTACT NUT TORQUE
LTFD	70 – 600	LTFD6001-00	3/4 – 16 x 3.5 in	100 ft-lb
LTFD	70 – 800	LTFD6001-01	7/8 – 14 x 3.5 in	120 ft-lb
LTFD	900 – 1200	LTFD1200-01	1.12 – 12 x 4 in	120 ft-lb
LTFD	900 – 1200	LTFD1200-01A	1.12 – 12 x 4 in	120 ft-lb

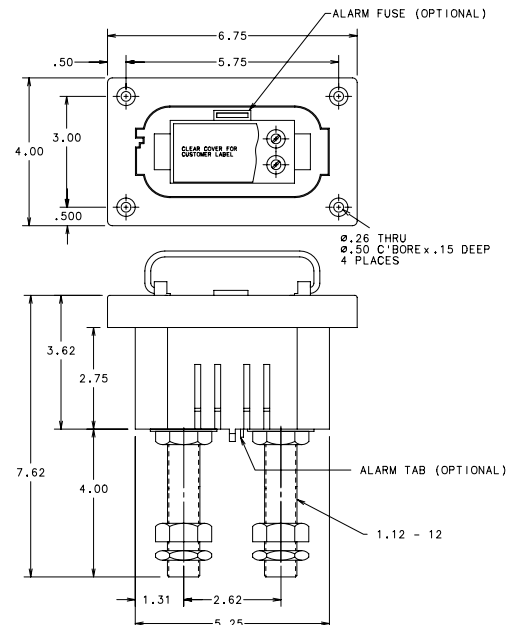
## Web Resources

For additional information, visit: [littelfuse.com/ltdf](http://littelfuse.com/ltdf)

### LTFD 6001 (70 – 800 A)



### LTFD 1200 (900 – 1200 A)



**Disclaimer Notice** – Information furnished is believed to be accurate and reliable. However, users should independently evaluate the suitability of and test each product selected for their own applications. Littelfuse products are not designed for, and may not be used in, all applications. Read complete Disclaimer Notice at [www.littelfuse.com/product-disclaimer](http://www.littelfuse.com/product-disclaimer).